

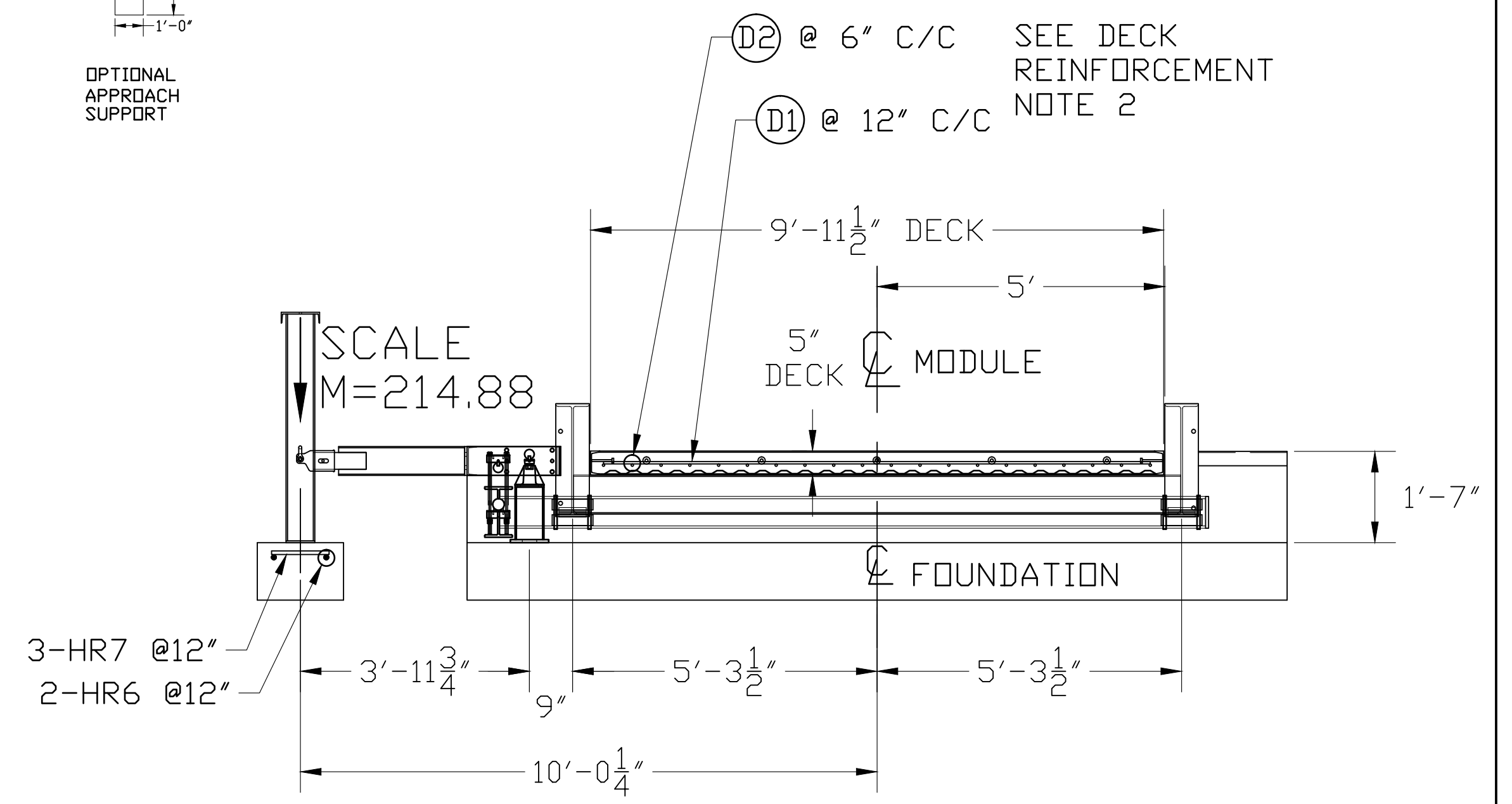
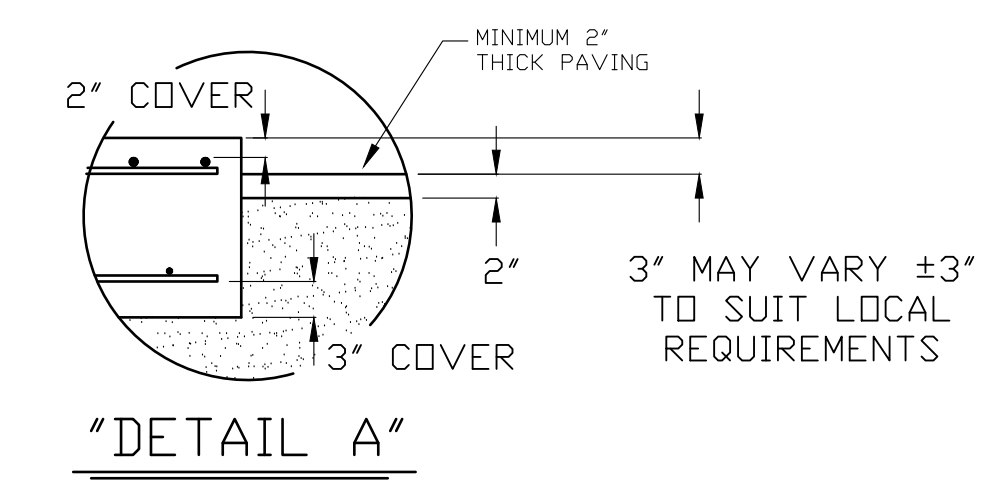
DRILL TYPE ANCHOR INFORMATION
(DRILL TYPE ANCHORS PROVIDED WITH THE SCALE)
FOR THE CORNER STANDS (12 REQUIRED)
FOR THE FULCRUM & LC STANDS (8 REQUIRED)
5/8" DIA X 6" STUD TYPE ANCHORS
DRILL DIA 5/8", DRILL DEPTH 3 1/2"

ANCHOR DETAIL

REMOVE TOP SOIL. NOTE: THE SUBGRADE MUST BE FIRM AND UNYIELDING. COMPACT IF NECESSARY. BACKFILL WITH THE BEST AVAILABLE MATERIAL. AGGREGATE PREFERRED. COMPACT AS REQUIRED.

OPTIONAL PAVED SURFACE (NON-LOAD BEARING) CONCRETE OR ASPHALT BETWEEN PIERS TO FACILITATE CLEANING. A 12" FREE DRAINING GRAVEL SUB-BASE RECOMMENDED IN AREAS SUBJECT TO FROST HEAVE.

TYPICAL SIDE ELEVATION OF SCALE INSTALLATION



NOTES:

- FOUNDATION DESIGN IS BASED ON A MINIMUM SOIL BEARING CAPACITY OF 3000 LB/SQ. FT. FOR SOIL CONDITIONS WHICH DO NOT MEET THIS SPECIFICATION, CONSULT WITH THE THURMAN SCALE COMPANY.
- THE FOUNDATION SHALL BE INSTALLED AT AN ELEVATION AND LOCATION TO INSURE ADEQUATE DRAINAGE AWAY FROM SCALE. A PERIMETER TRENCH AND AGGREGATE BASE MAY BE ADDED IF DRAINAGE IS NOT SUFFICIENT TO MAINTAIN 3000 LB/SQ. FT. BEARING CAPACITY.
- BOTTOM OF FOOTERS SHOULD EXTEND BELOW THE FROST LINE. AN 18 INCH FOOTER DEPTH IS MINIMUM.
- N.I.S.T. H-44 REQUIREMENTS AND LOCAL WEIGHTS AND MEASURES REGULATIONS MAY REQUIRE INSTALLATION PARAMETERS SOMEWHAT DIFFERENT THAN ILLUSTRATED ON THIS PLAN. IN ORDER TO INSURE COMPLIANCE, CONSULT THE LOCAL WEIGHTS & MEASURES OFFICE PRIOR TO CONSTRUCTION.
- CONCRETE OF 4000 PSI MINIMUM COMPRESSIVE STRENGTH IS REQUIRED, WITH 5-7% AIR ENTRAINMENT. VIBRATE CONCRETE WHEN POURING. FOLLOW LATEST ACI REQUIREMENTS FOR MATERIALS AND CONSTRUCTION. DO NOT CAST UNLESS TEMPERATURE IS ABOVE 40 DEGREES FAHRENHEIT.
- PIERS MUST BE LEVEL AND IN THE SAME PLANE WITHIN ±1/8 INCH.
- EXCAVATION, FORMS, REINFORCING STEEL, GUARD POSTS, AND CONCRETE FURNISHED BY OTHERS.
- DO NOT PLACE REBAR IN CLOSE PROXIMITY OF ANCHOR BOLTS.

MODULE REBAR SCHEDULE
ASTM A615 GRADE 60

MODULE	MARK	QTY.	SIZE	LENGTH	WT.	REMARKS
30"x10"	D1	62	#4	9'-6"	394	(31) EA. MODULE LAT.
	D2	40	#4	29'-6"	789	(20) EA. MODULE LONG.
TOTAL WT.						1183

FOUNDATION REBAR SCHEDULE
ASTM A615 GRADE 60

MARK	QTY.	SIZE	LENGTH	WT.	REMARKS
HR1	30	#4	9'-6"	191	(15) EA. APPROACH LONG.
HR2	79	#4	14'-0"	739	(14) EA. APPROACH LAT; (17) EA. PIER LAT.
HR3	90	#4	3'-0"	181	(30) EA. PIER LONG.
HR4	2	#4	10'-0"	14	(2) DUAL FULCRUM PIER LONG.
HR5	9	#4	1'-4"	8	(3) EA. FULCRUM PIER LAT.
HR6	4	#4	2'-0"	6	(2) EA. FULCRUM PIER & LC PIER LONG.
HR7	3	#4	1'-0"	3	(3) LC PIER LAT.
VR1	60	#4	2'-9"	111	(30) EA. END WALL VERTICAL
TOTAL WT.					1253

REINFORCING STEEL NOTES:

- REINFORCING STEEL SHALL BE FREE OF ALL MUD, DEBRIS, CEMENT GROUT, LOOSE RUST, GREASE, AND OIL.
- TACK WELDING OF BARS IS PROHIBITED.

CONCRETE REQUIREMENTS
4000 PSI

AREA	QTY. (CU. YDS.)	
PIERS AS SHOWN	8.5	
APPROACHES	9	
FLOOR AT 2" THICK	5	
MODULES	11.5	
OPTIONAL APPROACH SUPPORTS	3	
TOTAL		37.0

THIS DRAWING IS SUPPLIED AS CHECKED BELOW:
 REFERENCE (ESTIMATES ONLY, NOT FOR CONSTRUCTION)
 CERTIFIED FOR CONSTRUCTION, THURMAN #
 CUSTOMER: _____ DATE: _____
 CUSTOMER APPROVAL, RETURN ONE COPY.
 (ORDER ON HOLD UNTIL SIGNED COPY IS RETURNED)
 APPROVED AS DRAWN, APPROVED BY: _____ DATE: _____
 APPROVED AS NOTED, APPROVED BY: _____ DATE: _____

LET	BY	DATE	REVISION

THURMAN SCALE
COLUMBUS, OH

8130 60K CLC
60' X 10' FOOTINGS
FOUNDATION (3 SECTION)

DATE: 10/23/12
SCALE: N/A
DRAWN BY: JCR
CHECKED BY: LC
APPROVED BY: LC

SHEET 1 OF 1
MODEL: _____
DRAWING NUMBER: 92481-FT0
REVISION: 0

UNLESS OTHERWISE SPECIFIED DIMENSIONS ARE IN INCHES TOLERANCES: FINISHES ±1/8" ANGLES ±1" 2-PLACE DECIMAL #3/32" HOLE DIMETERS #7/32"

MATERIAL: A36 FINISH: N/A