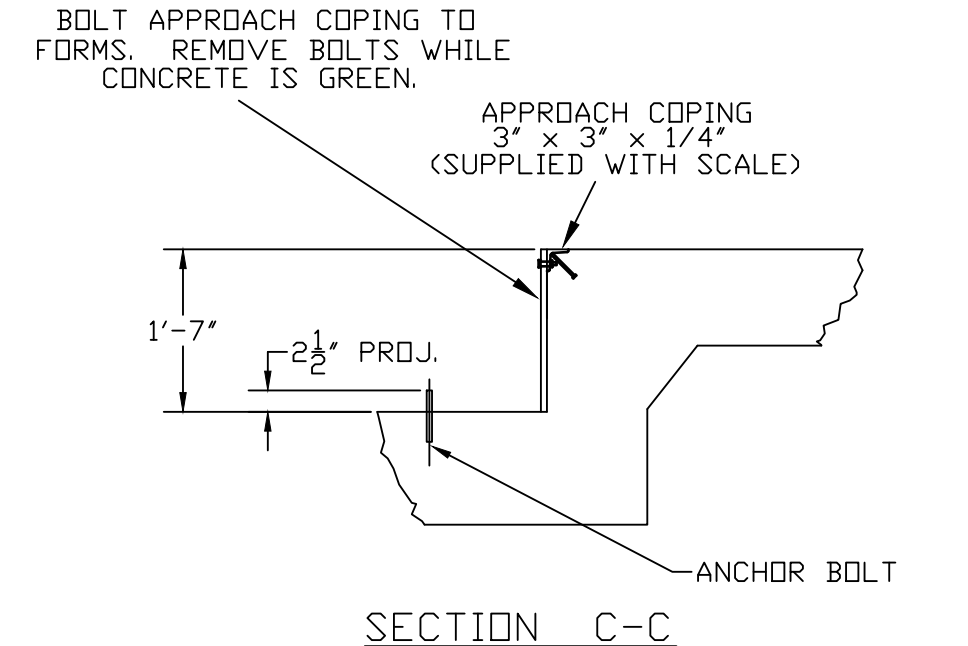
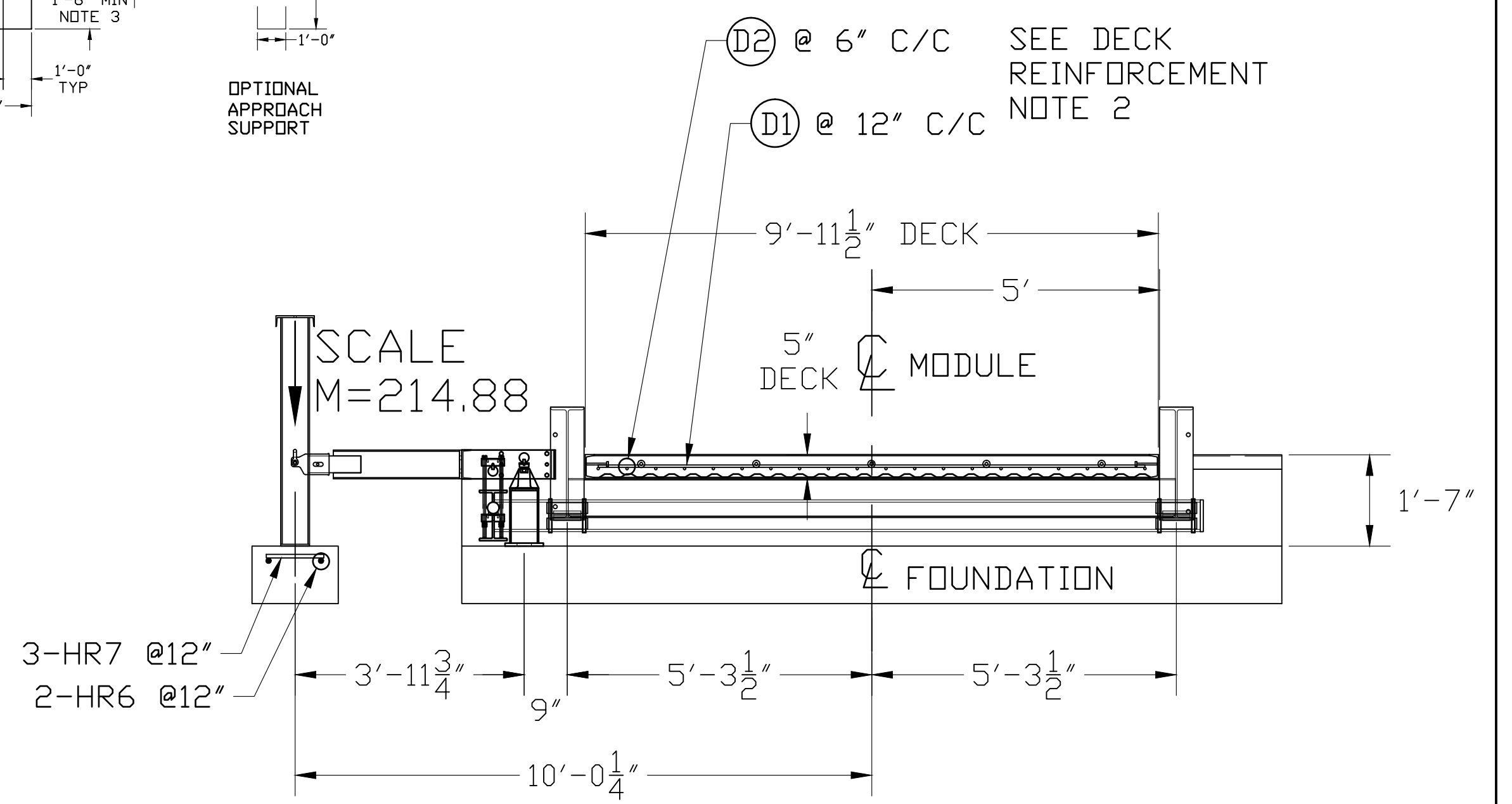
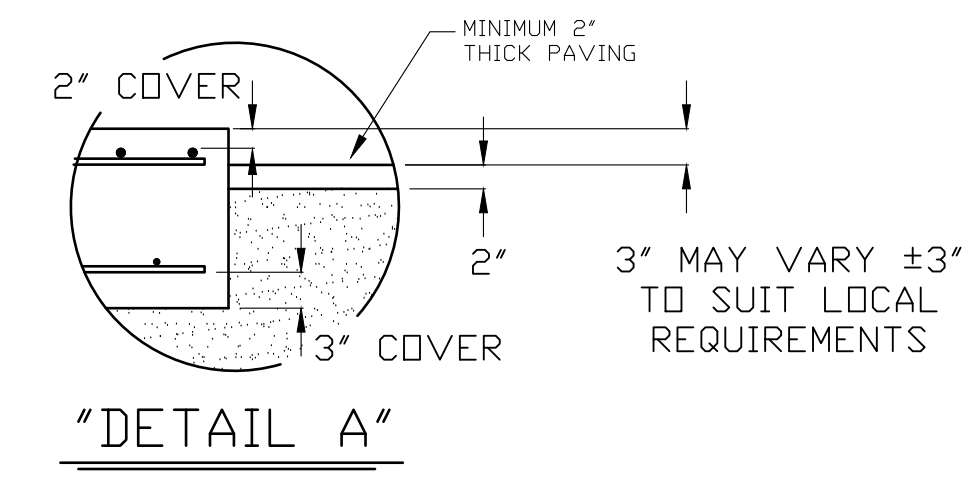


N.I.S.T. H-44 REQUIRES THAT ON THE APPROACH ENDS OF THIS VEHICLE SCALE, THERE SHALL BE A STRAIGHT APPROACH AT LEAST HALF THE LENGTH OF THE PLATFORM, BUT NOT REQUIRED TO EXCEED 40 FEET. NOT LESS THAN 10 FEET OF ANY APPROACH ADJACENT TO THE PLATFORM SHALL BE LEVEL AND CONSTRUCTED OF CONCRETE OR SIMILAR DURABLE MATERIAL. ANY SLOPE IN THE REMAINING PORTION OF THE APPROACH SHALL INSURE EASE OF VEHICLE ACCESS, EASE FOR TESTING PURPOSES, AND DRAINAGE AWAY FROM THE SCALE.



DRILL TYPE ANCHOR INFORMATION
(DRILL TYPE ANCHORS PROVIDED WITH THE SCALE)
FOR THE CORNER STANDS (16 REQUIRED)
FOR THE FULCRUM & LC STANDS (10 REQUIRED)
5/8" DIA X 6" STUD TYPE ANCHORS
DRILL DIA 5/8", DRILL DEPTH 3 1/2"
ANCHOR DETAIL

TYPICAL SIDE ELEVATION OF SCALE INSTALLATION



MODULE REBAR SCHEDULE
ASTM A615 GRADE 60

MODULE	MARK	QTY.	SIZE	LENGTH	WT.	REMARKS
20'x10'	D1	21	#4	9'-6"	134	(21) EA. MODULE LAT.
	D2	20	#4	19'-6"	261	(20) EA. MODULE LONG.
25'x10'	D1	52	#4	9'-6"	330	(26) EA. MODULE LAT.
	D2	40	#4	24'-6"	655	(20) EA. MODULE LONG.
TOTAL WT.						1380

FOUNDATION REBAR SCHEDULE
ASTM A615 GRADE 60

MARK	QTY.	SIZE	LENGTH	WT.	REMARKS	
HR1	30	#4	9'-6"	191	(15) EA. APPROACH LONG.	
HR2	96	#4	14'-0"	898	(14) EA. APPROACH LAT.; (17) EA. PIER LAT.	
HR3	120	#4	3'-0"	241	(30) EA. PIER LONG.	
HR4	2	#4	5'-0"	7	(2) DUAL FULCRUM PIER LONG.	
HR5	12	#4	1'-4"	11	(3) EA. FULCRUM PIER LAT.	
HR6	6	#4	2'-0"	9	(2) EA. FULCRUM PIER & LC PIER LONG.	
HR7	3	#4	1'-0"	3	(3) LC PIER LAT.	
VR1	60	#4	2'-9"	111	(30) EA. END WALL VERTICAL	
TOTAL WT.						1471

CONCRETE REQUIREMENTS
4000 PSI

AREA	QTY. (CU. YDS.)
PIERS AS SHOWN	11.5
APPROACHES	9
FLOOR AT 2" THICK	5.5
MODULES	13
OPTIONAL APPROACH SUPPORTS	3
TOTAL	42.0

REINFORCING STEEL NOTES:
1. REINFORCING STEEL SHALL BE FREE OF ALL MUD, DEBRIS, CEMENT GROUT, LOOSE RUST, GREASE, AND OIL.
2. TACK WELDING OF BARS IS PROHIBITED.

- NOTES:
- FOUNDATION DESIGN IS BASED ON A MINIMUM SOIL BEARING CAPACITY OF 3000 LB/SQ. FT. FOR SOIL CONDITIONS WHICH DO NOT MEET THIS SPECIFICATION, CONSULT WITH THE THURMAN SCALE COMPANY.
 - THE FOUNDATION SHALL BE INSTALLED AT AN ELEVATION AND LOCATION TO INSURE ADEQUATE DRAINAGE AWAY FROM SCALE. A PERIMETER TRENCH AND AGGREGATE BASE MAY BE ADDED IF DRAINAGE IS NOT SUFFICIENT TO MAINTAIN 3000 LB/SQ. FT. BEARING CAPACITY.
 - BOTTOM OF FOOTERS SHOULD EXTEND BELOW THE FROST LINE. AN 18 INCH FOOTER DEPTH IS MINIMUM.
 - N.I.S.T. H-44 REQUIREMENTS AND LOCAL WEIGHTS AND MEASURES REGULATIONS MAY REQUIRE INSTALLATION PARAMETERS SOMEWHAT DIFFERENT THAN ILLUSTRATED ON THIS PLAN. IN ORDER TO INSURE COMPLIANCE, CONSULT THE LOCAL WEIGHTS & MEASURES OFFICE PRIOR TO CONSTRUCTION.
 - CONCRETE OF 4000 PSI MINIMUM COMPRESSIVE STRENGTH IS REQUIRED, WITH 5-7% AIR ENTRAINMENT. VIBRATE CONCRETE WHEN POURING. FOLLOW LATEST ACI REQUIREMENTS FOR MATERIALS AND CONSTRUCTION. DO NOT CAST UNLESS TEMPERATURE IS ABOVE 40 DEGREES FAHRENHEIT.
 - PIERS MUST BE LEVEL AND IN THE SAME PLANE WITHIN ±1/8 INCH.
 - EXCAVATION, FORMS, REINFORCING STEEL, GUARD POSTS, AND CONCRETE FURNISHED BY OTHERS.
 - DO NOT PLACE REBAR IN CLOSE PROXIMITY OF ANCHOR BOLTS.

THIS DRAWING IS SUPPLIED AS CHECKED BELOW:
 REFERENCE (ESTIMATES ONLY, NOT FOR CONSTRUCTION)
 CERTIFIED FOR CONSTRUCTION, THURMAN #
 CUSTOMER: _____ DATE: _____
 CUSTOMER APPROVAL, RETURN ONE COPY.
 (ORDER ON HOLD UNTIL SIGNED COPY IS RETURNED)
 APPROVED AS DRAWN, APPROVED BY: _____ DATE: _____
 APPROVED AS NOTED, APPROVED BY: _____ DATE: _____

LET	BY	DATE	REVISION

THURMAN SCALE
COLUMBUS, OH

8130 60K CLC
70' X 10' FOOTINGS
FOUNDATION (4 SECTION)

DATE: 10/23/12
SCALE: N/A SHEET 1 OF 1
DRAWN BY: JCR MODEL: _____
CHECKED BY: _____ DRAWING NUMBER: 92482-FT REVISION: 0
APPROVED BY: _____

UNLESS OTHERWISE SPECIFIED DIMENSIONS ARE IN INCHES TOLERANCES FRACTIONS ±1/8" ANGLES ±1° DECIMALS ±0.005 2-PLACE DECIMAL ±0.02 3-PLACE DECIMAL ±0.005 3-PLACE DECIMAL ±0.02

MATERIAL: A36 FINISH: N/A