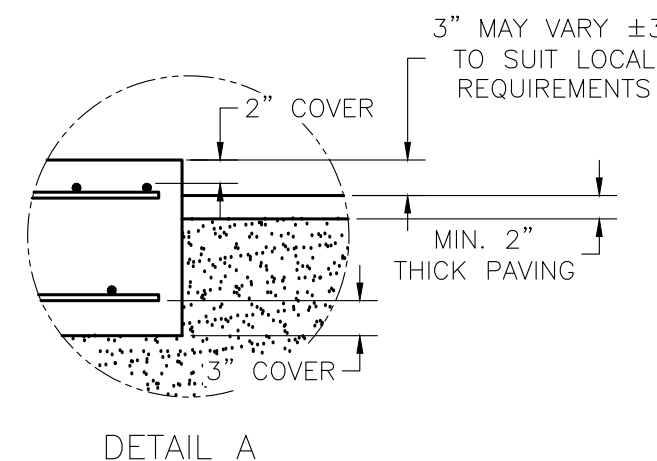


DRILL TYPE ANCHOR INFORMATION
(DRILL TYPE ANCHORS PROVIDED WITH THE SCALE)

FOR THE CORNER STANDS (12 REQUIRED)
FOR THE FULCRUM & LC STANDS (8 REQUIRED)
5/8 DIA X 6\"/>



REMOVE TOP SOIL. NOTE: THE SUBGRADE MUST BE FIRM AND UNYIELDING. COMPACT IN NECESSARY. BACKFILL WITH THE BEST AVAILABLE MATERIAL. AGGREGATE PREFERRED. COMPACT AS REQUIRED.

OPTIONAL PAVED SURFACE (NON-LOAD BEARING) CONCRETE OR ASPHALT BETWEEN PIERS TO FACILITATE CLEANING. A 12\"/>

NOTES:

- FOUNDATION DESIGN IS BASED ON A MINIMUM SOIL BEARING CAPACITY OF 3000 LB/SQ. FT. FOR SOIL CONDITIONS WHICH DO NOT MEET THIS SPECIFICATION, CONSULT WITH THE THURMAN SCALE COMPANY.
- THE FOUNDATION SHALL BE INSTALLED AT AN ELEVATION AND LOCATION TO INSURE ADEQUATE DRAINAGE AWAY FROM SCALE. A PERIMETER TRENCH AND AGGREGATE BASE MAY BE ADDED IF DRAINAGE IS NOT SUFFICIENT TO MAINTAIN 3000 LB/SQ. FT. BEARING CAPACITY.
- BOTTOM OF FOOTERS SHOULD EXTEND BELOW THE FROST LINE. AN 18 INCH FOOTER DEPTH IS MINIMUM.
- N.I.S.T. H-44 REQUIREMENTS AND LOCAL WEIGHTS AND MEASURES REGULATIONS MAY REQUIRE INSTALLATION PARAMETERS SOMEWHAT DIFFERENT THAN ILLUSTRATED ON THIS PLAN. IN ORDER TO INSURE COMPLIANCE, CONSULT THE LOCAL WEIGHTS & MEASURES OFFICE PRIOR TO CONSTRUCTION.
- CONCRETE OF 4000 PSI MINIMUM COMPRESSIVE STRENGTH IS REQUIRED, WITH 5-7% AIR ENTRAINMENT. VIBRATE CONCRETE WHEN POURING. FOLLOW LATEST ACI REQUIREMENTS FOR MATERIALS AND CONSTRUCTION. DO NOT CAST UNLESS TEMPERATURE IS ABOVE 40 DEGREES FAHRENHEIT.
- PIERS MUST BE LEVEL AND IN THE SAME PLANE WITHIN ±1/8 INCH.
- EXCAVATION, FORMS, REINFORCING STEEL, GUARD POSTS, AND CONCRETE FURNISHED BY OTHERS.
- DO NOT PLACE REBAR IN CLOSE PROXIMITY OF ANCHOR BOLTS.

DECK REINFORCEMENT

- CORRUGATED PAN SHOULD RUN WITH THE LENGTH OF THE SCALE ACROSS THE CROSSBEAMS. RECOMMENDED SIZE: 22GA, 6\"/>

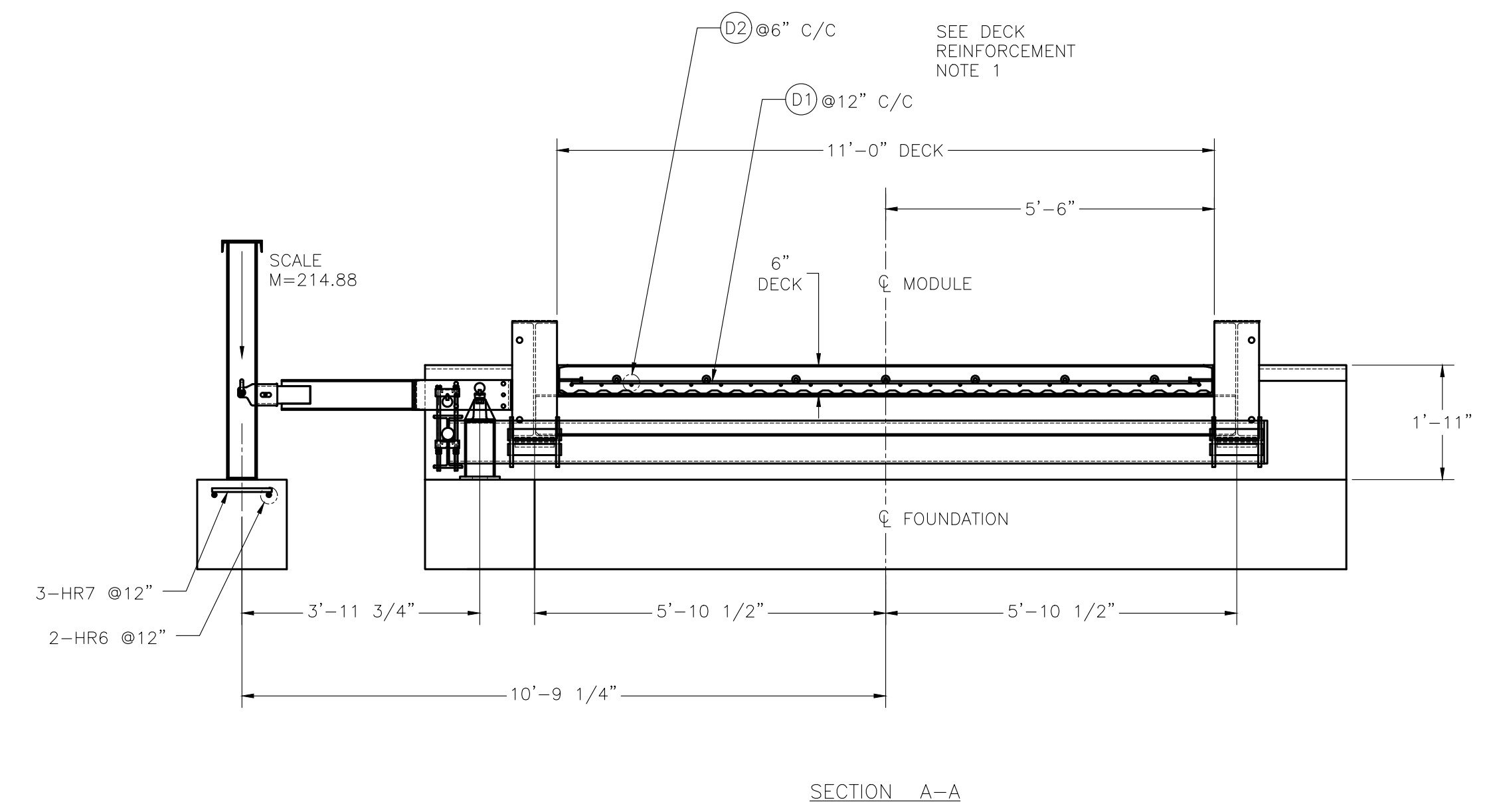
MODULE REINFORCING SCHEDULE						
ASTM 615 - GRADE 60						
MODULE	MARK	QTY	SIZE	LENGTH	WEIGHT (LBS)	COMMENT
(2) 30'x11'	D1	62	#4	10'-6"	435	(31) LAT. EA. MODULE
	D2	44	#4	29'-6"	868	(22) LONG. EA. MODULE
					TOTAL WEIGHT	1,303

FOUNDATION REINFORCING SCHEDULE						
ASTM 615 - GRADE 60						
MARK	QTY	SIZE	LENGTH	WEIGHT (LBS)	COMMENT	
HR1	30	#4	9'-6"	191	LONG. EA. APPROACH	
HR2	79	#4	14'-11"	788	LAT. EA. APPROACH; PIER	
HR3	90	#4	3'-0"	181	LONG. EA. PIER	
HR4	2	#4	10'-0"	14	LONG. DUAL FULCRUM PIER	
HR5	9	#4	1'-4"	9	LAT. EA. FULCRUM PIER	
HR6	4	#4	2'-0"	6	LONG. EA. FULCRUM PIER; LC PIER	
HR7	3	#4	1'-0"	2	LAT. LOAD CELL PIER	
VR1	60	#4	3'-1"	124	VERT. EA. END WALL	
					TOTAL WEIGHT	1,314

FOUNDATION CONCRETE		
4000 PSI MINIMUM		
LOCATION	QTY (CU. YDS)	
PIERS AS SHOWN	10.6	
FLOOR AT 2" THICK	5.0	
APPROACHES	10.0	
MODULES	12.4	
OPTIONAL APPROACH SUPPORTS	3.2	
TOTAL CONCRETE	41.1	

CONCRETE POURING & FINISHING INSTRUCTIONS FOR SCALE DECK:
1. FINISH THE CONCRETE DECK WITH A BULL FLOAT AND HAND TROWEL OR BROOM TO THE DESIRED FINISH.
2. THE CONCRETE IS TO BE MOIST CURED FOR SEVEN DAYS OR MAY ALTERNATIVELY RECEIVE A COAT OF LIQUID CURING COMPOUND.
3. DO NOT USE OR CALIBRATE THE SCALE UNTIL THE DECK IS CURED AND HAS REACHED 4000 PSI MINIMUM COMPRESSIVE STRENGTH.

REINFORCING STEEL NOTES:
1. REINFORCING STEEL SHALL BE FREE OF ALL MUD, DEBRIS, CEMENT GROUT, LOOSE RUST, GREASE, AND OIL.
2. TACK WELDING OF BARS IS PROHIBITED.



THIS DRAWING IS SUPPLIED AS CHECKED BELOW:
 REFERENCE (ESTIMATES ONLY, NOT FOR CONSTRUCTION)
 CERTIFIED FOR CONSTRUCTION, THURMAN SERIAL#
 CUSTOMER: _____ DATE: _____
 CUSTOMER APPROVAL, RETURN ONE COPY.
 (ORDER ON HOLD UNTIL SIGNED COPY IS RETURNED)
 APPROVED AS DRAWING, APPROVED BY: _____ DATE: _____
 APPROVED AS NOTED, APPROVED BY: _____ DATE: _____

REVISIONS			
REV	BY	DATE	DESCRIPTION
1	JCR	5/21/2015	UPDATED ANCHOR LOCATIONS FOR LARGER CORNER STANDS (8" WAS 6")

8130 90K 60'x11'
(PIER TYPE FOUNDATION, 3 SEC)

THURMAN SCALE
SCALE: NTS DRAWN: JCR CHECKED: _____
SHEET: 1 OF 1 DATE: 01/20/12 APPROVED: _____
DRAWING NUMBER: 92666-FT REV: 1