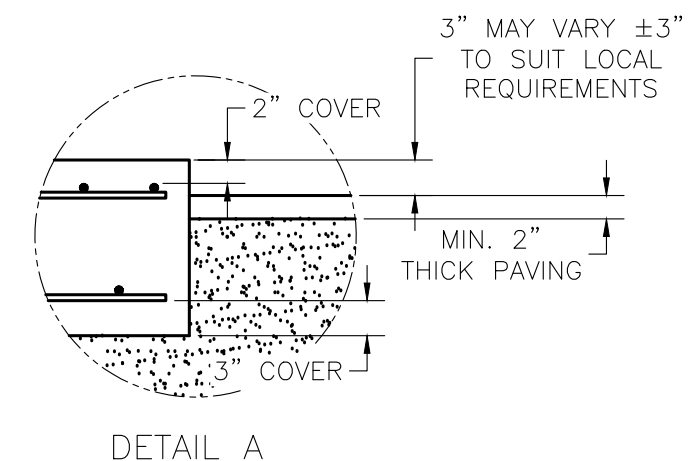


DRILL TYPE ANCHOR INFORMATION  
(DRILL TYPE ANCHORS PROVIDED WITH THE SCALE)  
FOR THE CORNER STANDS (12 REQUIRED)  
FOR THE FULCRUM & LC STANDS (8 REQUIRED)  
5/8 DIA X 6" STUD TYPE ANCHORS  
DRILL DIA 5/8", DRILL DEPTH 3 1/2"



REMOVE TOP SOIL. NOTE: THE SUBGRADE MUST BE FIRM AND UNYIELDING. COMPACT IN NECESSARY. BACKFILL WITH THE BEST AVAILABLE MATERIAL. AGGREGATE PREFERRED. COMPACT AS REQUIRED.

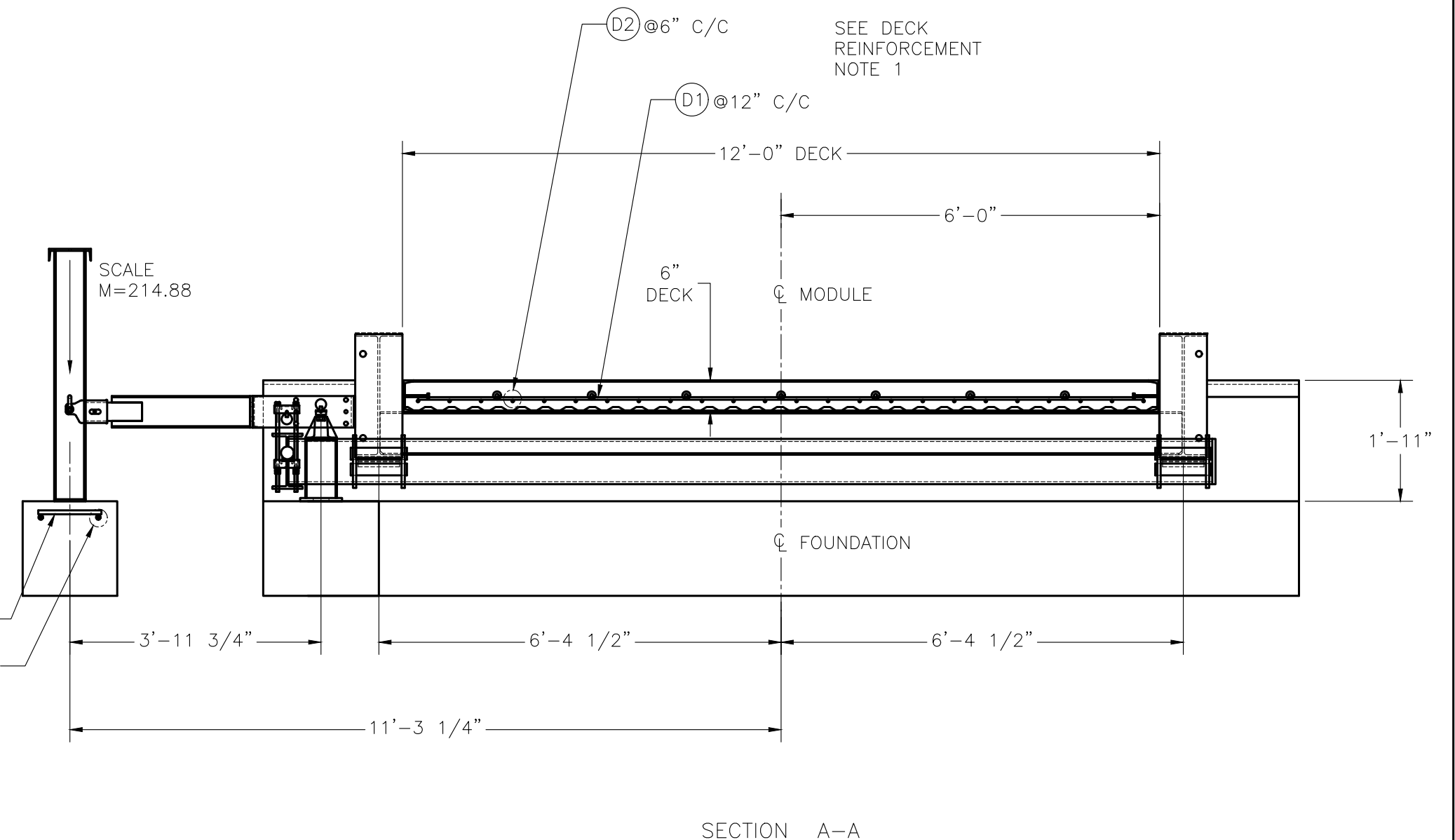
OPTIONAL PAVED SURFACE (NON-LOAD BEARING) CONCRETE OR ASPHALT BETWEEN PIERS TO FACILITATE CLEANING. A 12" FREE DRAINING GRAVEL SUB-BASE RECOMMENDED IN AREAS SUBJECT TO FROST HEAVE.

**NOTES:**

- FOUNDATION DESIGN IS BASED ON A MINIMUM SOIL BEARING CAPACITY OF 3000 LB/SQ. FT. FOR SOIL CONDITIONS WHICH DO NOT MEET THIS SPECIFICATION, CONSULT WITH THE THURMAN SCALE COMPANY.
- THE FOUNDATION SHALL BE INSTALLED AT AN ELEVATION AND LOCATION TO INSURE ADEQUATE DRAINAGE AWAY FROM SCALE. A PERIMETER TRENCH AND AGGREGATE BASE MAY BE ADDED IF DRAINAGE IS NOT SUFFICIENT TO MAINTAIN 3000 LB/SQ. FT. BEARING CAPACITY.
- BOTTOM OF FOOTERS SHOULD EXTEND BELOW THE FROST LINE. AN 18 INCH FOOTER DEPTH IS MINIMUM.
- N.I.S.T. H-44 REQUIREMENTS AND LOCAL WEIGHTS AND MEASURES REGULATIONS MAY REQUIRE INSTALLATION PARAMETERS SOMEWHAT DIFFERENT THAN ILLUSTRATED ON THIS PLAN. IN ORDER TO INSURE COMPLIANCE, CONSULT THE LOCAL WEIGHTS & MEASURES OFFICE PRIOR TO CONSTRUCTION.
- CONCRETE OF 4000 PSI MINIMUM COMPRESSIVE STRENGTH IS REQUIRED, WITH 5-7% AIR ENTRAINMENT. VIBRATE CONCRETE WHEN POURING. FOLLOW LATEST ACI REQUIREMENTS FOR MATERIALS AND CONSTRUCTION. DO NOT CAST UNLESS TEMPERATURE IS ABOVE 40 DEGREES FAHRENHEIT.
- PIERS MUST BE LEVEL AND IN THE SAME PLANE WITHIN ±1/8 INCH.
- EXCAVATION, FORMS, REINFORCING STEEL, GUARD POSTS, AND CONCRETE FURNISHED BY OTHERS.
- DO NOT PLACE REBAR IN CLOSE PROXIMITY OF ANCHOR BOLTS.

**DECK REINFORCEMENT**

- CORRUGATED PAN SHOULD RUN WITH THE LENGTH OF THE SCALE ACROSS THE CROSSBEAMS. RECOMMENDED SIZE: 22GA, 6" PITCH, 1 1/2" MAX. CORRUGATE HEIGHT IF SUPPLIED WITH OPTIONAL REBAR MAT, TIE BELOW STUDS. IF REINFORCEMENT SUPPLIED BY OTHERS, PLACE D2 BARS ON THE PAN BEFORE TYING TWO OF THE D1 BARS TO THE BOTTOM OF THE STUDS. THEN TIE REMAINING D1 BARS TO THE TOP OF THE D2 BARS.
- POUR CONCRETE. SEE NOTE 5 ABOVE.
- CAUTION! THE MAIN GIRDERS SHOULD NEVER BE USED AS A STEP. SLIPPERY WHEN WET.



MODULE REINFORCING SCHEDULE ASTM 615 - GRADE 60						
MODULE	MARK	QTY	SIZE	LENGTH	WEIGHT (LBS)	COMMENT
(2) 30'x12'	D1	62	#4	11'-6"	477	(31) LAT. EA. MODULE
	D2	48	#4	29'-6"	946	(24) LONG. EA. MODULE
TOTAL WEIGHT					1,423	

FOUNDATION REINFORCING SCHEDULE ASTM 615 - GRADE 60						
MARK	QTY	SIZE	LENGTH	WEIGHT (LBS)	COMMENT	
HR1	32	#4	9'-6"	204	LONG. EA. APPROACH	
HR2	79	#4	15'-11"	840	LAT. EA. APPROACH; PIER	
HR3	96	#4	3'-0"	192	LONG. EA. PIER	
HR4	2	#4	10'-0"	14	LONG. DUAL FULCRUM PIER	
HR5	9	#4	1'-4"	9	LAT. EA. FULCRUM PIER	
HR6	4	#4	2'-0"	6	LONG. EA. FULCRUM PIER; LC PIER	
HR7	3	#4	1'-0"	2	LAT. LOAD CELL PIER	
VR1	64	#4	3'-1"	132	VERT. EA. END WALL	
TOTAL WEIGHT					1,400	

FOUNDATION CONCRETE 4000 PSI MINIMUM		
LOCATION	QTY (CU. YDS)	
PIERS AS SHOWN	11.2	
FLOOR AT 2" THICK	5.3	
APPROACHES	10.6	
MODULES	13.5	
OPTIONAL APPROACH SUPPORTS	3.4	
<b>TOTAL CONCRETE</b>	<b>44</b>	

**CONCRETE POURING & FINISHING INSTRUCTIONS FOR SCALE DECK:**  
1. FINISH THE CONCRETE DECK WITH A BULL FLOAT AND HAND TROWEL OR BROOM TO THE DESIRED FINISH.  
2. THE CONCRETE IS TO BE MOIST CURED FOR SEVEN DAYS OR MAY ALTERNATIVELY RECEIVE A COAT OF LIQUID CURING COMPOUND.  
3. DO NOT USE OR CALIBRATE THE SCALE UNTIL THE DECK IS CURED AND HAS REACHED 4000 PSI MINIMUM COMPRESSIVE STRENGTH.

**REINFORCING STEEL NOTES:**  
1. REINFORCING STEEL SHALL BE FREE OF ALL MUD, DEBRIS, CEMENT GROUT, LOOSE RUST, GREASE, AND OIL.  
2. TACK WELDING OF BARS IS PROHIBITED.

THIS DRAWING IS SUPPLIED AS CHECKED BELOW:  
 REFERENCE (ESTIMATES ONLY, NOT FOR CONSTRUCTION)  
 CERTIFIED FOR CONSTRUCTION, THURMAN SERIAL#  
CUSTOMER: \_\_\_\_\_ DATE: \_\_\_\_\_  
 CUSTOMER APPROVAL, RETURN ONE COPY.  
(ORDER ON HOLD UNTIL SIGNED COPY IS RETURNED)  
 APPROVED AS DRAWING, APPROVED BY: \_\_\_\_\_ DATE: \_\_\_\_\_  
 APPROVED AS NOTED, APPROVED BY: \_\_\_\_\_ DATE: \_\_\_\_\_

REVISIONS			
REV	BY	DATE	DESCRIPTION
1	JCR	5/21/2015	UPDATED ANCHOR LOCATIONS FOR LARGER CORNER STANDS (8" WAS 6")

8130 90K 60'x12'  
(PIER TYPE FOUNDATION, 3 SEC)

**THURMAN SCALE**  
SCALE: NTS DRAWN: JCR CHECKED: \_\_\_\_\_  
SHEET: 1 OF 1 DATE: 01/20/12 APPROVED: \_\_\_\_\_  
DRAWING NUMBER: 92673-FT REV: 1