

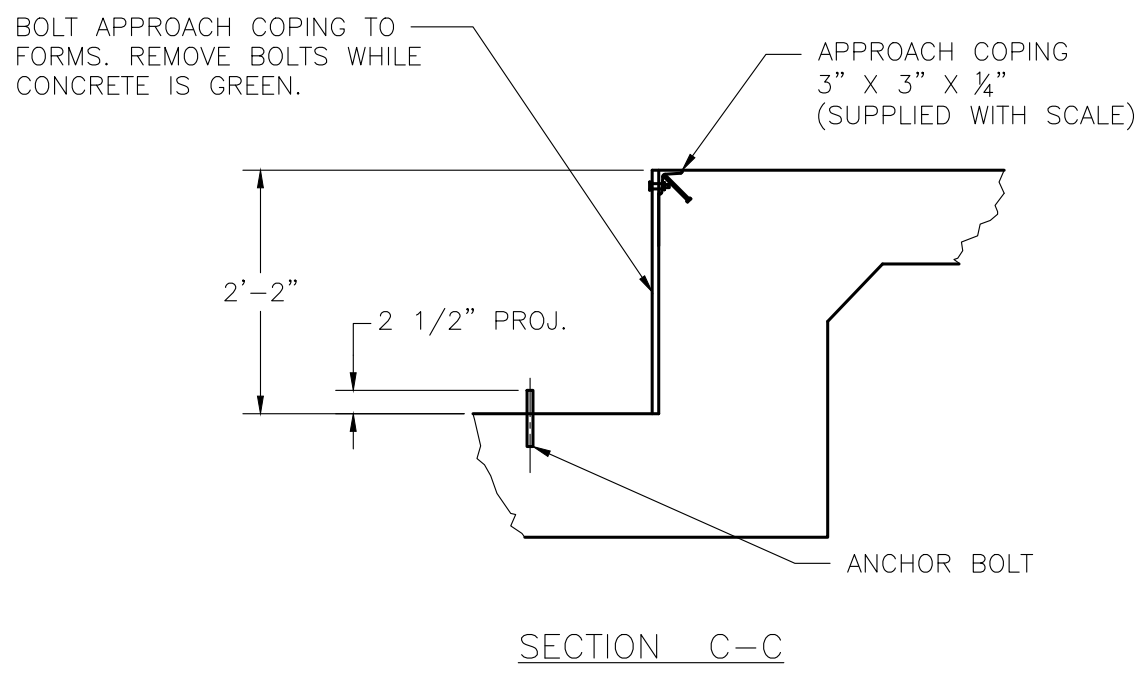
N.I.S.T. H-44 REQUIRES THAT ON THE APPROACH ENDS OF THIS VEHICLE SCALE, THERE SHALL BE A STRAIGHT APPROACH AT LEAST HALF THE LENGTH OF THE PLATFORM, BUT NOT REQUIRED TO BE MORE THAN 40 FEET. NOT LESS THAN 10 FEET OF ANY APPROACH ADJACENT TO THE PLATFORM SHALL BE LEVEL AND CONSTRUCTED OF CONCRETE OR SIMILAR DURABLE MATERIAL. ANY SLOPE IN THE REMAINING PORTION OF THE APPROACH SHALL INSURE EASE OF VEHICLE ACCESS, EASE FOR TESTING PURPOSES, AND DRAINAGE AWAY FROM THE SCALE.

FOUNDATION REINFORCING SCHEDULE					
ASTM 615 - GRADE 60					
MARK	QTY	SIZE	LENGTH	WEIGHT (LBS)	COMMENT
HR1	34	#4	9'-6"	216	LONG. EA. APPROACH
HR2	104	#4	16'-0"	1112	LAT. EA. APPROACH; PIER
HR3	102	#4	4'-6"	307	LONG. EA. PIER
HR4	12	#4	1'-0"	9	LAT. EA. FULCRUM PIER; LC PIER
HR5	2	#4	10'-0"	14	LONG. DUAL FULCRUM PIER
HR6	4	#4	2'-0"	6	LONG. EA. FULCRUM PIER, LC PIER
VR1	68	#4	3'-2"	144	VERT. EA. END WALL
TOTAL WEIGHT				1,808	

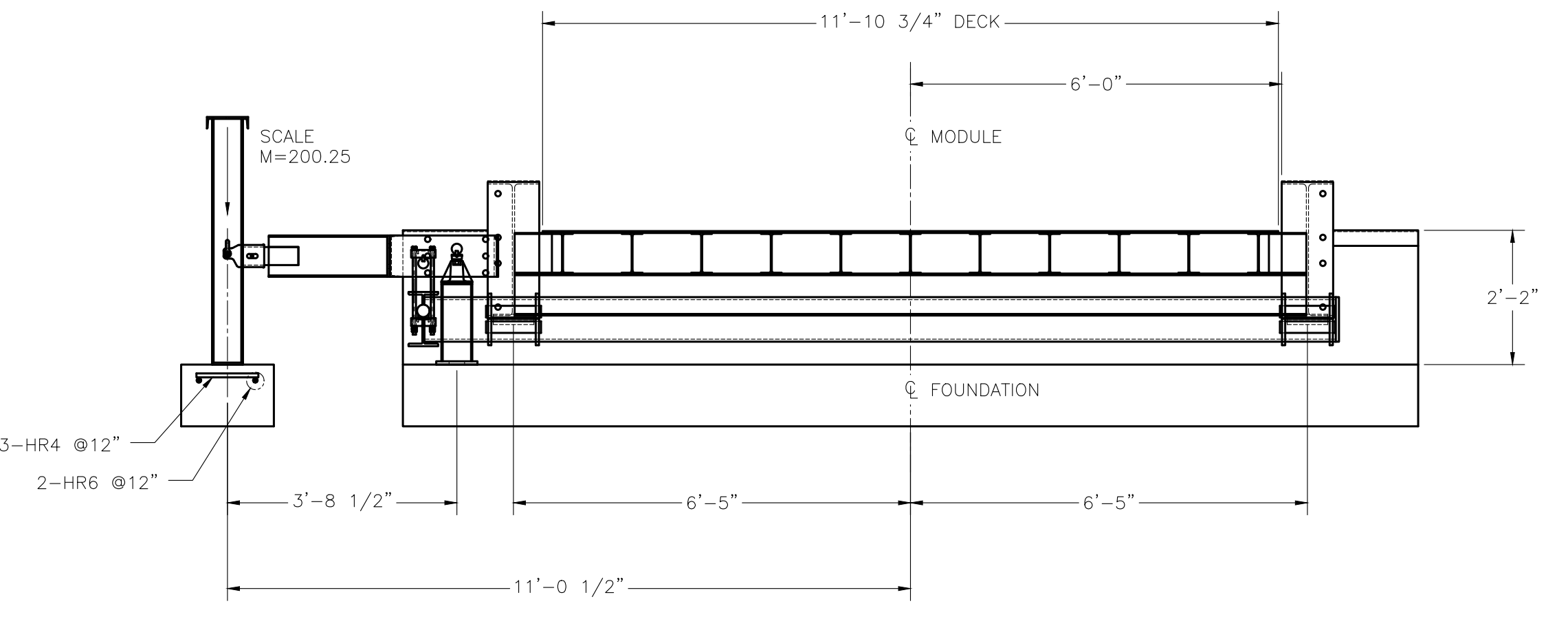
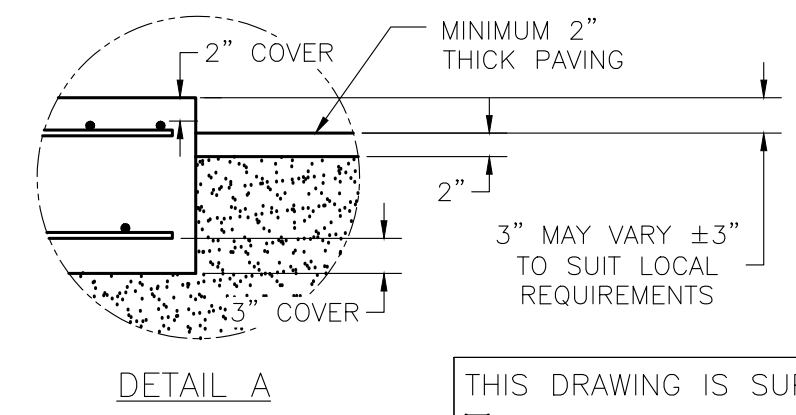
**REINFORCING STEEL NOTES:**  
 1. REINFORCING STEEL SHALL BE FREE OF ALL MUD, DEBRIS, CEMENT GROUT, LOOSE RUST, GREASE, AND OIL.  
 2. TACK WELDING OF BARS IS PROHIBITED.

FOUNDATION CONCRETE	
4000 PSI MINIMUM	
LOCATION	QTY (CU. YDS)
PIERS AS SHOWN	15.4
FLOOR AT 2" THICK	4.9
APPROACHES	12.7
OPTIONAL APPROACH SUPPORTS	3.5
<b>TOTAL CONCRETE</b>	<b>36.5</b>

- NOTES:**
- FOUNDATION DESIGN IS BASED ON A MINIMUM SOIL BEARING CAPACITY OF 3000 LB/SQ. FT. FOR SOIL CONDITIONS WHICH DO NOT MEET THIS SPECIFICATION, CONSULT WITH THE THURMAN SCALE COMPANY.
  - THE FOUNDATION SHALL BE INSTALLED AT AN ELEVATION AND LOCATION TO INSURE ADEQUATE DRAINAGE AWAY FROM SCALE. A PERIMETER TRENCH AND AGGREGATE BASE MAY BE ADDED IF DRAINAGE IS NOT SUFFICIENT TO MAINTAIN 3000 LB/SQ. FT. BEARING CAPACITY.
  - BOTTOM OF FOOTERS SHOULD EXTEND BELOW THE FROST LINE. AN 18 INCH FOOTER DEPTH IS MINIMUM.
  - N.I.S.T. H-44 REQUIREMENTS AND LOCAL WEIGHTS AND MEASURES REGULATIONS MAY REQUIRE INSTALLATION PARAMETERS SOMEWHAT DIFFERENT THAN ILLUSTRATED ON THIS PLAN. IN ORDER TO INSURE COMPLIANCE, CONSULT THE LOCAL WEIGHTS & MEASURES OFFICE PRIOR TO CONSTRUCTION.
  - CONCRETE OF 4000 PSI MINIMUM COMPRESSIVE STRENGTH IS REQUIRED, WITH 5-7% AIR ENTRAINMENT. VIBRATE CONCRETE WHEN POURING. FOLLOW LATEST ACI REQUIREMENTS FOR MATERIALS AND CONSTRUCTION. DO NOT CAST UNLESS TEMPERATURE IS ABOVE 40 DEGREES FAHRENHEIT.
  - PIERS MUST BE LEVEL AND IN THE SAME PLANE WITHIN ±1/8 INCH.
  - EXCAVATION, FORMS, REINFORCING STEEL, GUARD POSTS, AND CONCRETE FURNISHED BY OTHERS.
  - DO NOT PLACE REBAR IN CLOSE PROXIMITY OF ANCHOR BOLTS.



DRILL TYPE ANCHOR INFORMATION (DRILL TYPE ANCHORS PROVIDED WITH THE SCALE)  
 FOR THE CORNER STANDS (12 REQUIRED)  
 FOR THE FULCRUM & LC STANDS (8 REQUIRED)  
 5/8 DIA X 6" STUD TYPE ANCHORS  
 DRILL DIA 5/8", DRILL DEPTH 3 1/2"



THIS DRAWING IS SUPPLIED AS CHECKED BELOW:  
 REFERENCE (ESTIMATES ONLY, NOT FOR CONSTRUCTION)  
 CERTIFIED FOR CONSTRUCTION, THURMAN SERIAL#  
 CUSTOMER: \_\_\_\_\_ DATE: \_\_\_\_\_  
 CUSTOMER APPROVAL, RETURN ONE COPY. (ORDER ON HOLD UNTIL SIGNED COPY IS RETURNED)  
 APPROVED AS DRAWING, APPROVED BY: \_\_\_\_\_ DATE: \_\_\_\_\_  
 APPROVED AS NOTED, APPROVED BY: \_\_\_\_\_ DATE: \_\_\_\_\_

THE INFORMATION CONTAINED HEREIN AND IN ANY ACROSS THE BOARD DOCUMENTS IS THE PROPERTY OF THURMAN SCALE. IT IS TO BE USED ONLY FOR THE PROJECT AND SITE SPECIFICALLY IDENTIFIED IN THIS DOCUMENT. ANY REUSE, REPRODUCTION, OR MODIFICATION WITHOUT WRITTEN PERMISSION FROM THURMAN SCALE ASSUMES NO LIABILITY TO THURMAN SCALE. APPROVED FOR: \_\_\_\_\_

8140XD 120K CLC  
 60"x12" (2M/3S)  
 8" PIPE LEVERS  
 PIER TYPE FOUNDATION

**THURMAN SCALE**  
 SCALE: VARIES DRAWN: JCR CHECKED: \_\_\_\_\_  
 SHEET: 1 OF 1 DATE: 06/05/15 APPROVED: \_\_\_\_\_  
 DRAWING NUMBER: 92706-FT REV: 0