

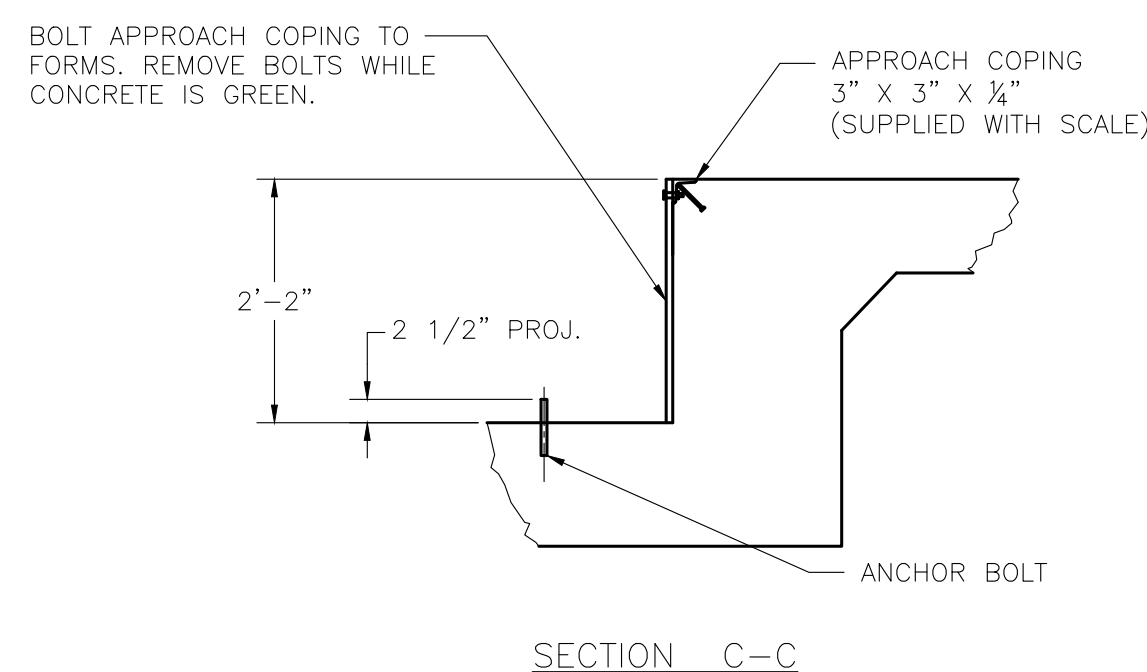
TYPICAL SIDE ELEVATION OF SCALE INSTALLATION

FOUNDATION REINFORCING SCHEDULE ASTM 615 - GRADE 60					
MARK	QTY	SIZE	LENGTH	WEIGHT (LBS)	COMMENT
HR1	32	#4	9'-6"	204	LONG. EA. APPROACH
HR2	128	#4	15'-0"	1283	LAT. EA. APPROACH; PIER
HR3	128	#4	4'-6"	385	LONG. EA. PIER
HR4	15	#4	1'-0"	11	LAT. EA. FULCRUM PIER; LC PIER
HR5	2	#4	10'-0"	14	LONG. DUAL FULCRUM PIER
HR6	6	#4	2'-0"	9	LONG. EA. FULCRUM PIER; LC PIER
VR1	64	#4	3'-2"	136	VERT. EA. END WALL
TOTAL WEIGHT				2,041	

REINFORCING STEEL NOTES:
 1. REINFORCING STEEL SHALL BE FREE OF ALL MUD, DEBRIS, CEMENT GROUT, LOOSE RUST, GREASE, AND OIL.
 2. TACK WELDING OF BARS IS PROHIBITED.

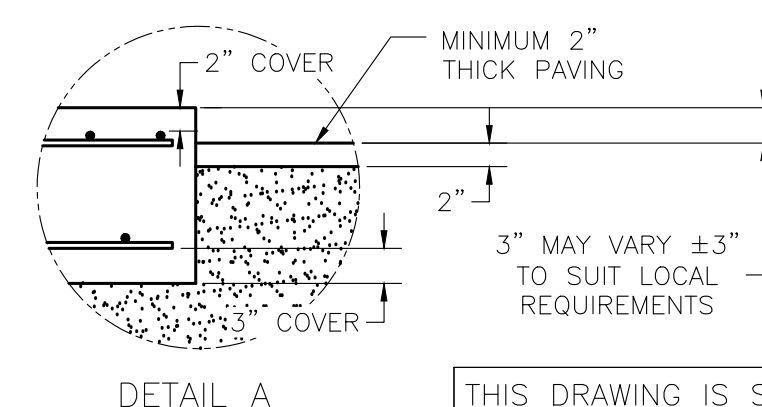
FOUNDATION CONCRETE 4000 PSI MINIMUM	
LOCATION	QTY (CU. YDS)
PIERS AS SHOWN	19.1
FLOOR AT 2" THICK	6.1
APPROACHES	11.9
OPTIONAL APPROACH SUPPORTS	3.3
TOTAL CONCRETE	40.4

- NOTES:
- FOUNDATION DESIGN IS BASED ON A MINIMUM SOIL BEARING CAPACITY OF 3000 LB/SQ. FT. FOR SOIL CONDITIONS WHICH DO NOT MEET THIS SPECIFICATION, CONSULT WITH THE THURMAN SCALE COMPANY.
 - THE FOUNDATION SHALL BE INSTALLED AT AN ELEVATION AND LOCATION TO INSURE ADEQUATE DRAINAGE AWAY FROM SCALE. A PERIMETER TRENCH AND AGGREGATE BASE MAY BE ADDED IF DRAINAGE IS NOT SUFFICIENT TO MAINTAIN 3000 LB/SQ. FT. BEARING CAPACITY.
 - BOTTOM OF FOOTERS SHOULD EXTEND BELOW THE FROST LINE. AN 18 INCH FOOTER DEPTH IS MINIMUM.
 - N.I.S.T. H-44 REQUIREMENTS AND LOCAL WEIGHTS AND MEASURES REGULATIONS MAY REQUIRE INSTALLATION PARAMETERS SOMEWHAT DIFFERENT THAN ILLUSTRATED ON THIS PLAN. IN ORDER TO INSURE COMPLIANCE, CONSULT THE LOCAL WEIGHTS & MEASURES OFFICE PRIOR TO CONSTRUCTION.
 - CONCRETE OF 4000 PSI MINIMUM COMPRESSIVE STRENGTH IS REQUIRED, WITH 5-7% AIR ENTRAINMENT. VIBRATE CONCRETE WHEN POURING. FOLLOW LATEST ACI REQUIREMENTS FOR MATERIALS AND CONSTRUCTION. DO NOT CAST UNLESS TEMPERATURE IS ABOVE 40 DEGREES FAHRENHEIT.
 - PIERS MUST BE LEVEL AND IN THE SAME PLANE WITHIN ±1/8 INCH.
 - EXCAVATION, FORMS, REINFORCING STEEL, GUARD POSTS, AND CONCRETE FURNISHED BY OTHERS.
 - DO NOT PLACE REBAR IN CLOSE PROXIMITY OF ANCHOR BOLTS.



DRILL TYPE ANCHOR INFORMATION
(DRILL TYPE ANCHORS PROVIDED WITH THE SCALE)
 FOR THE CORNER STANDS (16 REQUIRED)
 FOR THE FULCRUM & LC STANDS (10 REQUIRED)
 5/8 DIA X 6\"/>

ANCHOR DETAIL



THIS DRAWING IS SUPPLIED AS CHECKED BELOW:
 REFERENCE (ESTIMATES ONLY, NOT FOR CONSTRUCTION)
 CERTIFIED FOR CONSTRUCTION, THURMAN SERIAL#
 CUSTOMER: _____ DATE: _____
 CUSTOMER APPROVAL, RETURN ONE COPY.
 (ORDER ON HOLD UNTIL SIGNED COPY IS RETURNED)
 APPROVED AS DRAWING, APPROVED BY: _____ DATE: _____
 APPROVED AS NOTED, APPROVED BY: _____ DATE: _____

THE INFORMATION CONTAINED HEREIN AND IN ANY ATTACHED DRAWINGS IS UNCLASSIFIED AND CONFIDENTIAL PROPERTY OF THURMAN SCALE. IT IS TO BE KEPT UNCLASSIFIED AND CONFIDENTIAL UNLESS OTHERWISE SPECIFIED. UNLESS OTHERWISE SPECIFIED, DIMENSIONS IN INCHES AND FRACTIONS ARE AS FOLLOWS: INCHES: 1/8\"/>

8140XD 120K CLC
 80'x11' (3M/4S)
 8\"/>

THURMAN SCALE
 SCALE: 1/8\"/>