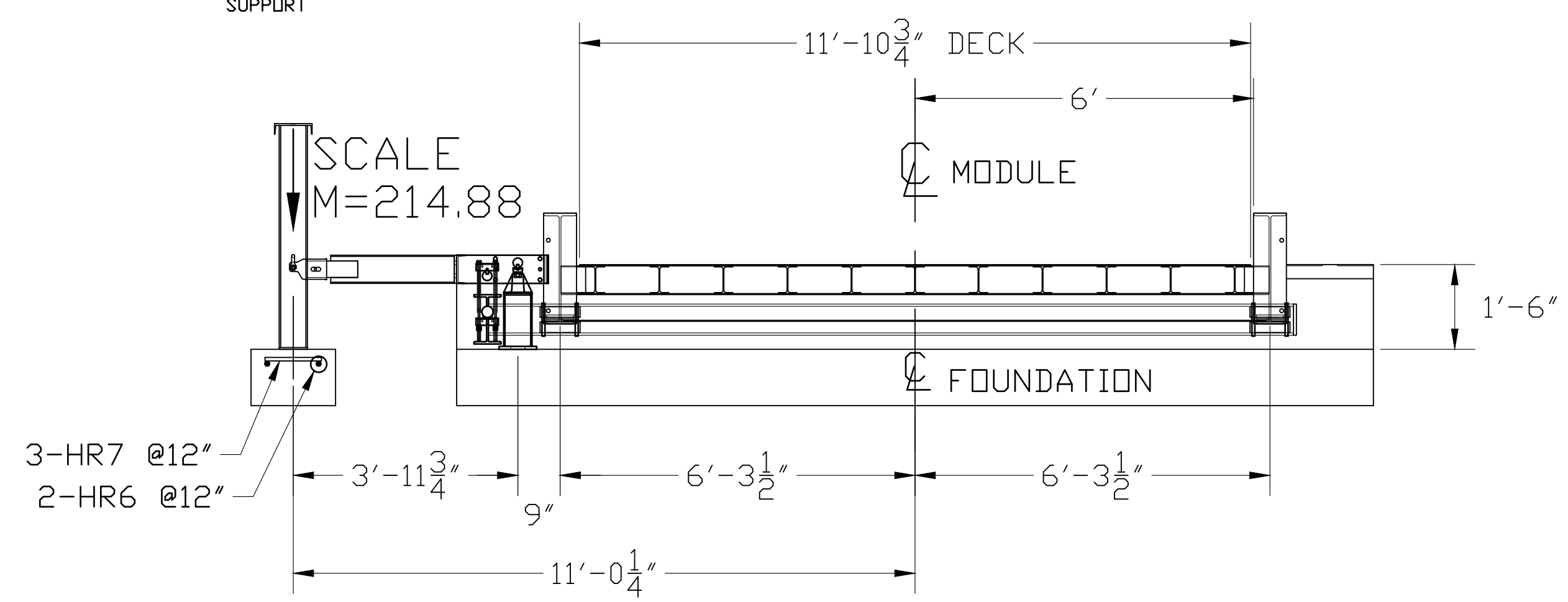
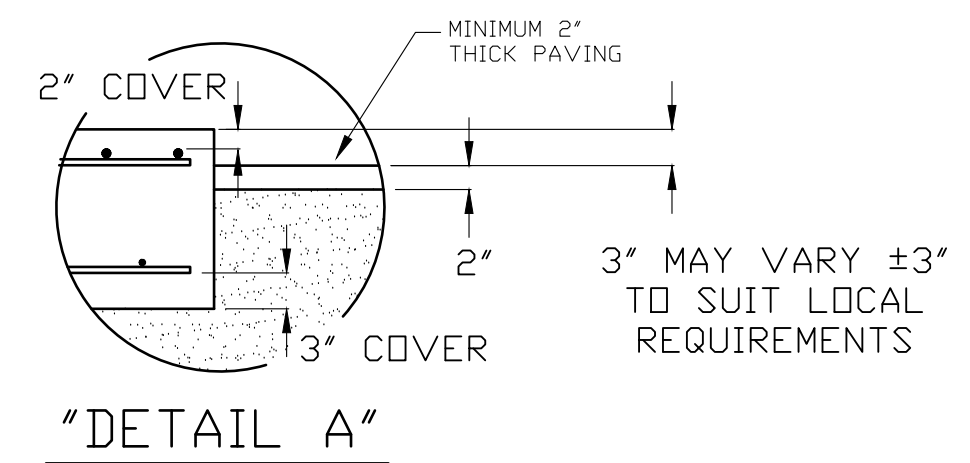


DRILL TYPE ANCHOR INFORMATION
(DRILL TYPE ANCHORS PROVIDED WITH THE SCALE)
FOR THE CORNER STANDS (12 REQUIRED)
FOR THE FULCRUM & LC STANDS (8 REQUIRED)
5/8\"/>

REMOVE TOP SOIL. NOTE: THE SUBGRADE MUST BE FIRM AND UNYIELDING. COMPACT IF NECESSARY. BACKFILL WITH THE BEST AVAILABLE MATERIAL. AGGREGATE PRE-FERRED. COMPACT AS REQUIRED.

OPTIONAL PAVED SURFACE (NON-LOAD BEARING) CONCRETE OR ASPHALT BETWEEN PIERS TO FACILITATE CLEANING. A 12\"/>

TYPICAL SIDE ELEVATION OF SCALE INSTALLATION



- NOTES:
- FOUNDATION DESIGN IS BASED ON A MINIMUM SOIL BEARING CAPACITY OF 3000 LB/SQ. FT. FOR SOIL CONDITIONS WHICH DO NOT MEET THIS SPECIFICATION, CONSULT WITH THE THURMAN SCALE COMPANY.
 - THE FOUNDATION SHALL BE INSTALLED AT AN ELEVATION AND LOCATION TO INSURE ADEQUATE DRAINAGE AWAY FROM SCALE. A PERIMETER TRENCH AND AGGREGATE BASE MAY BE ADDED IF DRAINAGE IS NOT SUFFICIENT TO MAINTAIN 3000 LB/SQ. FT. BEARING CAPACITY.
 - BOTTOM OF FOOTERS SHOULD EXTEND BELOW THE FROST LINE. AN 18 INCH FOOTER DEPTH IS MINIMUM.
 - N.I.S.T. H-44 REQUIREMENTS AND LOCAL WEIGHTS AND MEASURES REGULATIONS MAY REQUIRE INSTALLATION PARAMETERS SOMEWHAT DIFFERENT THAN ILLUSTRATED ON THIS PLAN. IN ORDER TO INSURE COMPLIANCE, CONSULT THE LOCAL WEIGHTS & MEASURES OFFICE PRIOR TO CONSTRUCTION.
 - CONCRETE OF 4000 PSI MINIMUM COMPRESSIVE STRENGTH IS REQUIRED, WITH 5-7% AIR ENTRAINMENT. VIBRATE CONCRETE WHEN POURING. FOLLOW LATEST ACI REQUIREMENTS FOR MATERIALS AND CONSTRUCTION. DO NOT CAST UNLESS TEMPERATURE IS ABOVE 40 DEGREES FAHRENHEIT.
 - PIERS MUST BE LEVEL AND IN THE SAME PLANE WITHIN ±1/8 INCH.
 - EXCAVATION, FORMS, REINFORCING STEEL, GUARD POSTS, AND CONCRETE FURNISHED BY OTHERS.
 - DO NOT PLACE REBAR IN CLOSE PROXIMITY OF ANCHOR BOLTS.

FOUNDATION REBAR SCHEDULE					
ASTM A615 GRADE 60					
MARK	QTY.	SIZE	LENGTH	WT.	REMARKS
HR1	34	#4	9'-6"	216	(17) EA. APPROACH LONG.
HR2	79	#4	16'-0"	845	(14) EA. APPROACH LAT; (17) EA. PIER LAT.
HR3	102	#4	3'-0"	205	(34) EA. PIER LONG.
HR4	2	#4	10'-0"	14	(2) DUAL FULCRUM PIER LONG.
HR5	9	#4	1'-4"	8	(3) EA. FULCRUM PIER LAT.
HR6	4	#4	2'-0"	6	(2) EA. FULCRUM PIER & LC PIER LONG.
HR7	3	#4	1'-0"	3	(3) LC PIER LAT.
VR1	68	#4	2'-6"	114	(34) EA. END WALL VERTICAL.
TOTAL				1411	

CONCRETE REQUIREMENTS		
4000 PSI		
AREA	QTY.	(CU. YDS.)
PIERS AS SHOWN		10
APPROACHES		10
FLOOR AT 2" THICK		5.5
OPTIONAL APPROACH SUPPORTS		3
TOTAL		28.5

- REINFORCING STEEL NOTES:
- REINFORCING STEEL SHALL BE FREE OF ALL MUD, DEBRIS, CEMENT GROUT, LOOSE RUST, GREASE, AND OIL.
 - TACK WELDING OF BARS IS PROHIBITED.

THIS DRAWING IS SUPPLIED AS CHECKED BELOW:
 REFERENCE (ESTIMATES ONLY, NOT FOR CONSTRUCTION)
 CERTIFIED FOR CONSTRUCTION, THURMAN #
 CUSTOMER: _____ DATE: _____
 CUSTOMER APPROVAL, RETURN ONE COPY.
 (ORDER ON HOLD UNTIL SIGNED COPY IS RETURNED)
 APPROVED AS DRAWN, APPROVED BY: _____ DATE: _____
 APPROVED AS NOTED, APPROVED BY: _____ DATE: _____

SECTION A-A

LET	BY	DATE	REVISION

THURMAN SCALE
COLUMBUS, OH

8140 60K CLC
60' X 12' FOOTINGS
FOUNDATION (3 SECTION)

DATE: 10/26/12
SCALE: N/A SHEET 1 OF 1
DRAWN BY: JCR MODEL:
CHECKED BY: LC DRAWING NUMBER: 92541-FT
APPROVED BY: LC REVISION: 0

UNLESS OTHERWISE SPECIFIED DIMENSIONS ARE IN INCHES TOLERANCES: FRACTIONS ±1/8" ANGLES ±1° DECIMAL ±.005 2-PLACE DECIMAL ±.01 3-PLACE DECIMAL ±.001 HOLE DIAMETERS ±1/32"

MATERIAL: A36 FINISH: N/A