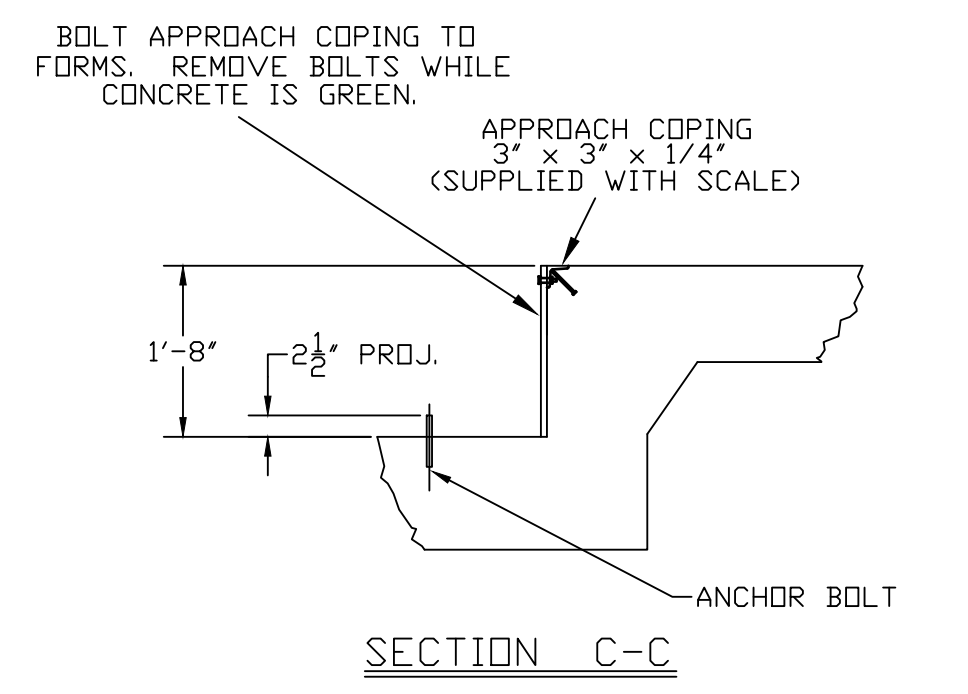
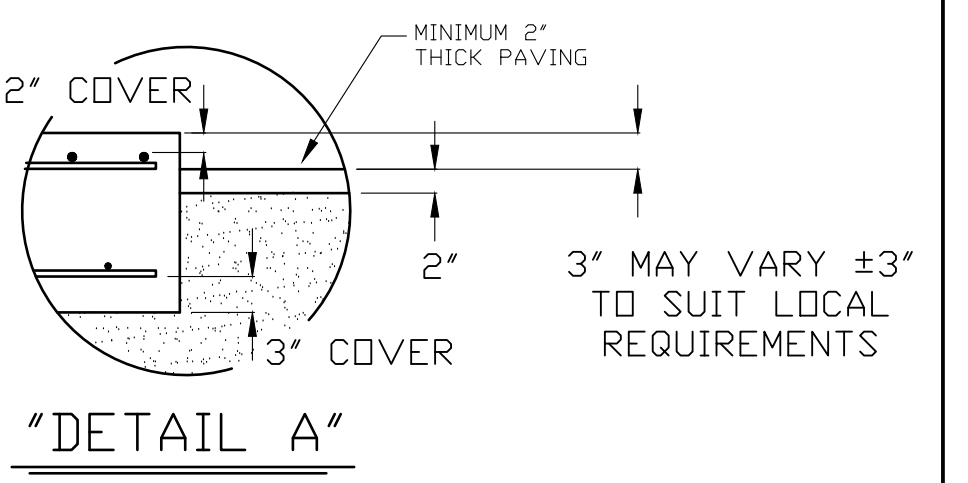


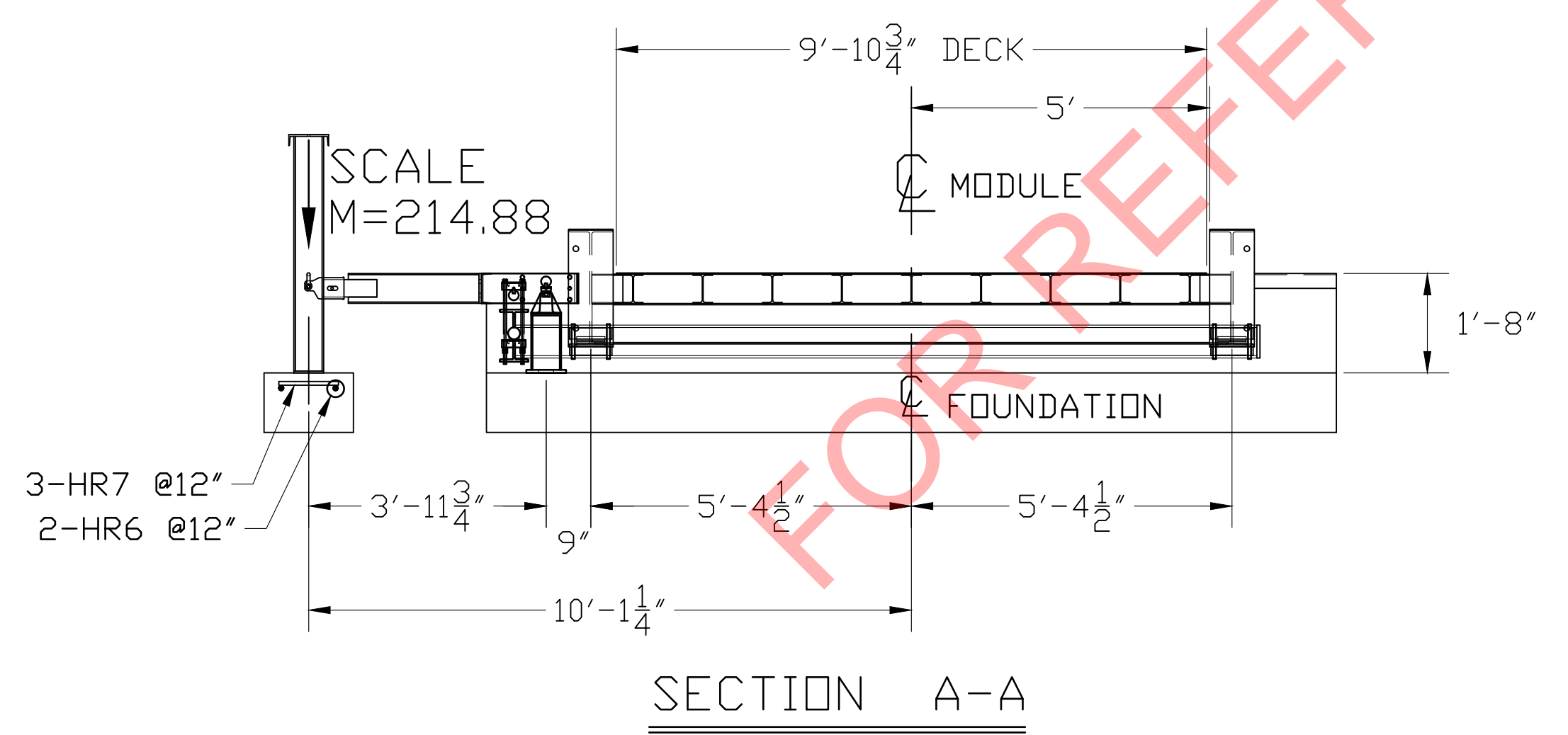
TYPICAL SIDE ELEVATION OF SCALE INSTALLATION



DRILL TYPE ANCHOR INFORMATION  
(DRILL TYPE ANCHORS PROVIDED WITH THE SCALE)  
FOR THE CORNER STANDS (12 REQUIRED)  
FOR THE FULCRUM & LC STANDS (8 REQUIRED)  
5/8 DIA X 6" STUD TYPE ANCHORS  
DRILL DIA 5/8", DRILL DEPTH 3 1/2"



- NOTES:
- FOUNDATION DESIGN IS BASED ON A MINIMUM SOIL BEARING CAPACITY OF 3000 LB/SQ. FT. FOR SOIL CONDITIONS WHICH DO NOT MEET THIS SPECIFICATION, CONSULT WITH THE THURMAN SCALE COMPANY.
  - THE FOUNDATION SHALL BE INSTALLED AT AN ELEVATION AND LOCATION TO INSURE ADEQUATE DRAINAGE AWAY FROM SCALE. A PERIMETER TRENCH AND AGGREGATE BASE MAY BE ADDED IF DRAINAGE IS NOT SUFFICIENT TO MAINTAIN 3000 LB/SQ. FT. BEARING CAPACITY.
  - BOTTOM OF FOOTERS SHOULD EXTEND BELOW THE FROST LINE. AN 18 INCH FOOTER DEPTH IS MINIMUM.
  - N.I.S.T. H-44 REQUIREMENTS AND LOCAL WEIGHTS AND MEASURES REGULATIONS MAY REQUIRE INSTALLATION PARAMETERS SOMEWHAT DIFFERENT THAN ILLUSTRATED ON THIS PLAN. IN ORDER TO INSURE COMPLIANCE, CONSULT THE LOCAL WEIGHTS & MEASURES OFFICE PRIOR TO CONSTRUCTION.
  - CONCRETE OF 4000 PSI MINIMUM COMPRESSIVE STRENGTH IS REQUIRED, WITH 5-7% AIR ENTRAINMENT. VIBRATE CONCRETE WHEN POURING. FOLLOW LATEST ACI REQUIREMENTS FOR MATERIALS AND CONSTRUCTION. DO NOT CAST UNLESS TEMPERATURE IS ABOVE 40 DEGREES FAHRENHEIT.
  - PIERS MUST BE LEVEL AND IN THE SAME PLANE WITHIN ±1/8 INCH.
  - EXCAVATION, FORMS, REINFORCING STEEL, GUARD POSTS, AND CONCRETE FURNISHED BY OTHERS.
  - DO NOT PLACE REBAR IN CLOSE PROXIMITY OF ANCHOR BOLTS.



SECTION A-A

| FOUNDATION REBAR SCHEDULE |      |      |        |           |   |  |
|---------------------------|------|------|--------|-----------|---|--|
| ASTM A615 GRADE 60        |      |      |        |           |   |  |
| MARK                      | QTY. | SIZE | LENGTH | WT.       | REMARKS                                   |  |
| HR1                       | 30   | #4   | 9'-6"  | 191       | (15) EA. APPROACH LONG.                   |  |
| HR2                       | 79   | #4   | 14'-0" | 739       | (14) EA. APPROACH LAT; (17) EA. PIER LAT. |  |
| HR3                       | 90   | #4   | 3'-0"  | 181       | (30) EA. PIER LONG.                       |  |
| HR4                       | 2    | #4   | 10'-0" | 14        | (2) DUAL FULCRUM PIER LONG.               |  |
| HR5                       | 9    | #4   | 1'-4"  | 8         | (3) EA. FULCRUM PIER LAT.                 |  |
| HR6                       | 4    | #4   | 2'-0"  | 6         | (2) EA. FULCRUM PIER & LC PIER LONG.      |  |
| HR7                       | 3    | #4   | 1'-0"  | 3         | (3) LC PIER LAT.                          |  |
| VR1                       | 60   | #4   | 2'-9"  | 111       | (30) EA. END WALL VERTICAL                |  |
|                           |      |      |        | TOTAL WT. | 1253                                      |  |

- REINFORCING STEEL NOTES:
- REINFORCING STEEL SHALL BE FREE OF ALL MUD, DEBRIS, CEMENT GROUT, LOOSE RUST, GREASE, AND OIL.
  - TACK WELDING OF BARS IS PROHIBITED.

| CONCRETE REQUIREMENTS      |                 |
|----------------------------|-----------------|
| 4000 PSI                   |                 |
| AREA                       | QTY. (CU. YDS.) |
| PIERS AS SHOWN             | 8.5             |
| APPROACHES                 | 9               |
| FLOOR AT 2" THICK          | 5               |
| OPTIONAL APPROACH SUPPORTS | 3               |
| <b>TOTAL</b>               | <b>25.5</b>     |

THIS DRAWING IS SUPPLIED AS CHECKED BELOW:  
 REFERENCE (ESTIMATES ONLY, NOT FOR CONSTRUCTION)  
 CERTIFIED FOR CONSTRUCTION, THURMAN #  
 CUSTOMER: \_\_\_\_\_ DATE: \_\_\_\_\_  
 CUSTOMER P.O.# \_\_\_\_\_ DATE: \_\_\_\_\_  
 CUSTOMER APPROVAL, RETURN ONE COPY.  
 (ORDER ON HOLD UNTIL SIGNED COPY IS RETURNED)  
 APPROVED AS DRAWN, APPROVED BY: \_\_\_\_\_ DATE: \_\_\_\_\_  
 APPROVED AS NOTED, APPROVED BY: \_\_\_\_\_ DATE: \_\_\_\_\_

| LET | BY | DATE | REVISION |
|-----|----|------|----------|
|     |    |      |          |
|     |    |      |          |

**THURMAN SCALE**  
COLUMBUS, OH

8140 90K CLC  
60' X 10' FOOTINGS  
FOUNDATION (3 SECTION)

DATE: 11/2/12  
SCALE: N/A SHEET 1 OF 1  
DRAWN BY: JCR MODEL: \_\_\_\_\_  
CHECKED BY: LC DRAWING NUMBER: 92681-FT REVISION: 0  
APPROVED BY: LC

UNLESS OTHERWISE SPECIFIED DIMENSIONS ARE IN INCHES TOLERANCES FRACTIONS ±1/16" ANGLES ±1° 3-PLACE DECIMAL ±0.005 2-PLACE DECIMAL ±0.05 1-PLACE DECIMAL ±0.50 HOLE DIAMETERS ±1/32"

MATERIAL: A36 FINISH: N/A