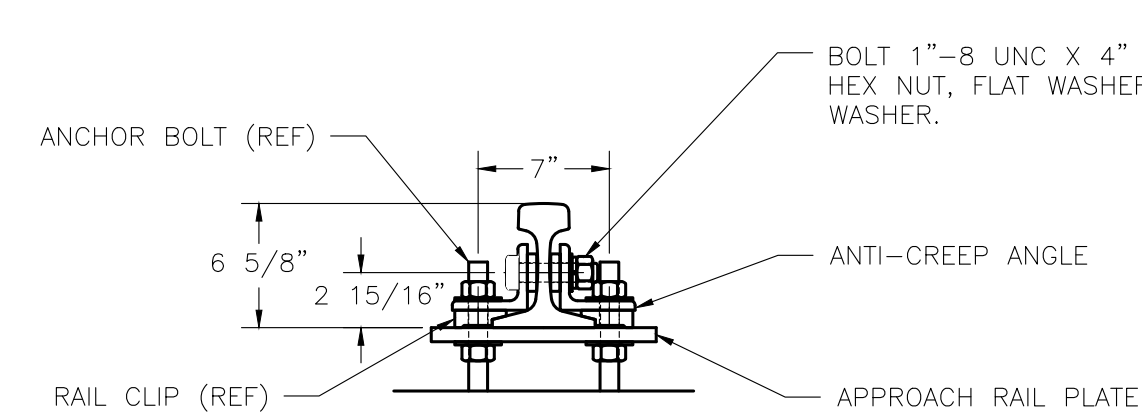
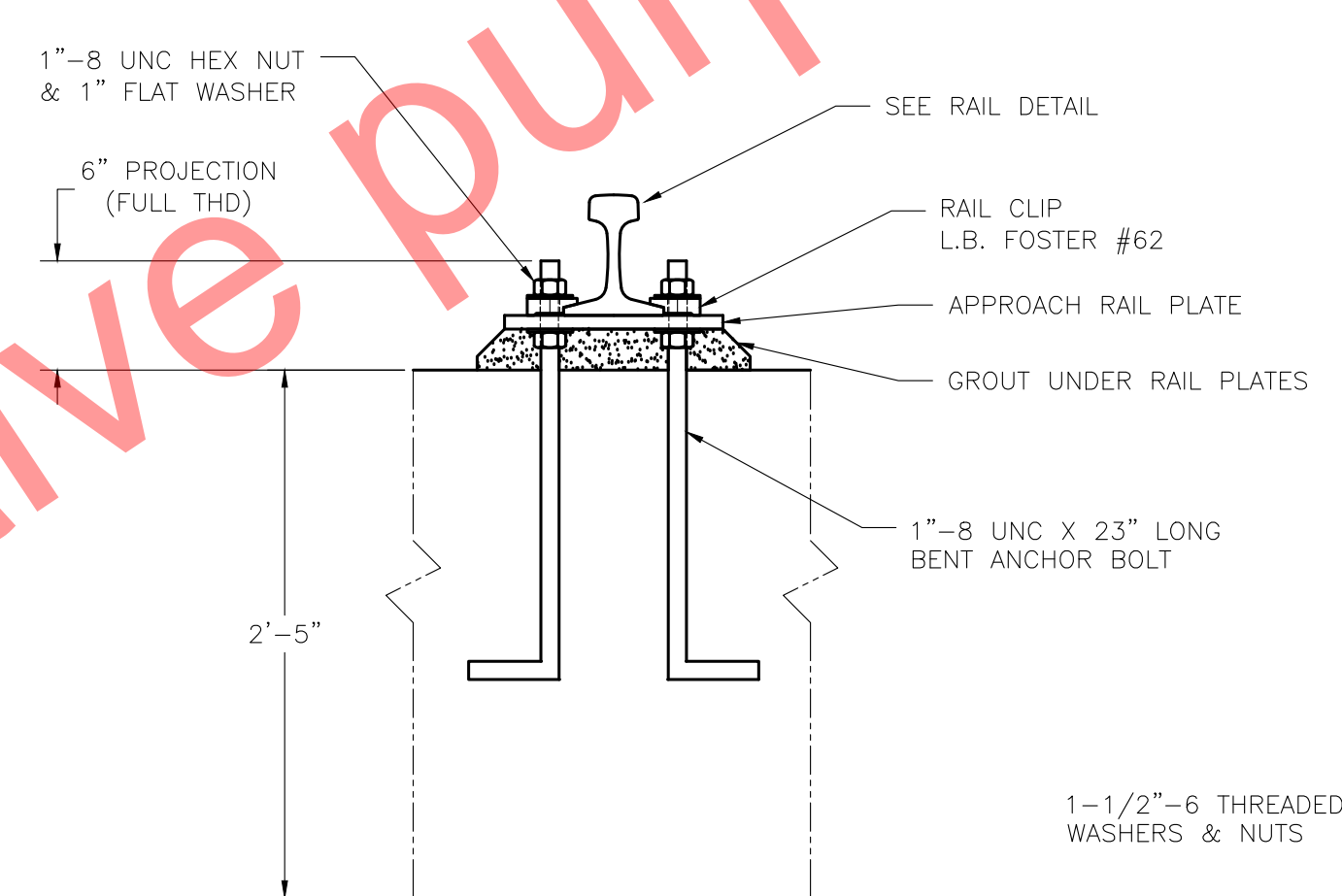


MODEL 8760 RR TRACK SCALE  
SIDE VIEW OF DOUBLE UNIT MODULES

MODEL 8760 RR TRACK SCALE  
SIDE VIEW OF DOUBLE UNIT MODULES

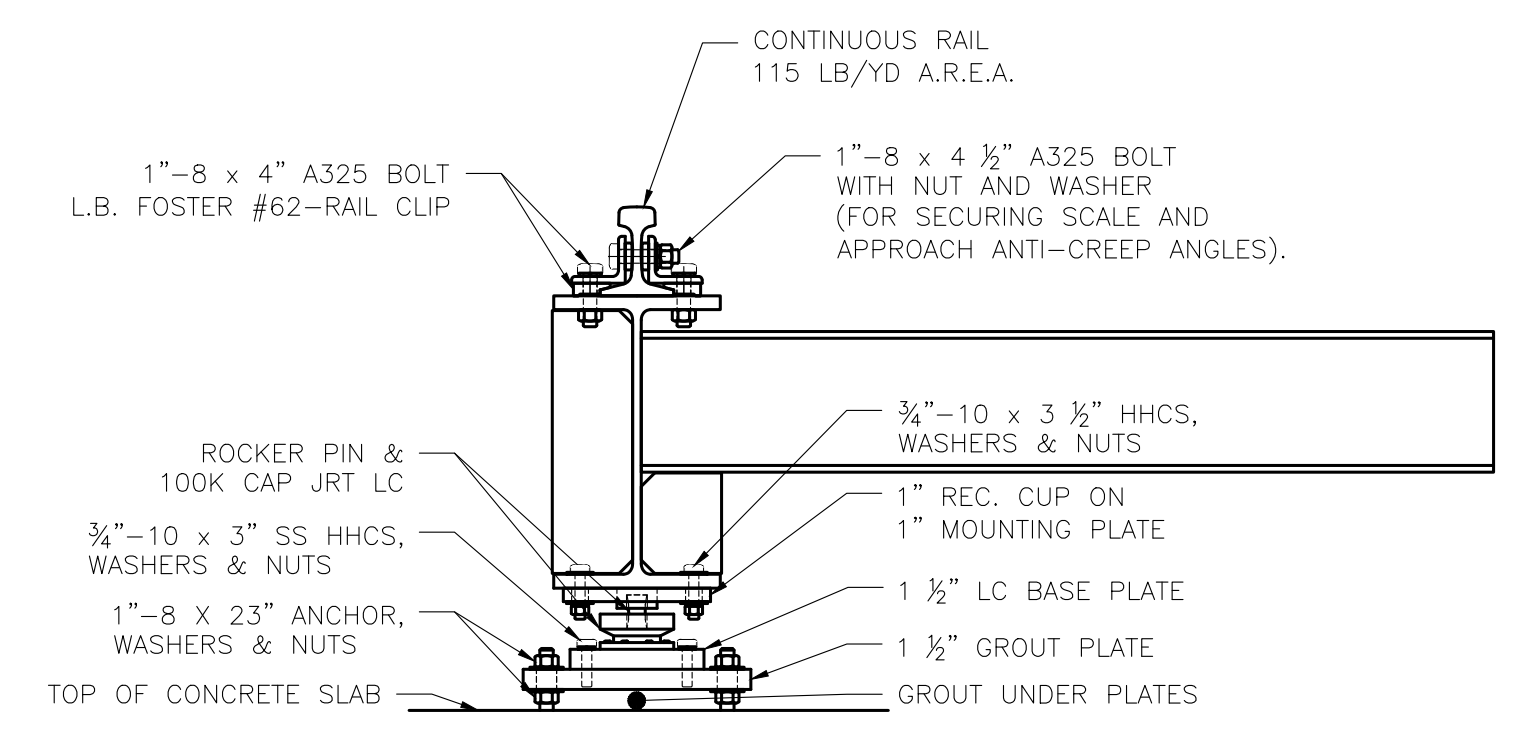


DETAIL  
APPROACH ANTI-CREEP ASSEMBLY  
ANTI-CREEP ASSEMBLIES ARE TO BE  
INSTALLED AT CENTER OF EACH SCALE  
MODULE AND AT ALL SCALE ENDS OF  
ALL APPROACHES.

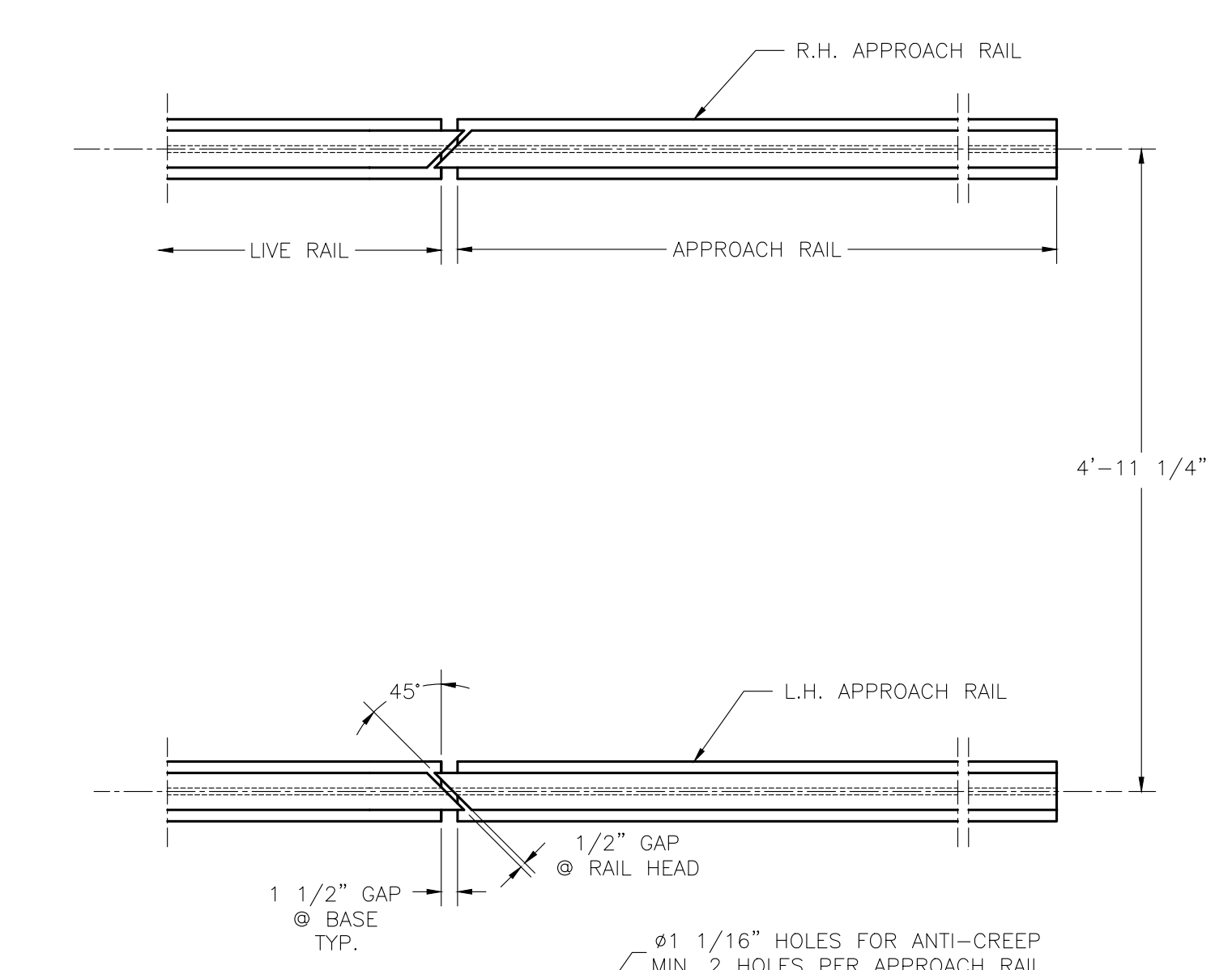


TYP APPROACH RAIL MOUNT

ANCHOR BOLTS MUST BE POURED IN  
PLACE WITH HARDWARE AS SHOWN. USE  
GROUT PLATE OR TEMPLATE TO HOLD  
CENTERS. DO NOT GROUT PLATES UNTIL  
SCALE IS INSTALLED AND LEVELED WITH  
APPROACH RAILS.



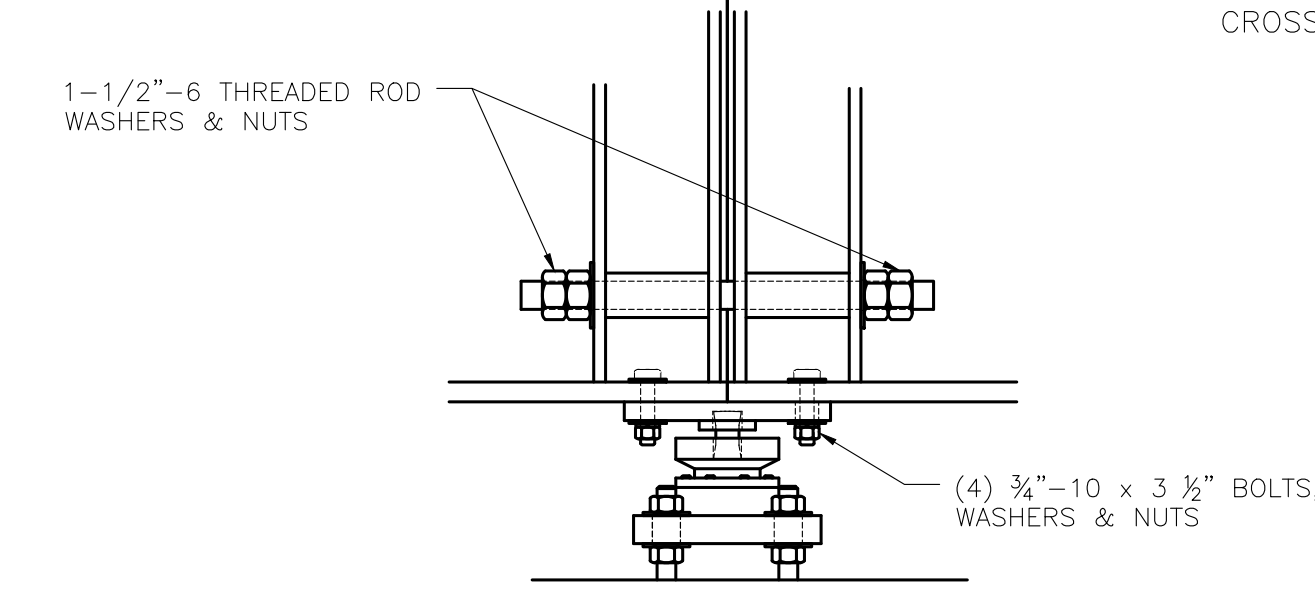
MODEL 8760 RR TRACK SCALE  
CROSS SECTION VIEW (PARTIAL)



RAIL DETAIL:  
115 LB/YD A.R.E.A.

SEE NOTE 1

- NOTES**
1. TO ASSURE PROPER FIT, APPROACH RAILS MUST BE DRILLED (FOR ANTI-CREEP DEVICES) IN THE FIELD. AFTER THE RAIL IS LOCATED IN PLACE, USE THE ANTI-CREEP DEVICE AS A TEMPLATE TO LOCATE THE HOLES THROUGH THE RAIL WEB.
  2. RAIL IS NOT SUPPLIED BY THURMAN SCALE COMPANY. ANCHOR BOLTS, ANTI-CREEP DEVICES, RAIL PLATES AND RAIL CLIPS FOR THE APPROACHES ARE INCLUDED IN THE OPTIONAL APPROACH KIT AND WILL BE SUPPLIED BY THURMAN SCALE COMPANY ONLY WHEN SPECIFIED ON THE SALES ORDER. ANCHOR BOLTS FOR THE SCALE ARE ALSO AVAILABLE IN AN OPTIONAL KIT AVAILABLE THROUGH THURMAN SCALE COMPANY.
  3. GROUND RODS LABELED "SGR" ARE SUPPLIED BY THURMAN SCALE AS FOUNDATION EMBED ITEMS. THESE GROUND RODS ARE INTENDED TO BE USED AS PART OF THE SCALE GROUNDING KIT. GROUND EACH PLATFORM AND THE POWER SUPPLY WITH SEPERATE GROUNDS.
  4. GROUTING: APPROACH RAIL PLATES AND SCALE GROUT PLATES MUST BE GROUTED IN PLACE AFTER WEIGHBRIDGES, LOADCELLS AND APPROACH RAILS ARE IN CORRECT WEIGHING POSITION. USE BEST AVAILABLE TYPE GROUT TO DEVELOP 10,000 PSI COMPRESSIVE STRENGTH. FOLLOW THE GROUT MANUFACTURER INSTRUCTIONS FOR SURFACE PREPARATION, FORMS, MIXING AND PLACEMENT PROCEDURES.



CONNECTION DETAIL

THIS DRAWING IS SUPPLIED AS CHECKED BELOW:  
 REFERENCE (ESTIMATES ONLY, NOT FOR CONSTRUCTION)  
 CERTIFIED FOR CONSTRUCTION, THURMAN SERIAL#  
 CUSTOMER: \_\_\_\_\_ DATE: \_\_\_\_\_  
 CUSTOMER APPROVAL, RETURN ONE COPY.  
 (ORDER ON HOLD UNTIL SIGNED COPY IS RETURNED)  
 APPROVED AS DRAWN, APPROVED BY: \_\_\_\_\_ DATE: \_\_\_\_\_  
 APPROVED AS NOTED, APPROVED BY: \_\_\_\_\_ DATE: \_\_\_\_\_

<small>THE INFORMATION CONTAINED HEREIN AND IN ANY INSTRUMENTS OR DRAWINGS IS THE PROPERTY OF THURMAN SCALE COMPANY. IT IS TO BE USED ONLY FOR THE PROJECT AND AT THE LOCATION SPECIFIED HEREON. ANY REUSE, REPRODUCTION, OR DISSEMINATION OF THIS INFORMATION WITHOUT WRITTEN PERMISSION FROM THURMAN SCALE COMPANY IS STRICTLY PROHIBITED. ANY VIOLATION OF THESE TERMS SHALL BE AT THE USER'S SOLE RISK AND WITHOUT LIABILITY TO THURMAN SCALE COMPANY.</small>		<small>UNLESS OTHERWISE SPECIFIED, DIMENSIONS ARE IN INCHES AND FRACTIONS ARE AS FOLLOWS: 1/8" 1/16" 3/16" 1/4" 5/16" 3/8" 1/2" 5/8" 3/4" 7/8" 1" 1 1/8" 1 1/4" 1 3/8" 1 1/2" 1 5/8" 1 3/4" 1 7/8" 2" 2 1/8" 2 1/4" 2 3/8" 2 1/2" 2 5/8" 2 3/4" 3" 3 1/8" 3 1/4" 3 3/8" 3 1/2" 3 5/8" 3 3/4" 4" 4 1/8" 4 1/4" 4 3/8" 4 1/2" 4 5/8" 4 3/4" 5" 5 1/8" 5 1/4" 5 3/8" 5 1/2" 5 5/8" 5 3/4" 6" 6 1/8" 6 1/4" 6 3/8" 6 1/2" 6 5/8" 6 3/4" 7" 7 1/8" 7 1/4" 7 3/8" 7 1/2" 7 5/8" 7 3/4" 8" 8 1/8" 8 1/4" 8 3/8" 8 1/2" 8 5/8" 8 3/4" 9" 9 1/8" 9 1/4" 9 3/8" 9 1/2" 9 5/8" 9 3/4" 10" 10 1/8" 10 1/4" 10 3/8" 10 1/2" 10 5/8" 10 3/4" 11" 11 1/8" 11 1/4" 11 3/8" 11 1/2" 11 5/8" 11 3/4" 12" 12 1/8" 12 1/4" 12 3/8" 12 1/2" 12 5/8" 12 3/4" 13" 13 1/8" 13 1/4" 13 3/8" 13 1/2" 13 5/8" 13 3/4" 14" 14 1/8" 14 1/4" 14 3/8" 14 1/2" 14 5/8" 14 3/4" 15" 15 1/8" 15 1/4" 15 3/8" 15 1/2" 15 5/8" 15 3/4" 16" 16 1/8" 16 1/4" 16 3/8" 16 1/2" 16 5/8" 16 3/4" 17" 17 1/8" 17 1/4" 17 3/8" 17 1/2" 17 5/8" 17 3/4" 18" 18 1/8" 18 1/4" 18 3/8" 18 1/2" 18 5/8" 18 3/4" 19" 19 1/8" 19 1/4" 19 3/8" 19 1/2" 19 5/8" 19 3/4" 20" 20 1/8" 20 1/4" 20 3/8" 20 1/2" 20 5/8" 20 3/4" 21" 21 1/8" 21 1/4" 21 3/8" 21 1/2" 21 5/8" 21 3/4" 22" 22 1/8" 22 1/4" 22 3/8" 22 1/2" 22 5/8" 22 3/4" 23" 23 1/8" 23 1/4" 23 3/8" 23 1/2" 23 5/8" 23 3/4" 24" 24 1/8" 24 1/4" 24 3/8" 24 1/2" 24 5/8" 24 3/4" 25" 25 1/8" 25 1/4" 25 3/8" 25 1/2" 25 5/8" 25 3/4" 26" 26 1/8" 26 1/4" 26 3/8" 26 1/2" 26 5/8" 26 3/4" 27" 27 1/8" 27 1/4" 27 3/8" 27 1/2" 27 5/8" 27 3/4" 28" 28 1/8" 28 1/4" 28 3/8" 28 1/2" 28 5/8" 28 3/4" 29" 29 1/8" 29 1/4" 29 3/8" 29 1/2" 29 5/8" 29 3/4" 30" 30 1/8" 30 1/4" 30 3/8" 30 1/2" 30 5/8" 30 3/4" 31" 31 1/8" 31 1/4" 31 3/8" 31 1/2" 31 5/8" 31 3/4" 32" 32 1/8" 32 1/4" 32 3/8" 32 1/2" 32 5/8" 32 3/4" 33" 33 1/8" 33 1/4" 33 3/8" 33 1/2" 33 5/8" 33 3/4" 34" 34 1/8" 34 1/4" 34 3/8" 34 1/2" 34 5/8" 34 3/4" 35" 35 1/8" 35 1/4" 35 3/8" 35 1/2" 35 5/8" 35 3/4" 36" 36 1/8" 36 1/4" 36 3/8" 36 1/2" 36 5/8" 36 3/4" 37" 37 1/8" 37 1/4" 37 3/8" 37 1/2" 37 5/8" 37 3/4" 38" 38 1/8" 38 1/4" 38 3/8" 38 1/2" 38 5/8" 38 3/4" 39" 39 1/8" 39 1/4" 39 3/8" 39 1/2" 39 5/8" 39 3/4" 40" 40 1/8" 40 1/4" 40 3/8" 40 1/2" 40 5/8" 40 3/4" 41" 41 1/8" 41 1/4" 41 3/8" 41 1/2" 41 5/8" 41 3/4" 42" 42 1/8" 42 1/4" 42 3/8" 42 1/2" 42 5/8" 42 3/4" 43" 43 1/8" 43 1/4" 43 3/8" 43 1/2" 43 5/8" 43 3/4" 44" 44 1/8" 44 1/4" 44 3/8" 44 1/2" 44 5/8" 44 3/4" 45" 45 1/8" 45 1/4" 45 3/8" 45 1/2" 45 5/8" 45 3/4" 46" 46 1/8" 46 1/4" 46 3/8" 46 1/2" 46 5/8" 46 3/4" 47" 47 1/8" 47 1/4" 47 3/8" 47 1/2" 47 5/8" 47 3/4" 48" 48 1/8" 48 1/4" 48 3/8" 48 1/2" 48 5/8" 48 3/4" 49" 49 1/8" 49 1/4" 49 3/8" 49 1/2" 49 5/8" 49 3/4" 50" 50 1/8" 50 1/4" 50 3/8" 50 1/2" 50 5/8" 50 3/4" 51" 51 1/8" 51 1/4" 51 3/8" 51 1/2" 51 5/8" 51 3/4" 52" 52 1/8" 52 1/4" 52 3/8" 52 1/2" 52 5/8" 52 3/4" 53" 53 1/8" 53 1/4" 53 3/8" 53 1/2" 53 5/8" 53 3/4" 54" 54 1/8" 54 1/4" 54 3/8" 54 1/2" 54 5/8" 54 3/4" 55" 55 1/8" 55 1/4" 55 3/8" 55 1/2" 55 5/8" 55 3/4" 56" 56 1/8" 56 1/4" 56 3/8" 56 1/2" 56 5/8" 56 3/4" 57" 57 1/8" 57 1/4" 57 3/8" 57 1/2" 57 5/8" 57 3/4" 58" 58 1/8" 58 1/4" 58 3/8" 58 1/2" 58 5/8" 58 3/4" 59" 59 1/8" 59 1/4" 59 3/8" 59 1/2" 59 5/8" 59 3/4" 60" 60 1/8" 60 1/4" 60 3/8" 60 1/2" 60 5/8" 60 3/4" 61" 61 1/8" 61 1/4" 61 3/8" 61 1/2" 61 5/8" 61 3/4" 62" 62 1/8" 62 1/4" 62 3/8" 62 1/2" 62 5/8" 62 3/4" 63" 63 1/8" 63 1/4" 63 3/8" 63 1/2" 63 5/8" 63 3/4" 64" 64 1/8" 64 1/4" 64 3/8" 64 1/2" 64 5/8" 64 3/4" 65" 65 1/8" 65 1/4" 65 3/8" 65 1/2" 65 5/8" 65 3/4" 66" 66 1/8" 66 1/4" 66 3/8" 66 1/2" 66 5/8" 66 3/4" 67" 67 1/8" 67 1/4" 67 3/8" 67 1/2" 67 5/8" 67 3/4" 68" 68 1/8" 68 1/4" 68 3/8" 68 1/2" 68 5/8" 68 3/4" 69" 69 1/8" 69 1/4" 69 3/8" 69 1/2" 69 5/8" 69 3/4" 70" 70 1/8" 70 1/4" 70 3/8" 70 1/2" 70 5/8" 70 3/4" 71" 71 1/8" 71 1/4" 71 3/8" 71 1/2" 71 5/8" 71 3/4" 72" 72 1/8" 72 1/4" 72 3/8" 72 1/2" 72 5/8" 72 3/4" 73" 73 1/8" 73 1/4" 73 3/8" 73 1/2" 73 5/8" 73 3/4" 74" 74 1/8" 74 1/4" 74 3/8" 74 1/2" 74 5/8" 74 3/4" 75" 75 1/8" 75 1/4" 75 3/8" 75 1/2" 75 5/8" 75 3/4" 76" 76 1/8" 76 1/4" 76 3/8" 76 1/2" 76 5/8" 76 3/4" 77" 77 1/8" 77 1/4" 77 3/8" 77 1/2" 77 5/8" 77 3/4" 78" 78 1/8" 78 1/4" 78 3/8" 78 1/2" 78 5/8" 78 3/4" 79" 79 1/8" 79 1/4" 79 3/8" 79 1/2" 79 5/8" 79 3/4" 80" 80 1/8" 80 1/4" 80 3/8" 80 1/2" 80 5/8" 80 3/4" 81" 81 1/8" 81 1/4" 81 3/8" 81 1/2" 81 5/8" 81 3/4" 82" 82 1/8" 82 1/4" 82 3/8" 82 1/2" 82 5/8" 82 3/4" 83" 83 1/8" 83 1/4" 83 3/8" 83 1/2" 83 5/8" 83 3/4" 84" 84 1/8" 84 1/4" 84 3/8" 84 1/2" 84 5/8" 84 3/4" 85" 85 1/8" 85 1/4" 85 3/8" 85 1/2" 85 5/8" 85 3/4" 86" 86 1/8" 86 1/4" 86 3/8" 86 1/2" 86 5/8" 86 3/4" 87" 87 1/8" 87 1/4" 87 3/8" 87 1/2" 87 5/8" 87 3/4" 88" 88 1/8" 88 1/4" 88 3/8" 88 1/2" 88 5/8" 88 3/4" 89" 89 1/8" 89 1/4" 89 3/8" 89 1/2" 89 5/8" 89 3/4" 90" 90 1/8" 90 1/4" 90 3/8" 90 1/2" 90 5/8" 90 3/4" 91" 91 1/8" 91 1/4" 91 3/8" 91 1/2" 91 5/8" 91 3/4" 92" 92 1/8" 92 1/4" 92 3/8" 92 1/2" 92 5/8" 92 3/4" 93" 93 1/8" 93 1/4" 93 3/8" 93 1/2" 93 5/8" 93 3/4" 94" 94 1/8" 94 1/4" 94 3/8" 94 1/2" 94 5/8" 94 3/4" 95" 95 1/8" 95 1/4" 95 3/8" 95 1/2" 95 5/8" 95 3/4" 96" 96 1/8" 96 1/4" 96 3/8" 96 1/2" 96 5/8" 96 3/4" 97" 97 1/8" 97 1/4" 97 3/8" 97 1/2" 97 5/8" 97 3/4" 98" 98 1/8" 98 1/4" 98 3/8" 98 1/2" 98 5/8" 98 3/4" 99" 99 1/8" 99 1/4" 99 3/8" 99 1/2" 99 5/8" 99 3/4" 100" 100 1/8" 100 1/4" 100 3/8" 100 1/2" 100 5/8" 100 3/4" </small>	<b>8760 RRT SCALE</b> <b>DOUBLE+DOUBLE CONFIGURATION</b> <b>25' INTERIOR APPROACH</b> <b>115#/YD A.R.E.A. RAIL</b> <small>MODEL: 8760</small>	
<small>SCALE: NTS</small> <small>SHEET: 2 OF 2</small> <small>DRAWING NUMBER: 92725-AS-25</small>	<small>DRAWN: LDC</small> <small>DATE: 2/11/15</small> <small>APPROVED:</small>	<small>CHECKED:</small> <small>DATE:</small> <small>REV:</small>		