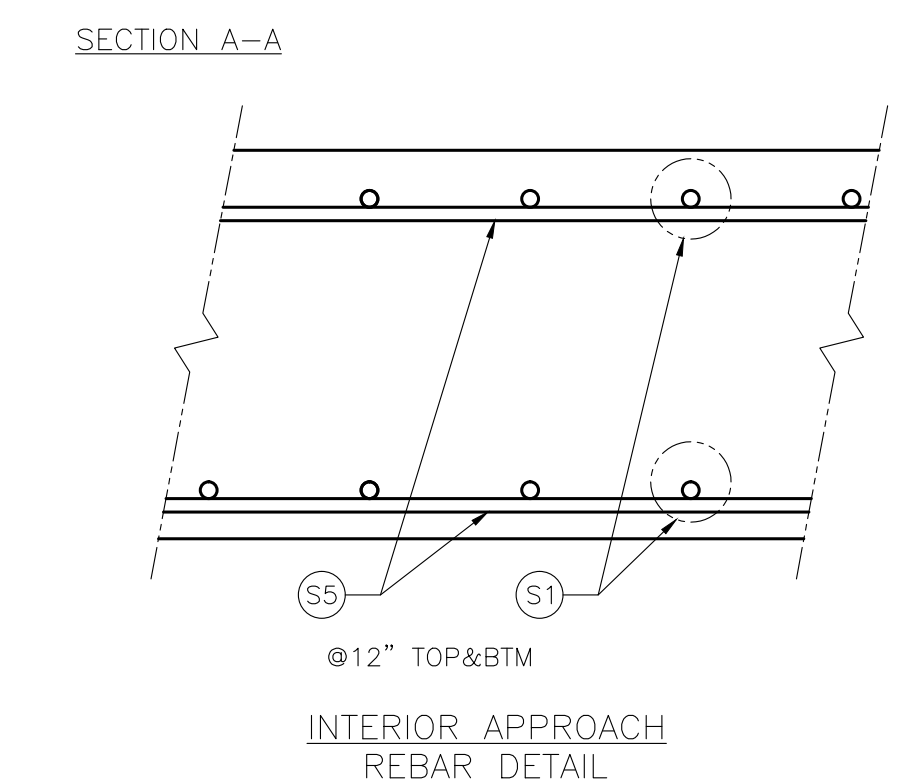
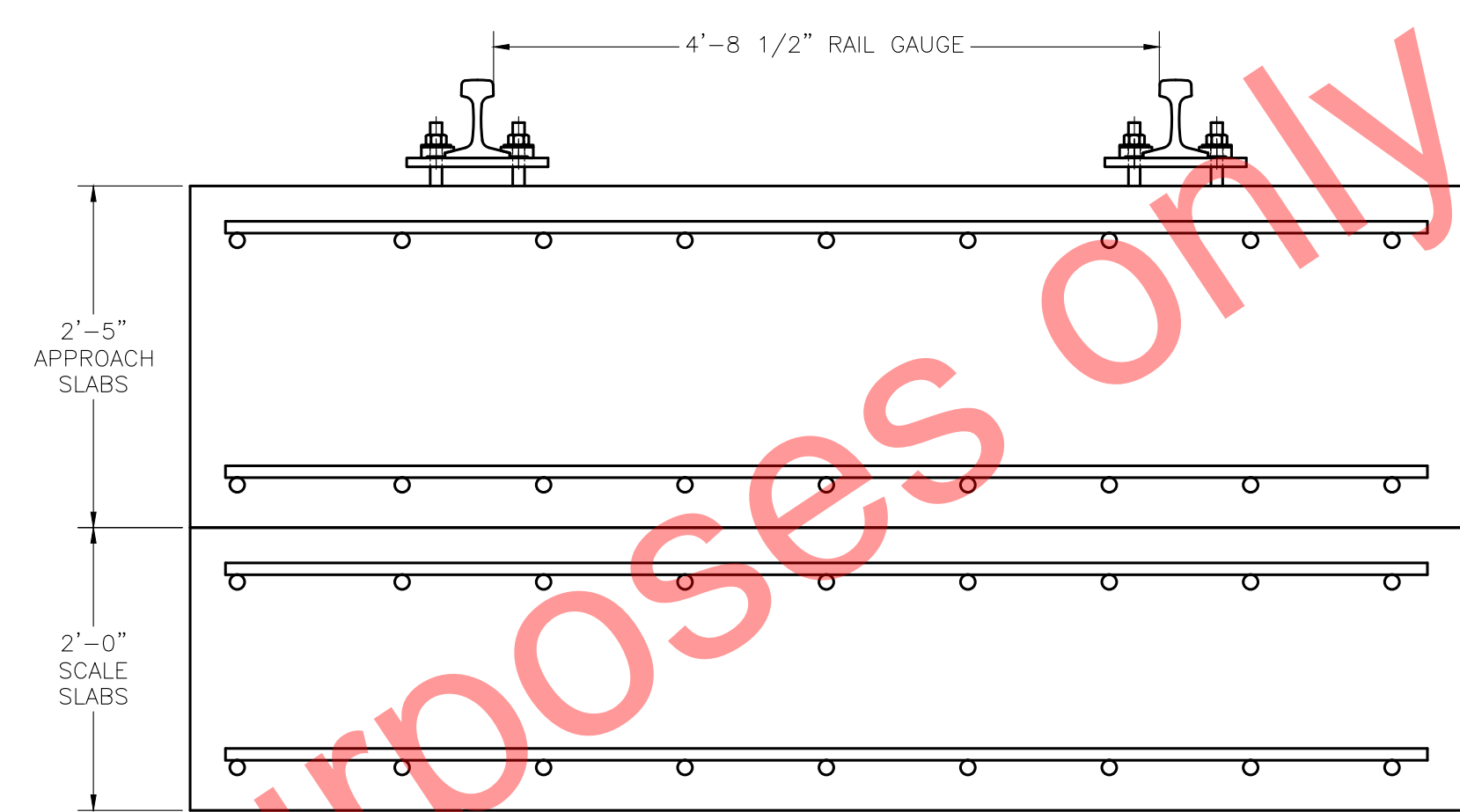


ANCHOR NOTE:
ANCHOR BOLTS MUST BE POURED IN PLACE WITH HARDWARE AS SHOWN. USE GROUT PLATE OR TEMPLATE TO HOLD CENTERS. DO NOT GROUT PLATES UNTIL SCALE IS INSTALLED AND LEVELLED WITH APPROACH RAILS.

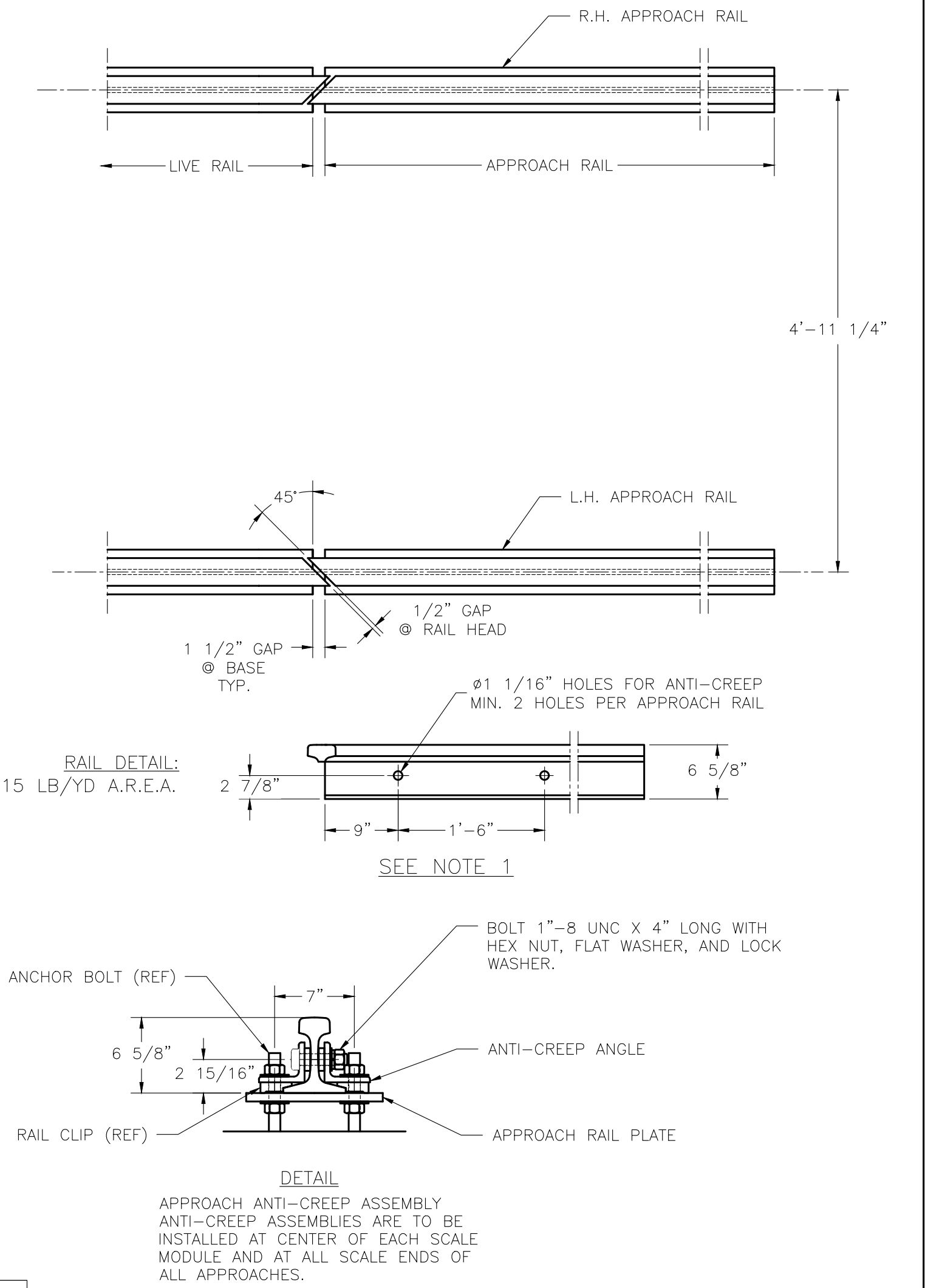


FOUNDATION CONCRETE 4000 PSI MINIMUM		
LOCATION	QTY	(CU. YDS)
25' END APPROACH SLABS	40.3	
SINGLE UNIT SCALE SLABS	24.2	
INTERIOR APPROACH SLAB	20.2	
TOTAL CONCRETE	84.7	

FOUNDATION REINFORCING SCHEDULE ASTM 615 - GRADE 60					
MARK	QTY	SIZE	LENGTH	WEIGHT (LBS)	COMMENT
S1	222	#6	8'-6"	2,835	ALL LATERAL BARS
S2	36	#6	24'-6"	1,325	LONG. EA. END APPROACH
S3	36	#6	17'-6"	947	LONG. SINGLE SLAB
S5	18	#6	24'-6"	663	LONG. INTERIOR APPROACH
B1	72	#6	4'-4"	469	VERT. SLAB TO APPROACH; BENT 3'-10" X 6"
TOTAL WEIGHT				6,239	

- NOTES:**
- TO ASSURE PROPER FIT, APPROACH RAILS MUST BE DRILLED (FOR ANTI-CREEP DEVICES) IN THE FIELD AFTER THE RAIL IS LOCATED IN PLACE. USE THE ANTI-CREEP DEVICE AS A TEMPLATE TO LOCATE THE HOLES THROUGH THE RAIL WEB.
 - RAIL IS NOT SUPPLIED BY THURMAN SCALE COMPANY. ANCHOR BOLTS, ANTI-CREEP DEVICES, RAIL PLATES AND RAIL CLIPS FOR THE APPROACHES ARE INCLUDED IN THE OPTIONAL APPROACH KIT AND WILL BE SUPPLIED BY THURMAN SCALE COMPANY ONLY WHEN SPECIFIED ON THE SALES ORDER. ANCHOR BOLTS FOR THE SCALE ARE ALSO AVAILABLE IN AN OPTIONAL KIT AVAILABLE THROUGH THURMAN SCALE COMPANY.
 - THE 6 INCH DIMENSION TO LOCATE THE FIRST SET OF APPROACH ANCHOR BOLTS OFF EACH END WALL MUST BE MAINTAINED. THE REMAINING ANCHOR BOLTS ARE TO BE LOCATED AT 2'-0" CENTERS EXCEPT AS SPECIFIED IN CENTER APPROACH.
 - CONCRETE: USE 4000 PSI COMPRESSIVE STRENGTH CONCRETE AT 28 DAY AGE. USE AIR ENTRAINMENT OF 5-7%.
 - REINFORCING STEEL IS TO CONFORM TO A.S.T.M. A-615 GRADE 60 SPECIFICATIONS. SPLICING IS PERMISSIBLE USING A 4' OVERLAP.
 - REINFORCING STEEL AND CONCRETE SHOULD BE PLACED ACCORDING TO THE BEST PRACTICE AS PRESCRIBED BY THE LATEST ACI CODE AND A.R.E.M.A. MANUAL CHAPTER 8.
 - GROUTING: APPROACH RAIL PLATES AND SCALE GROUT PLATES MUST BE GROUTED IN PLACE AFTER WEIGHBRIDGES, LOADCELLS AND APPROACH RAILS ARE IN CORRECT WEIGHING POSITION. USE BEST AVAILABLE TYPE GROUT TO DEVELOP 10,000 PSI COMPRESSIVE STRENGTH. FOLLOW THE GROUT MANUFACTURER INSTRUCTIONS FOR SURFACE PREPARATION, FORMS, MIXING AND PLACEMENT PROCEDURES.
 - THE FOUNDATION DETAILS AS SHOWN ON THIS DRAWING ARE BASED ON AN ALLOWABLE SOIL BEARING CAPACITY OF 4,000 PSF AS REQUIRED BY AAR.
 - A SOIL ANALYSIS OF THE SITE SHOULD BE PERFORMED TO DETERMINE ACTUAL SOIL BEARING CAPACITY. IF THE SOIL DOES NOT HAVE A BEARING CAPACITY OF AT LEAST 4,000 PSF, AND ITS BEARING CAPACITY CAN NOT BE INCREASED BY DRAINAGE OR OTHER MEANS, PILE FOUNDATIONS MAY BE REQUIRED.
 - FOR LOCATIONS WITH SOILS THAT ARE WELL DRAINED, THE EXCAVATION SHALL BE TO THE SAME PLANE AS THE BOTTOM OF THE BASE SLAB. IN LOCATION WITH SOIL OF LOW PERMEABILITY AND POOR DRAINAGE, OVER-EXCAVATION AND BACKFILLING WITH AN ENGINEERED GRANULAR MATERIAL IS RECOMMENDED. COMPACT TO A MINIMUM OF 95% DENSITY.
 - THE FINISHED GRADE OF SURROUNDING AREA IS TO BE SLOPED AWAY FROM THE SCALE FOUNDATION TO PROVIDE DRAINAGE AWAY FROM THE SCALE FOUNDATION.
 - IF INSTALLING A DRAIN OR SUMP, SLOPE TOP OF SCALE SLAB TO DRAIN AND BEND REBAR AROUND DRAIN (DO NOT CUT).
 - AAR REQUIRES 75 FEET OF TANGENT AT EACH END OF THE SCALE. APPROACHES SHOULD BE ON THE SAME PLANE AND ALIGNMENT AS SCALE.
 - THE FOUNDATION DIMENSIONS SHOWN ARE THE MINIMUM TO ACCOMMODATE THE SCALE. LOCAL WEIGHTS AND BUILDING CODE AND MEASUREMENTS REGULATION MAY SPECIFY ADDITIONAL INSTALLATION REQUIREMENTS. IN ORDER TO ENSURE COMPLIANCE, CONSULT THE GOVERNING WEIGHTS AND MEASURES DEPARTMENT PRIOR TO CONSTRUCTION.
 - GROUND ROD LOCATION MARKED "SGR" INDICATE APPROXIMATE LOCATIONS FOR GROUND RODS SUPPLIED BY THURMAN SCALE AS FOUNDATION EMBED ITEMS. THESE GROUND RODS ARE INTENDED TO BE USED AS PART OF THE SCALE GROUNDING KIT.
 - GROUND ROD LOCATION MARKED "AGR" INDICATE APPROXIMATE LOCATIONS FOR GROUND RODS SUPPLIED BY CUSTOMER OR CONTRACTOR. THESE GROUND RODS ARE INTENDED TO BE USED TO GROUND ALL APPROACH RAILS ADJACENT TO SCALE.
 - ONE GROUND ROD SHOULD BE USED TO GROUND THE SCALE PIT POWER SUPPLY. THIS ROD SHOULD BE LOCATED AT THE SCALE SECTION WHERE THE PIT POWER SUPPLY IS MOUNTED. REFER TO THURMAN GROUNDING KIT INSTRUCTION BULLETIN FOR ADDITIONAL INFORMATION.
 - IF ALTERNATING CURRENT (AC) IS REQUIRED IN PIT, IT SHALL NOT RUN CLOSER THAN 24" IN PARALLEL TO ANY CELL CABLE.

THIS DRAWING IS SUPPLIED AS CHECKED BELOW:
 CERTIFIED FOR CONSTRUCTION, THURMAN SERIAL#
 REFERENCE (ESTIMATES ONLY, NOT FOR CONSTRUCTION)
 CUSTOMER: _____ DATE: _____
 CUSTOMER P.O.# _____ DATE: _____
 CUSTOMER APPROVAL, RETURN ONE COPY.
 (ORDER ON HOLD UNTIL SIGNED COPY IS RETURNED)
 APPROVED AS DRAWING, APPROVED BY: _____ DATE: _____
 APPROVED AS NOTED, APPROVED BY: _____ DATE: _____



8760 RRT SCALE
 SINGLE+ SINGLE CONFIGURATION
 25' INTERIOR APPROACH
 FULL SLAB FOUNDATION

SCALE: NTS DRAWN: LDC CHECKED: _____
 SHEET: 1 OF 2 DATE: 2/11/15 APPROVED: _____
 DRAWING NUMBER: 92723-SL-25

THURMAN SCALE