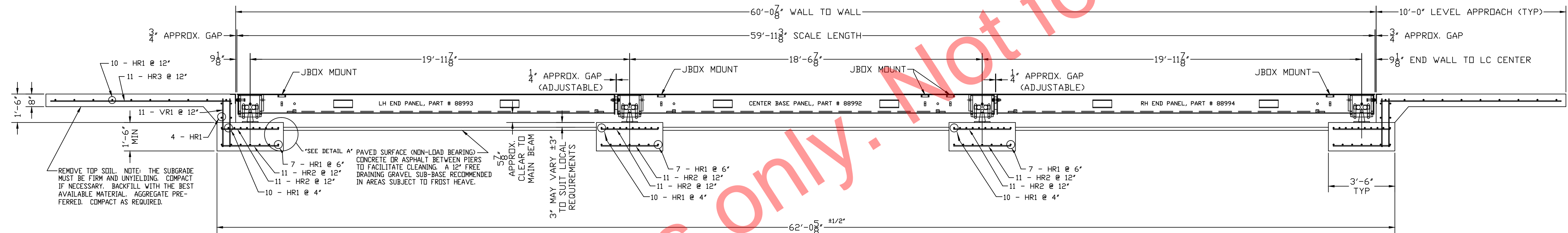


PLAN VIEW



ELEVATION SECTION

NOTES:

1. FOUNDATION SHOWN IS DESIGNED FOR SOILS WITH A MINIMUM BEARING CAPACITY OF 3000 PSF AND ADEQUATE DRAINAGE. IF SOIL CONDITIONS DO NOT MEET THESE REQUIREMENTS, ADJUST FOUNDATION OR SOIL CONDITIONS AS REQUIRED.
2. IN AREAS OF THE COUNTRY WHERE THERE IS SEVERE FREEZING, INCREASE THE DEPTH OF THE FOUNDATION SO THAT THE BOTTOM EXTENDS BELOW THE FROST LINE, OR PROVIDE A MINIMUM OF 12" FREE DRAINING GRANULAR MATERIAL TO PREVENT FROST HEAVE.
3. N.I.S.T. H-44 REQUIREMENTS AND LOCAL WEIGHTS AND MEASURES REGULATIONS MAY REQUIRE INSTALLATION PARAMETERS SOMEWHAT DIFFERENT THAN ILLUSTRATED ON THIS PLAN. IN ORDER TO INSURE COMPLIANCE, CONSULT THE LOCAL WEIGHTS & MEASURES OFFICE PRIOR TO CONSTRUCTION.
4. REFER TO SCALE MANUAL FOR INSTALLATION AND OPERATION INSTRUCTIONS.
5. A MINIMUM OF 24" OF CLEARANCE IS REQUIRED ON JUNCTION BOX SIDE OF THE SCALE NEAR THE BOX MOUNTS.

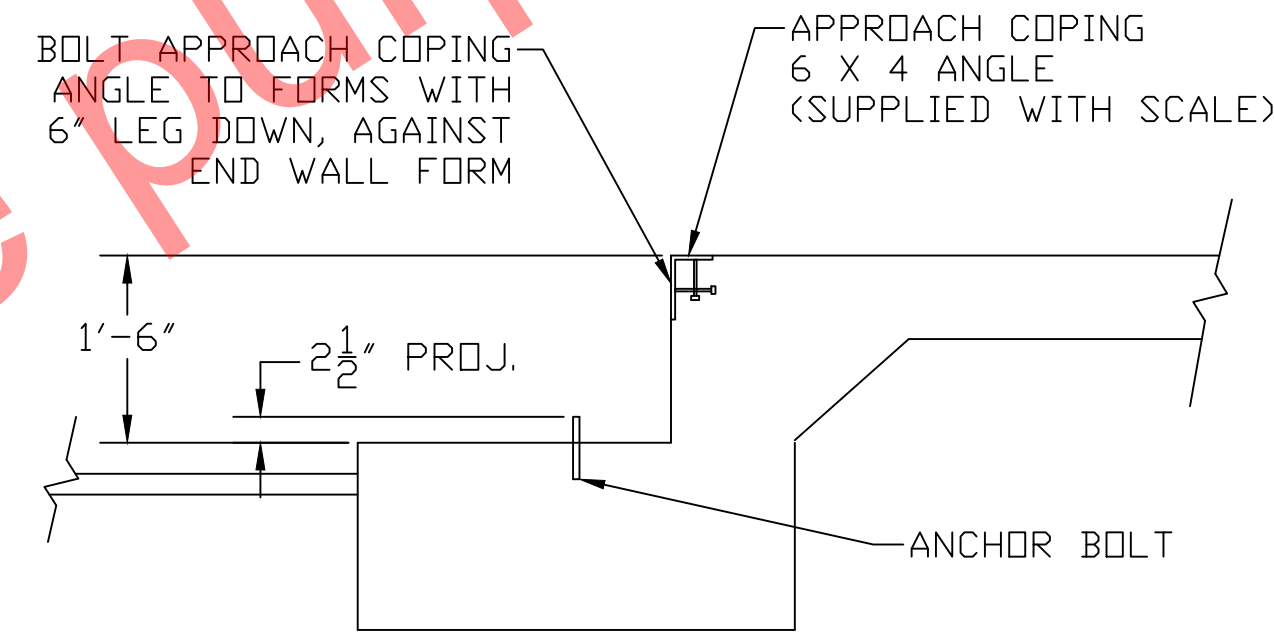
FOUNDATION CONCRETE REQUIREMENTS
4000 P.S.I.

AREA	QUANTITIES
PIERS AS SHOWN	9 CU. YD.
APPROACHES	7 CU. YD.
FLOOR AT 2" THICK	3.5 CU. YD.
TOTAL	19.5 CU. YD.

FOUNDATION REINFORCING BAR SCHEDULE
ASTM A615 GRADE 60

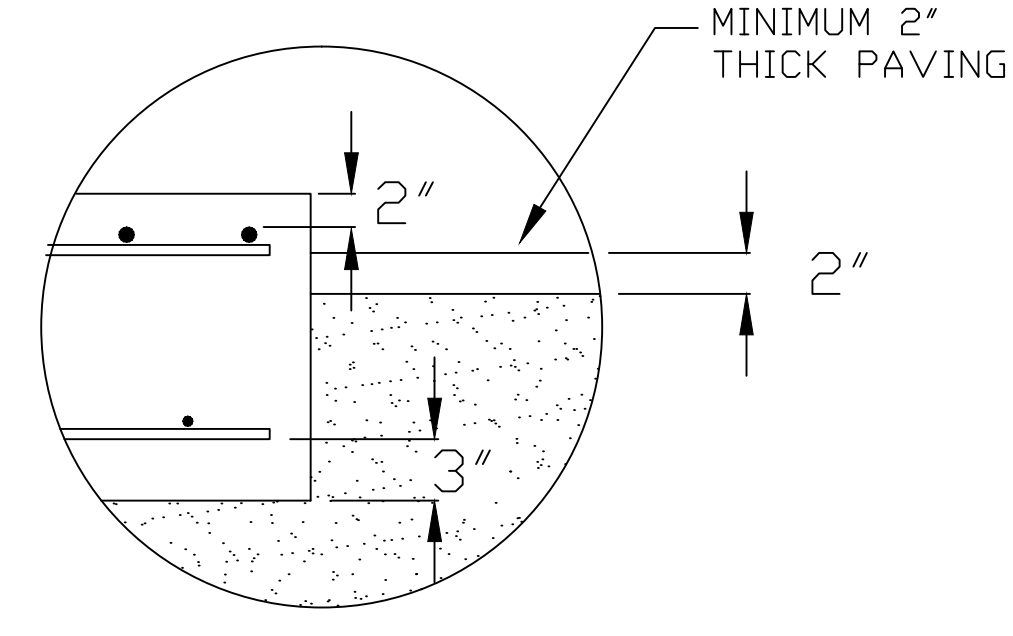
MARK	NO.	REQ'D.	SIZE	LENGTH	WT.
HR1	96	#4	10'-6"	674	
HR2	88	#4	3'-0"	177	
HR3	22	#4	9'-6"	140	
VR1	44	#4	2'-6"	74	
TOTAL WT:					1065

- REINFORCING STEEL NOTES:
1. REINFORCING STEEL SHALL BE FREE OF ALL MUD, DEBRIS, CEMENT GROUT, LOOSE RUST, GREASE, AND OIL.
 2. TACK WELDING OF BARS IS PROHIBITED.



DRILL TYPE ANCHOR INFORMATION
(DRILL TYPE ANCHORS PROVIDED WITH THE SCALE)
FOR THE LC STANDS (16 REQUIRED)
5/8 DIA X 6" STUD TYPE ANCHORS
DRILL DIA 5/8", DRILL DEPTH 3 1/2"

ANCHOR DETAIL



"DETAIL A"

THIS DRAWING IS SUPPLIED AS CHECKED BELOW:

REFERENCE (ESTIMATES ONLY, NOT FOR CONSTRUCTION)

CERTIFIED FOR CONSTRUCTION, THURMAN #

CUSTOMER: _____ DATE: _____

CUSTOMER P.O.# _____

(ORDER ON HOLD UNTIL SIGNED COPY IS RETURNED)

APPROVED AS DRAWN, APPROVED BY: _____ DATE: _____

APPROVED AS NOTED, APPROVED BY: _____ DATE: _____

LET	BY	DATE	REVISION
2	JCR	6/21/11	UPDATED STRAY LINES IN SECTION 3
1	LDC	2/16/10	GENERALIZED APPROACH COPING DESIGNATION

THURMAN SCALE
COLUMBUS, OH

8560 DIAMONDBACK 90K CLC
60' X 11' FOUNDATION
(4 SECTION, DB LC)

DATE: 6/18/07

SCALE: N/A

DRAWN BY: CMC

CHECKED BY: _____

APPROVED BY: _____

DRAWING NUMBER: 92382-FT

REVISION: 2

MATERIAL: A36

FINISH: N/A

UNLESS OTHERWISE SPECIFIED: DIMENSIONS ARE IN INCHES. TOLERANCES: FRACTIONS ±1/16" ANGLES ±1/2° DECIMAL ±0.015" 2-PLACE DECIMAL ±0.02" HOLE DIMETERS ±1/32"