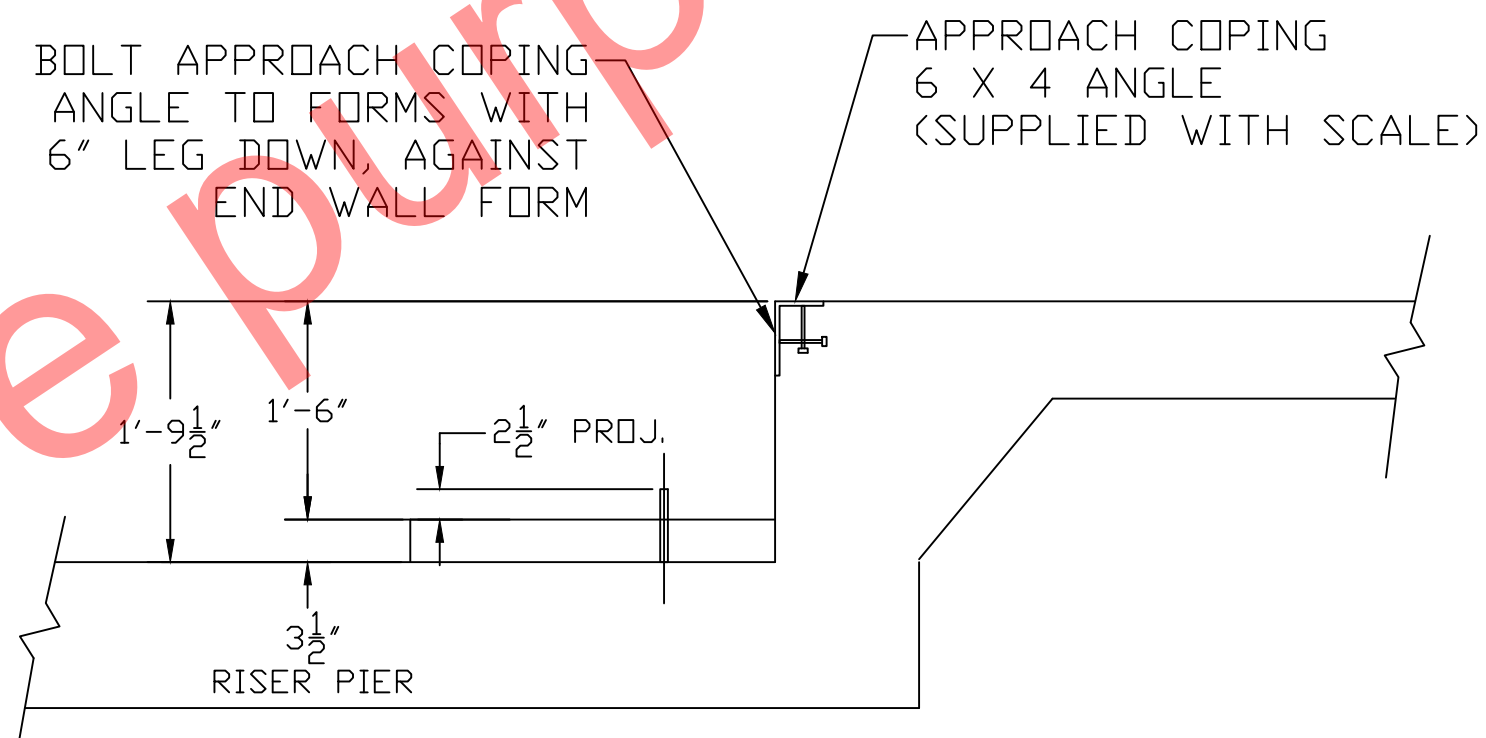


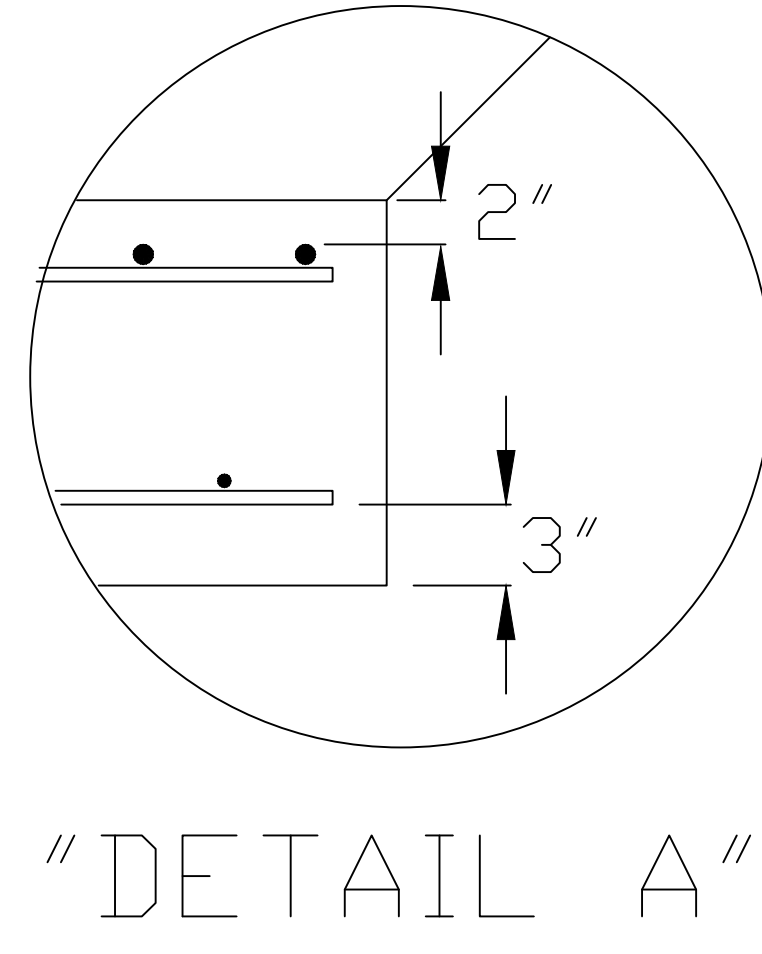
FOUNDATION CONCRETE REQUIREMENTS	
4000 P.S.I.	
AREA	QUANTITIES
SCALE SLAB	27 CU. YD.
APPROACHES	6.5 CU. YD.
PIERS	1 CU. YD.
TOTAL	34.5 CU. YD.

FOUNDATION REINFORCING BAR SCHEDULE				
ASTM A615 GRADE 60				
MARK	NO.	REQ'D.	SIZE	WT.
HR1	40	#4	9'-6"	254
HR2	20	#4	9'-6"	127
HR3	80	#4	5'-0"	267
HR4	119	#4	9'-6"	755
HR5	30	#4	21'-0"	421
VR1	40	#4	2'-4"	62
VR2	64	#4	1'-0"	43
TOTAL WT:				1929

REINFORCING STEEL NOTES:
1. REINFORCING STEEL SHALL BE FREE OF ALL MUD, DEBRIS, CEMENT GROUT, LOOSE RUST, GREASE, AND OIL.
2. TACK WELDING OF BARS IS PROHIBITED.



DRILL TYPE ANCHOR INFORMATION
(DRILL TYPE ANCHORS PROVIDED WITH THE SCALE)
FOR THE LC STANDS (16 REQUIRED)
5/8 DIA X 6" STUD TYPE ANCHORS
DRILL DIA 5/8", DRILL DEPTH 3 1/2"



- NOTES:
- FOUNDATION SHOWN IS DESIGNED FOR SOILS WITH A MINIMUM BEARING CAPACITY OF 2000 PSF AND ADEQUATE DRAINAGE. IF SOIL CONDITIONS DO NOT MEET THESE REQUIREMENTS, ADJUST FOUNDATION OR SOIL CONDITIONS AS REQUIRED.
 - IN AREAS OF THE COUNTRY WHERE THERE IS SEVERE FREEZING, INCREASE THE DEPTH OF THE FOUNDATION SO THAT THE BOTTOM EXTENDS BELOW THE FROST LINE, OR PROVIDE A MINIMUM OF 12" FREE DRAINING GRANULAR MATERIAL TO PREVENT FROST HEAVE.
 - N.I.S.T. H-44 REQUIREMENTS AND LOCAL WEIGHTS AND MEASURES REGULATIONS MAY REQUIRE INSTALLATION PARAMETERS SOMEWHAT DIFFERENT THAN ILLUSTRATED ON THIS PLAN. IN ORDER TO INSURE COMPLIANCE, CONSULT THE LOCAL WEIGHTS & MEASURES OFFICE PRIOR TO CONSTRUCTION.
 - REFER TO SCALE MANUAL FOR INSTALLATION AND OPERATION INSTRUCTIONS.
 - A MINIMUM OF 24" OF CLEARANCE IS REQUIRED ON JUNCTION BOX SIDE OF THE SCALE NEAR THE BOX MOUNTS.

THIS DRAWING IS SUPPLIED AS CHECKED BELOW:
 REFERENCE (ESTIMATES ONLY, NOT FOR CONSTRUCTION)
 CERTIFIED FOR CONSTRUCTION, THURMAN SERIAL#
CUSTOMER:
CUSTOMER P.O.# DATE:
 CUSTOMER APPROVAL, RETURN ONE COPY.
(ORDER ON HOLD UNTIL SIGNED COPY IS RETURNED)
 APPROVED AS DRAWN, APPROVED BY: DATE:
 APPROVED AS NOTED, APPROVED BY: DATE:

LET	BY	DATE	REVISION

THE MATERIAL AND INFORMATION CONTAINED HEREIN IS CONFIDENTIAL AND IS THE PROPERTY OF THURMAN SCALE COMPANY AND IS NOT TO BE USED, DISCLOSED, COPIED, TRANSFERRED, OR REPRODUCED WITHOUT THE PRIOR WRITTEN PERMISSION OF THURMAN SCALE COMPANY.

UNLESS OTHERWISE SPECIFIED: DIMENSIONS ARE IN INCHES
TOLERANCES: FRACTIONS ±1/8"
 DECIMALS ±.005
3-PLACE DECIMAL ±0.005
2-PLACE DECIMAL ±1/32"
HOLE DIAMETERS ±1/32"

MATERIAL	FINISH
A36	N/A

THURMAN SCALE
COLUMBUS, OH

8560 DIAMONDBACK 90K CLC
70' X 10' (4 SEC)
FULL SLAB FOUNDATION
W/ 3.5' RISER PIERS

DATE: 2/10/12
SCALE: N/A
DRAWN BY: JCR
CHECKED BY:
APPROVED BY:

MODEL: SHEET 1 OF 1
DRAWING NUMBER: 92372-SL-RP
REVISION: 0