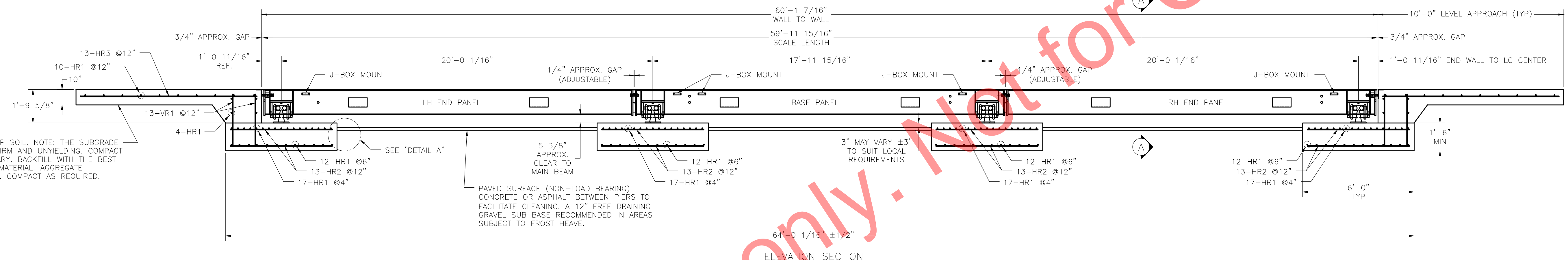


INSTALL (2) 3/4" X 8'-0" LONG GROUND RODS (TO PROJECT 3"). ONE FOR GROUNDING INTALOGIX POWER SUPPLY, ONE FOR GROUNDING SCALE WEIGHBRIDGE. POWER SUPPLY GROUND MUST BE SEPARATE FROM WEIGHBRIDGE GROUND. TWO GROUND RODS ARE SUPPLIED WITH SCALE.

1" MIN. CONDUIT (BY OTHERS) FOR CABLE FROM JUNCTION BOX TO SCALEHOUSE. CONDUIT TO EXTEND 2" ABOVE THE TOP OF PIER.

N.I.S.T. H-44 REQUIRES THAT ON THE APPROACH ENDS OF THIS VEHICLE SCALE, THERE SHALL BE A STRAIGHT APPROACH AT LEAST HALF THE LENGTH OF THE PLATFORM, BUT NOT REQUIRED TO BE MORE THAN 40 FEET. NOT LESS THAN 10 FEET OF ANY APPROACH ADJACENT TO THE PLATFORM SHALL BE LEVEL AND CONSTRUCTED OF CONCRETE OR SIMILAR DURABLE MATERIAL. ANY SLOPE IN THE REMAINING PORTION OF THE APPROACH SHALL ENSURE EASE OF VEHICLE ACCESS, EASE FOR TESTING PURPOSES, AND DRAINAGE AWAY FROM THE SCALE.



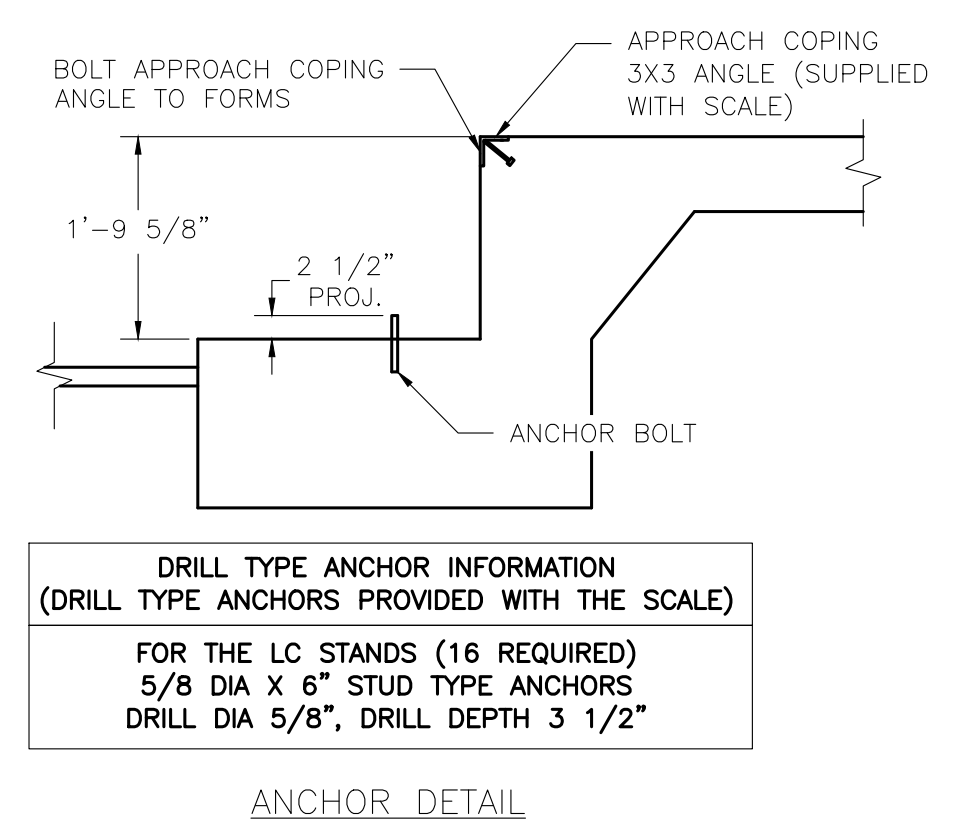
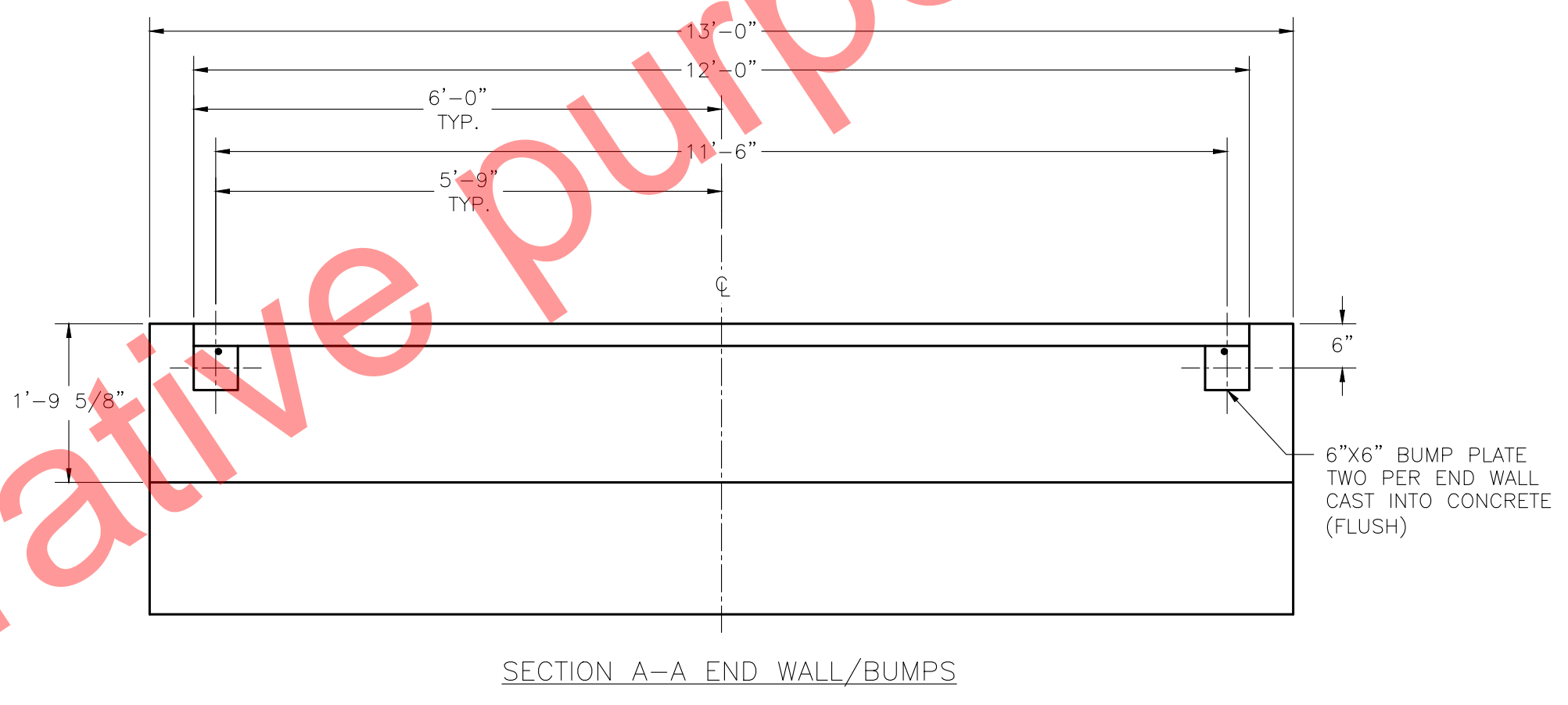
REMOVE TOP SOIL. NOTE: THE SUBGRADE MUST BE FIRM AND UNYIELDING. COMPACT IF NECESSARY. BACKFILL WITH THE BEST AVAILABLE MATERIAL. AGGREGATE PREFERRED. COMPACT AS REQUIRED.

PAVED SURFACE (NON-LOAD BEARING) CONCRETE OR ASPHALT BETWEEN PIERS TO FACILITATE CLEANING. A 12" FREE DRAINING GRAVEL SUB BASE RECOMMENDED IN AREAS SUBJECT TO FROST HEAVE.

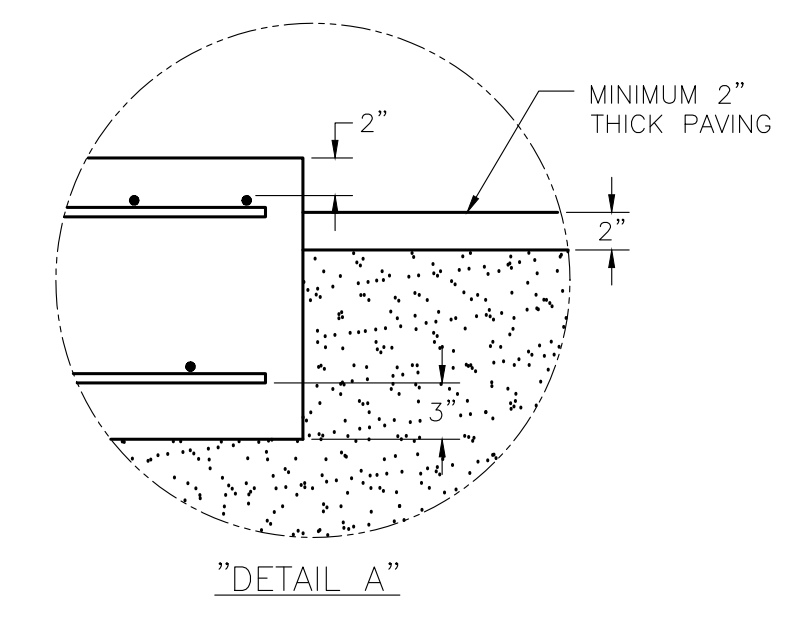
FOUNDATION CONCRETE 4000 PSI MINIMUM	
LOCATION	QTY (CU. YDS)
PIERS AS SHOWN	17.5
APPROACHES	10.5
FLOOR AT 2" THICK	3
TOTAL CONCRETE	31 CU. YDS.

FOUNDATION REINFORCING SCHEDULE ASTM 615 - GRADE 60				
MARK	QTY	SIZE	LENGTH	WEIGHT (LBS)
HR1	144	#4	12'-6"	1202
HR2	104	#4	5'-6"	382
HR3	26	#4	9'-6"	165
VR1	52	#4	2'-9"	96
TOTAL WEIGHT				1845

REINFORCING STEEL NOTES:
1. REINFORCING STEEL SHALL BE FREE OF ALL MUD, DEBRIS, CEMENT GROUT, LOOSE RUST, GREASE, AND OIL.
2. TACK WELDING OF BARS IS PROHIBITED.



**DRILL TYPE ANCHOR INFORMATION
(DRILL TYPE ANCHORS PROVIDED WITH THE SCALE)**
FOR THE LC STANDS (16 REQUIRED)
5/8 DIA X 6" STUD TYPE ANCHORS
DRILL DIA 5/8", DRILL DEPTH 3 1/2"



- NOTES:
- FOUNDATION SHOWN IS DESIGNED FOR SOILS WITH A MINIMUM BEARING CAPACITY OF 3000 PSF AND ADEQUATE DRAINAGE. IF SOIL CONDITIONS DO NOT MEET THESE REQUIREMENTS, ADJUST FOUNDATION OR SOIL CONDITIONS AS REQUIRED.
 - IN AREAS OF THE COUNTRY WHERE THERE IS SEVERE FREEZING, INCREASE THE DEPTH OF THE FOUNDATION SO THAT THE BOTTOM EXTENDS BELOW THE FROST LINE, OR PROVIDE A MINIMUM OF 12" FREE DRAINING GRANULAR MATERIAL TO PREVENT FROST HEAVE.
 - N.I.S.T. H-44 REQUIREMENTS AND LOCAL WEIGHTS AND MEASURES REGULATIONS MAY REQUIRE INSTALLATION PARAMETERS SOMEWHAT DIFFERENT THAN ILLUSTRATED ON THIS PLAN. IN ORDER TO INSURE COMPLIANCE, CONSULT THE LOCAL WEIGHTS & MEASURES OFFICE PRIOR TO CONSTRUCTION.
 - REFER TO SCALE MANUAL FOR INSTALLATION AND OPERATION INSTRUCTIONS.
 - A MINIMUM OF 24" OF CLEARANCE IS REQUIRED ON JUNCTION BOX SIDE OF THE SCALE NEAR THE BOX MOUNTS.

REVISIONS			
REV	BY	DATE	DESCRIPTION
2	JCR	12/4/2015	REVISED DIMENSIONS TO START FROM C IN PLAN VIEW
1	JCR	9/26/2011	MOVED BASE MODULE TO CENTER OF SCALE

THIS DRAWING IS SUPPLIED AS CHECKED BELOW: <input checked="" type="checkbox"/> REFERENCE (ESTIMATES ONLY, NOT FOR CONSTRUCTION) <input type="checkbox"/> CERTIFIED FOR CONSTRUCTION, THURMAN SERIAL#	CUSTOMER: CUSTOMER P.O.# _____ DATE: _____ (ORDER ON HOLD UNTIL SIGNED COPY IS RETURNED) <input type="checkbox"/> APPROVED AS DRAWING, APPROVED BY: _____ DATE: _____ <input type="checkbox"/> APPROVED AS NOTED, APPROVED BY: _____ DATE: _____	<table border="1"> <tr> <td>THE INFORMATION CONTAINED HEREIN AND IN ANY OTHER DRAWINGS IS THE UNPUBLISHED AND CONFIDENTIAL PROPERTY OF THURMAN SCALE. IT IS TO BE USED ONLY FOR THE PROJECT AND NOT BE REPRODUCED, COPIED, DISCLOSED, OR TRANSMITTED IN ANY MANNER WITHOUT WRITTEN PERMISSION FROM THURMAN SCALE. THURMAN SCALE ASSUMES NO RESPONSIBILITY OR LIABILITY TO THIS DOCUMENT AFTER PROOFING, TRANSMISSION.</td> <td>UNLESS OTHERWISE SPECIFIED, DIMENSIONS ARE AS FOLLOWS: FRACTIONS 1/16" DECIMALS .0005 3-PLACE DECIMALS .0005 2-PLACE DECIMALS .0100 HOLE DIAMETERS +1/32"</td> <td> 8560 D'BACK XD 130K CLC 60' X 12' FOUNDATION (4 SECTION, DB LC) </td> <td> </td> </tr> </table>	THE INFORMATION CONTAINED HEREIN AND IN ANY OTHER DRAWINGS IS THE UNPUBLISHED AND CONFIDENTIAL PROPERTY OF THURMAN SCALE. IT IS TO BE USED ONLY FOR THE PROJECT AND NOT BE REPRODUCED, COPIED, DISCLOSED, OR TRANSMITTED IN ANY MANNER WITHOUT WRITTEN PERMISSION FROM THURMAN SCALE. THURMAN SCALE ASSUMES NO RESPONSIBILITY OR LIABILITY TO THIS DOCUMENT AFTER PROOFING, TRANSMISSION.	UNLESS OTHERWISE SPECIFIED, DIMENSIONS ARE AS FOLLOWS: FRACTIONS 1/16" DECIMALS .0005 3-PLACE DECIMALS .0005 2-PLACE DECIMALS .0100 HOLE DIAMETERS +1/32"	8560 D'BACK XD 130K CLC 60' X 12' FOUNDATION (4 SECTION, DB LC)	
THE INFORMATION CONTAINED HEREIN AND IN ANY OTHER DRAWINGS IS THE UNPUBLISHED AND CONFIDENTIAL PROPERTY OF THURMAN SCALE. IT IS TO BE USED ONLY FOR THE PROJECT AND NOT BE REPRODUCED, COPIED, DISCLOSED, OR TRANSMITTED IN ANY MANNER WITHOUT WRITTEN PERMISSION FROM THURMAN SCALE. THURMAN SCALE ASSUMES NO RESPONSIBILITY OR LIABILITY TO THIS DOCUMENT AFTER PROOFING, TRANSMISSION.	UNLESS OTHERWISE SPECIFIED, DIMENSIONS ARE AS FOLLOWS: FRACTIONS 1/16" DECIMALS .0005 3-PLACE DECIMALS .0005 2-PLACE DECIMALS .0100 HOLE DIAMETERS +1/32"	8560 D'BACK XD 130K CLC 60' X 12' FOUNDATION (4 SECTION, DB LC)				