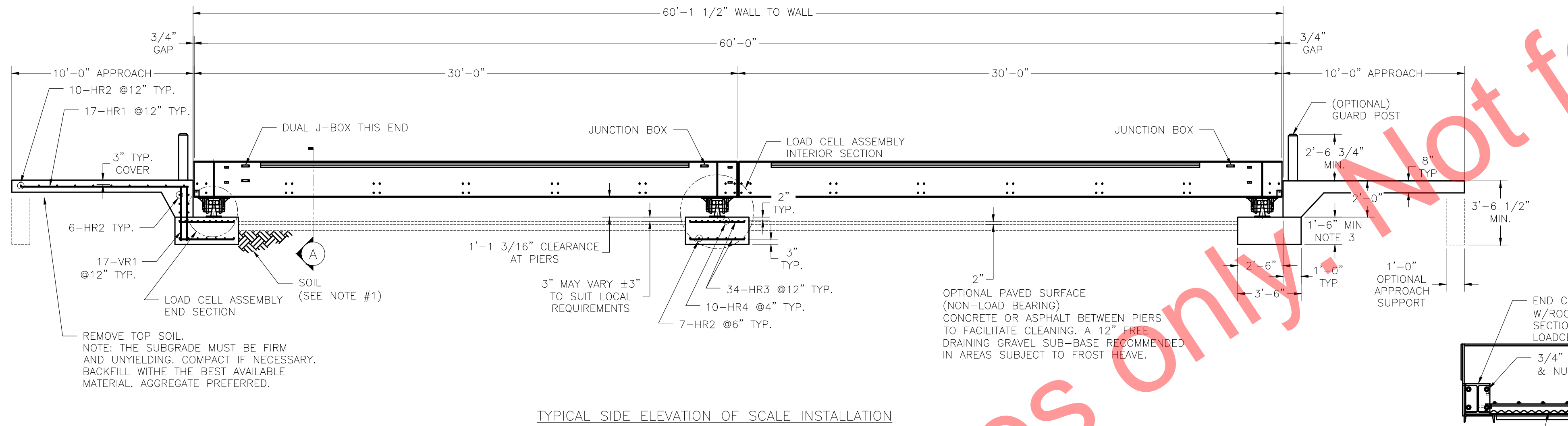
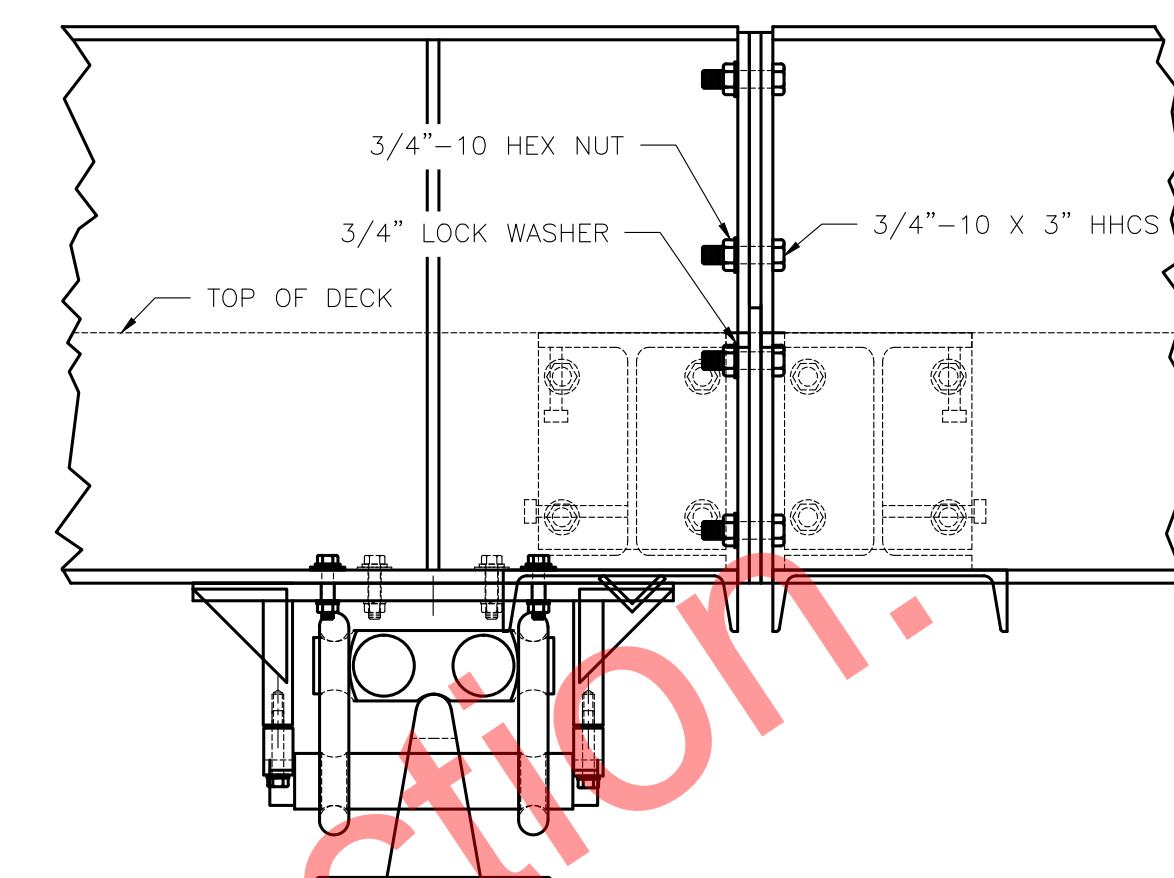


INSTALL (2) 3/4" x 8'-0" LONG GROUND RODS (TO PROJECT 3") ONE FOR GROUNDING INTALOGIX POWER SUPPLY, POSITION TO MATCH LOCATION OF CONDUIT FOR CABLE TO SCALE INDICATOR. 6" ONE FOR GROUNDING SCALE WEIGHBRIDGE. POWER SUPPLY GROUND MUST BE SEPARATE FROM WEIGHBRIDGE GROUND. TWO GROUND RODS ARE SUPPLIED WITH SCALE.

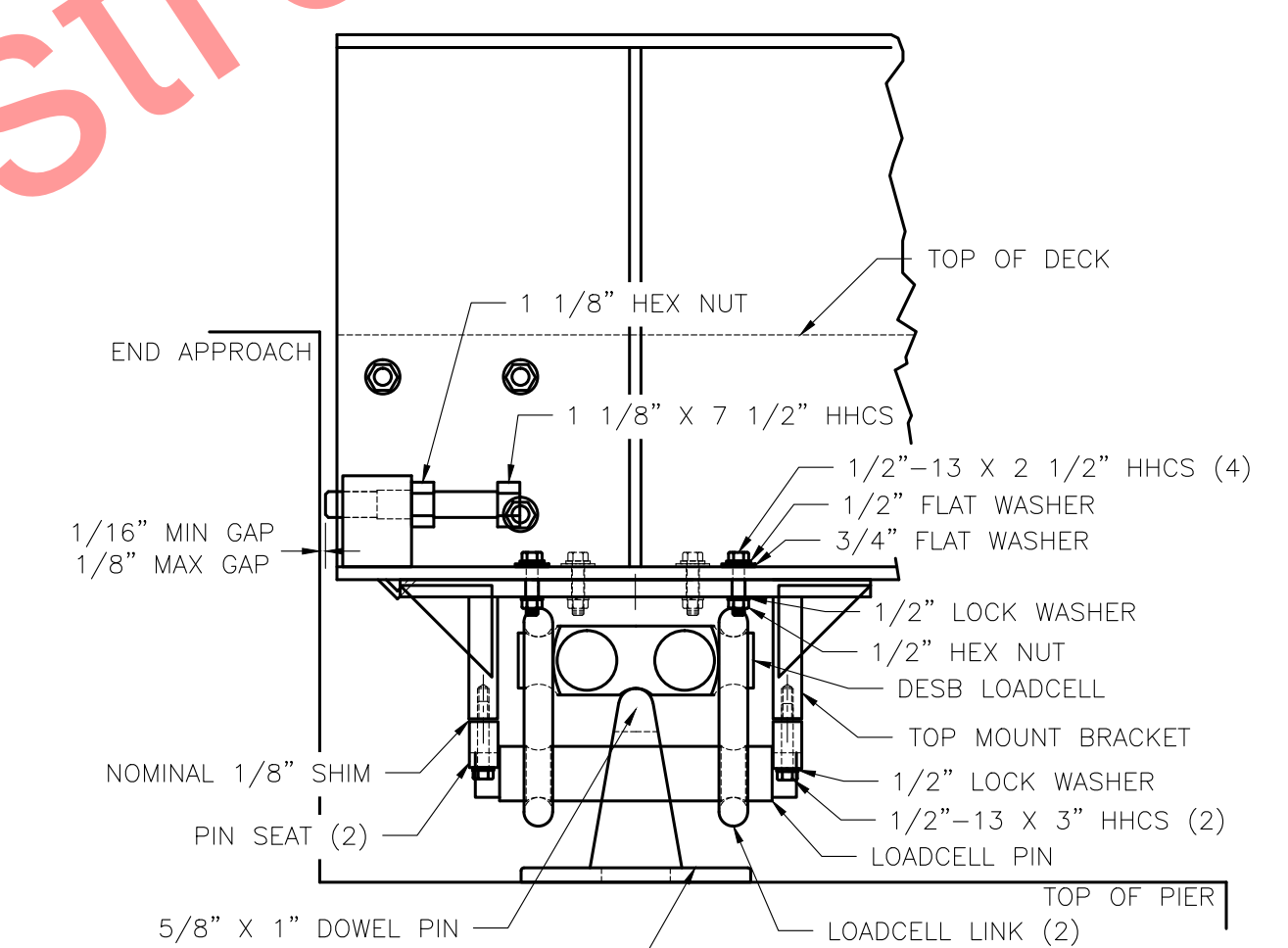
1" MIN. CONDUIT (BY OTHERS) FOR CABLE FROM J-BOX TO SCALE HOUSE. CONDUIT TO EXTEND 2" ABOVE THE TOP OF PIER.



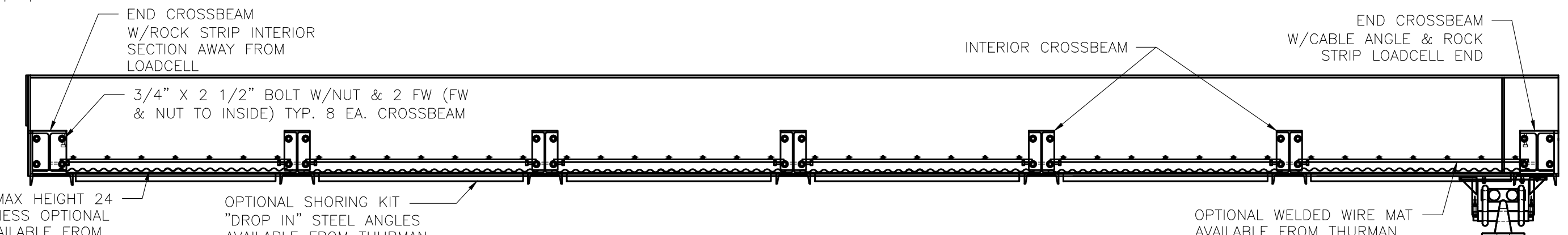
TYPICAL SIDE ELEVATION OF SCALE INSTALLATION



LOAD CELL ASSEMBLY INTERIOR SECTION (4 FASTENERS PER CONNECTION)



LOAD CELL ASSEMBLY END SECTION W/ CHECKING DETAIL



DETAIL D-D END MODULE SHOWN

CONCRETE POURING & FINISHING INSTRUCTIONS FOR SCALE DECK:

1. FINISH THE CONCRETE DECK WITH A BULL FLOAT AND HAND TROWEL OR BROOM TO THE DESIRED FINISH.
2. THE CONCRETE IS TO BE MOIST CURED FOR SEVEN DAYS OR MAY ALTERNATIVELY RECEIVE A COAT OF LIQUID CURING COMPOUND.
3. DO NOT USE OR CALIBRATE THE SCALE UNTIL THE DECK IS CURED AND HAS REACHED 4000 PSI MINIMUM COMPRESSIVE STRENGTH.

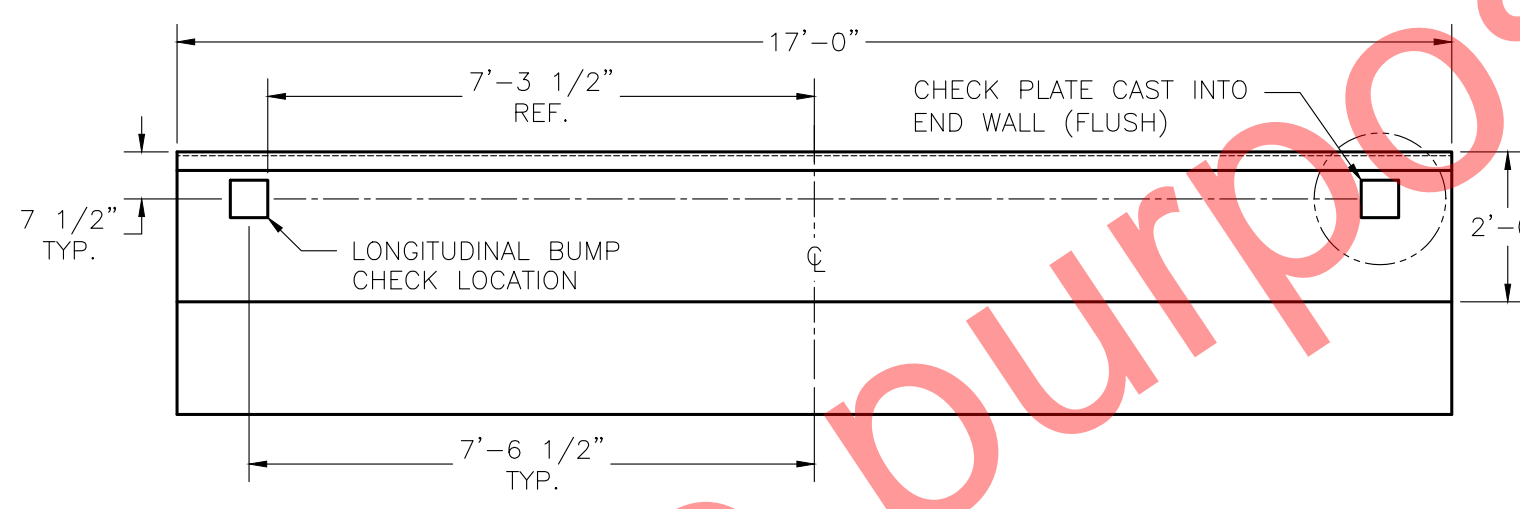
FOUNDATION CONCRETE	
4000 PSI MINIMUM	
LOCATION	QTY (CU. YDS)
PIERS AS SHOWN	10
FLOOR AT 2" THICK	5.5
APPROACHES	11
MODULES	27.5
TOTAL CONCRETE	54 CU. YDS.

MODULE REINFORCING SCHEDULE					
ASTM 615 - GRADE 60					
MARK	QTY	SIZE	LENGTH	WEIGHT (LBS)	REMARKS
D1	84	#6	14'-6"	1830	(7) EA. BAY, PERPENDICULAR TO TRAFFIC
D2	192	#6	4'-6"	1298	(16) EA. APPROACH; (7) EA. PIER BTM.
TOTAL WEIGHT					3,128

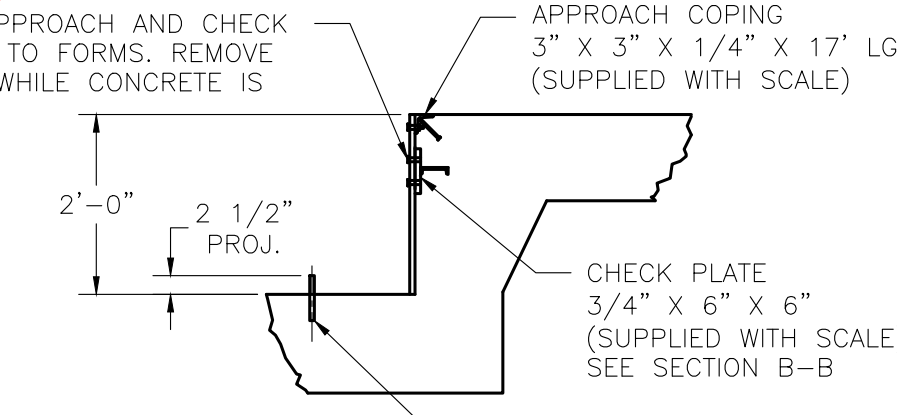
FOUNDATION REINFORCING SCHEDULE					
ASTM 615 - GRADE 60					
MARK	QTY	SIZE	LENGTH	WEIGHT (LBS)	REMARKS
HR1	34	#4	9'-6"	216	(17) EA. APPROACH
HR2	53	#4	16'-6"	585	(16) EA. APPROACH; (7) EA. PIER BTM.
HR3	102	#4	3'-0"	205	(34) EA. PIER TOP & BTM.
HR4	30	#5	16'-6"	517	(10) EA. PIER TOP
VR1	68	#4	3'-0"	137	(34) EA. END WALL VERT.
TOTAL WEIGHT					1,660

REINFORCING STEEL NOTES:

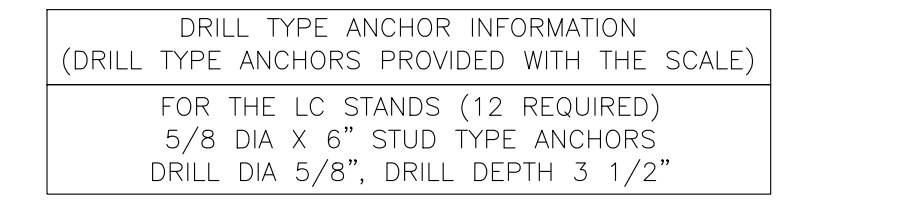
1. REINFORCING STEEL SHALL BE FREE OF ALL MUD, DEBRIS, CEMENT GROUT, LOOSE RUST, GREASE, AND OIL.
2. TACK WELDING OF BARS IS PROHIBITED.



SECTION B-B



SECTION C-C



ANCHOR DETAIL

NOTES:

1. FOUNDATION DESIGN IS BASED ON A MINIMUM SOIL BEARING CAPACITY OF 3000 LB/SQ. FT. FOR SOIL CONDITIONS WHICH DO NOT MEET THIS SPECIFICATION. CONSULT WITH THE THURMAN SCALE COMPANY.
2. THE FOUNDATION SHALL BE INSTALLED AT AN ELEVATION AND LOCATION TO INSURE ADEQUATE DRAINAGE AWAY FROM SCALE. A PERIMETER TRENCH AND AGGREGATE BASE MAY BE ADDED IF DRAINAGE IS NOT SUFFICIENT TO MAINTAIN 3000 LB/SQ. FT. BEARING CAPACITY.
3. BOTTOM OF FOOTERS SHOULD EXTEND BELOW THE FROST LINE. AN 18 INCH FOOTER DEPTH IS MINIMUM.
4. N.I.S.T. H-44 REQUIREMENTS AND LOCAL WEIGHTS AND MEASURES REGULATIONS MAY REQUIRE INSTALLATION PARAMETERS SOMEWHAT DIFFERENT THAN ILLUSTRATED ON THIS PLAN. IN ORDER TO INSURE COMPLIANCE, CONSULT THE LOCAL WEIGHTS & MEASURES OFFICE PRIOR TO CONSTRUCTION.
5. CONCRETE OF 4000 PSI MINIMUM COMPRESSIVE STRENGTH IS REQUIRED, WITH 5-7% AIR ENTRAINMENT. VIBRATE CONCRETE WHEN POURING. FOLLOW LATEST ACI REQUIREMENTS FOR MATERIALS AND CONSTRUCTION. DO NOT CAST UNLESS TEMPERATURE IS ABOVE 40 DEGREES FAHRENHEIT.
6. PIERS MUST BE LEVEL AND IN THE SAME PLANE WITHIN ±1/8" INCH.
7. EXCAVATION, FORMS, REINFORCING STEEL, GUARD POSTS, AND CONCRETE FURNISHED BY OTHERS. OPTIONAL REBAR KITS (FOR THE SCALE DECK) ARE AVAILABLE FROM THURMAN.
8. DO NOT PLACE REBAR IN CLOSE PROXIMITY OF ANCHOR BOLTS.
9. A MINIMUM OF 24" OF CLEARANCE IS REQUIRED ON JUNCTION BOX SIDE OF THE SCALE NEAR THE BOX MOUNTS.
10. CAUTION! THE MAIN GIRDERS SHOULD NEVER BE USED AS A STEP. SLIPPERY WHEN WET.

ASSEMBLY

11. POSITION LOAD CELL ASSEMBLIES IN APPROXIMATE LOCATIONS.
12. ASSEMBLE THE GIRDERS W/ THE CHECK BLOCK AND PROVISION FOR 2 LC FIRST. LAYOUT GIRDERS & LOOSELY ATTACH CROSSBEAMS, CROSS-SQUARE AND TIGHTEN BOLTS. JACK UP & ATTACH TOP BRACKETS & PIN SEATS TO THE BOTTOM FLANGE OF THE GIRDERS.
13. SET THE LOADCELL ASSY UNDER THE PIN SEATS OF THE BASE MODULE.
14. ASSEMBLE REMAINING MODULES BUILDING FROM THE BASE MODULE. PLACE NEXT PAIR OF GIRDERS ON STEP PLATE OF BASE MODULE & ON LOADCELL ASSY. INSTALL THE MODULE CONNECTION BOLTS THROUGH THE CONNECTION JOINT. LOOSELY ATTACH CROSSBEAMS. REPEAT UNTIL ALL MODULES ARE BUILT.
15. CHECK SQUARENESS OF THE SCALE & ADJUST IF NECESSARY TO BRING INTO SQUARE. MAINTAIN EQUAL DISTANCE TO PIT WALL AT EACH END.
16. TIGHTEN ALL CROSSBEAM BOLTS ONE-HALF TURN PAST SNUG. TIGHTEN ALL MODULE CONNECTION BOLTS. SET LONGITUDINAL CHECK BOLTS. ANCHOR STANDS AFTER LOADCELL ASSY PLUMB.

DECK REINFORCEMENT

17. TO PREVENT PAN FROM SAGGING WHILE POURING, ADDITIONAL SHORING SUPPORT BENEATH THE CORRUGATED PAN IS REQUIRED. THURMAN OFFERS OPTION SHORING KIT FOR THIS PURPOSE.
18. CORRUGATED PAN SHOULD HAVE THE FOLLOWING MINIMUM SPECIFICATIONS: THICKNESS: 24 GAUGE MIN. PITCH: 2 1/2", HEIGHT: 5/8" MAX CUT TO LENGTH: 7'-0" X 2'-6" IF SUPPLIED WITH OPTIONAL REBAR MAT, TIE ABOVE STUDS. IF REINFORCEMENT SUPPLIED BY OTHERS, FOLLOW REBAR SCHEDULE.
19. POUR CONCRETE. SEE NOTE 5 ABOVE.

THIS DRAWING IS SUPPLIED AS CHECKED BELOW:

REV	BY	DATE	DESCRIPTION
1	JCR	3/31/2015	UPDATED TITLE BLOCK, DRAFTING STANDARDS, BEAM SIZES, & ADDED OVERALL WIDTH DIMENSION TO SECTION A-A

8530KD 90K CLC 60' X 14' FOUNDATION DRAWING (FOOTINGS) 3 SECTION, DESB LOAD CELLS

THURMAN SCALE

SCALE: NTS DRAWN: NDC CHECKED: []

SHEET: 1 OF 1 DATE: 10/08/09 APPROVED: []

DRAWING NUMBER: 92473-FT