

N.I.S.T. H-44 REQUIRES THAT ON THE APPROACH ENDS OF THIS VEHICLE SCALE, THERE SHALL BE A STRAIGHT APPROACH AT LEAST HALF THE LENGTH OF THE PLATFORM BUT NOT REQUIRED TO BE MORE THAN 40 FEET. NOT LESS THAN 10 FEET OF ANY APPROACH ADJACENT TO THE PLATFORM SHALL BE LEVEL AND CONSTRUCTED OF CONCRETE OR SIMILAR DURABLE MATERIAL. ANY SLOPE IN THE REMAINING PORTION OF THE APPROACH SHALL INSURE EASE OF VEHICLE ACCESS, EASE FOR TESTING PURPOSES, AND DRAINAGE AWAY FROM THE SCALE.

NOTE: PROVIDE MEANS FOR ADEQUATE DRAINAGE OF THE PIT. CONNECT DRAIN TO GRAVITY DRAIN, STORM SEWER OR SUMP PUMP TO INSURE THAT STANDING WATER CANNOT ACCUMULATE IN PIT.

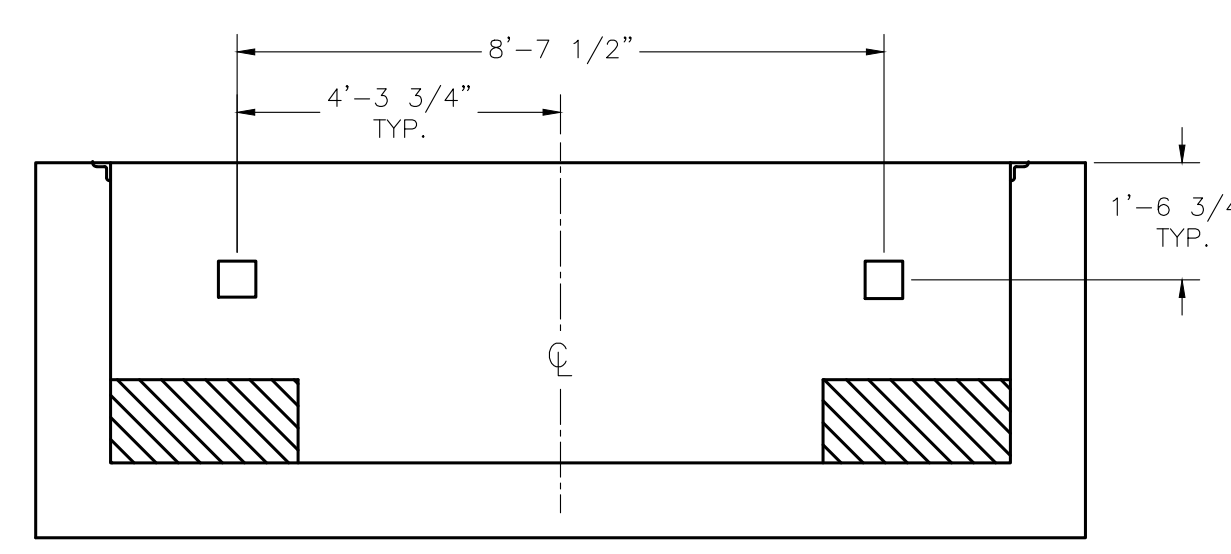
REMOVE TOP SOIL. THE SUBGRADE MUST BE FIRM AND UNYIELDING. COMPACT IF NECESSARY. BACKFILL WITH THE BEST AVAILABLE MATERIAL. (AGGREGATE PREFERRED)

**NOTES:**

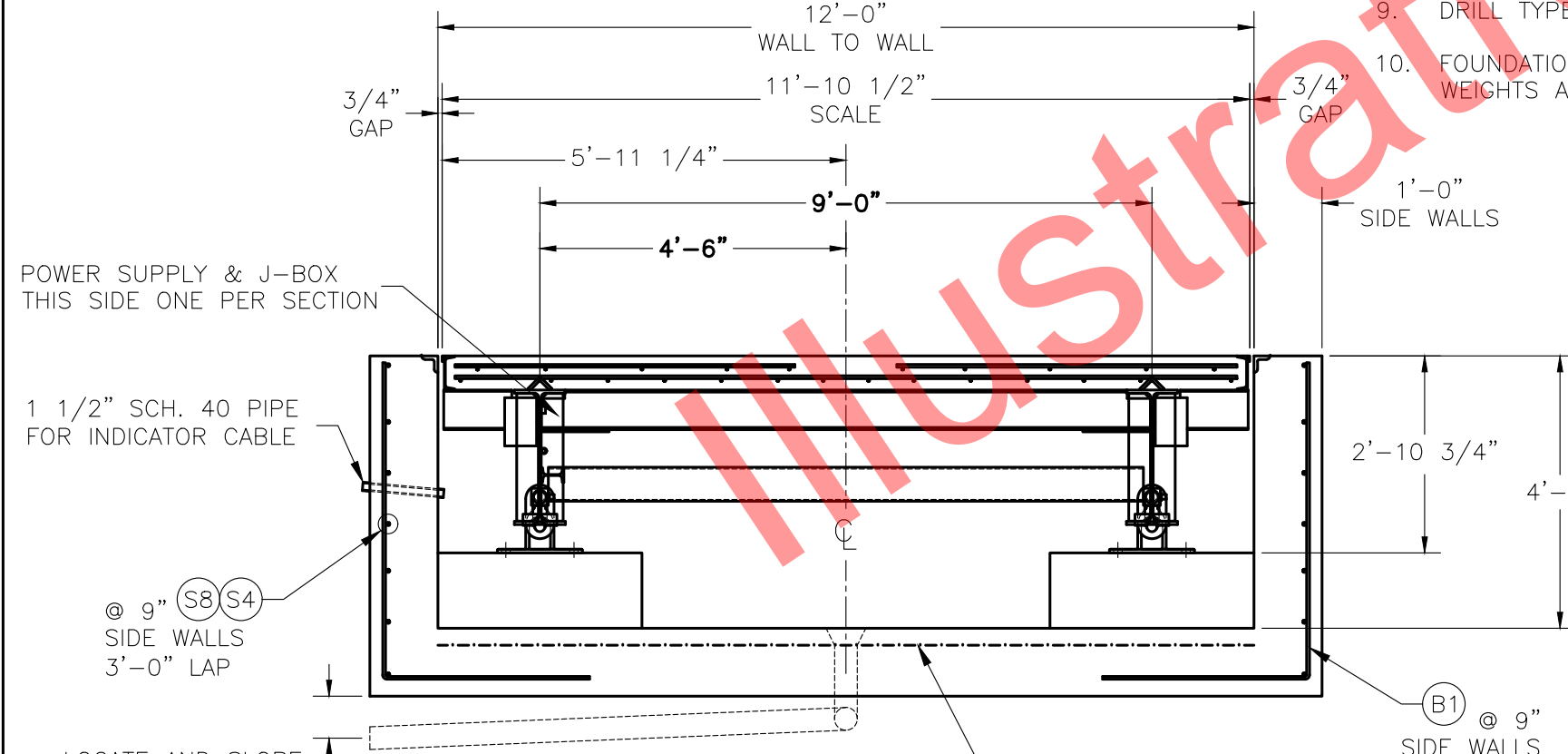
- FOUNDATION DESIGN IS BASED ON A MINIMUM SOIL BEARING CAPACITY OF 1500 LB/SQ. FT. FOR SOIL CONDITIONS WHICH DO NOT MEET THIS SPECIFICATION CONSULT WITH THE THURMAN SCALE COMPANY.
- PIT FLOOR MUST HAVE AN EFFECTIVE DRAIN SYSTEM SO THAT THE PIT FLOOR REMAINS REASONABLY DRY AND CLEAN.
- THE TOPS OF THE PIT WALLS MUST BE ABOVE THE EXISTING GRADE LEVEL SO THAT WATER WILL DRAIN AWAY FROM THE SCALE.
- IN AREAS OF THE COUNTRY WHERE THERE IS SEVERE FREEZING, INCREASE THE DEPTH OF THE FOUNDATION SO THAT THE BOTTOM EXTENDS BELOW THE FROST LINE, OR PROVIDE A MINIMUM OF 12" FREE DRAINING GRANULAR MATERIAL TO PREVENT FROST HEAVE.
- REINFORCING STEEL IS TO CONFORM TO ASTM A615 GRADE 60 SPECIFICATIONS.
- CONCRETE OF 4000 PSI MIN. COMPRESSIVE STRENGTH WITH AIR ENTRAINMENT 5-7% IS REQUIRED FOR PIT. CONSOLIDATE CONCRETE INTO POSITION BY VIBRATING.
- PIERS MUST BE LEVEL AND IN THE SAME PLANE WITHIN ±1/8 INCH.
- EXCAVATION, FORMS, REINFORCING STEEL, AND CONCRETE FURNISHED BY OTHERS.
- FOUNDATION REQUIREMENTS VARY FROM STATE TO STATE. CHECK WITH LOCAL WEIGHTS AND MEASURES DIVISION BEFORE CONSTRUCTION.

**DECK NOTES:**

- REINFORCING STEEL IS TO CONFORM TO ASTM A-615 GRADE 60.
- CONCRETE OF 4000 PSI MINIMUM COMPRESSIVE STRENGTH IS REQUIRED, WITH AIR ENTRAINMENT OF 5-7 PERCENT IF SUBJECT TO FREEZE/THAW CYCLES. CONSOLIDATE THE CONCRETE INTO PLACE BY USING A VIBRATOR.
- CORRUGATED SHEET REQUIREMENTS: A 10' WIDE SCALE REQUIRES (5) SHEETS MIN. TO COVER THE DECK WIDTH. SHEET LENGTHS MAY VARY, BUT ENDS MUST REST OVER (OR LAP OVER) A CROSS BEAM. TACK WELD IN PLACE AS NEEDED. RECOMMENDED SHEET SIZE: 28 GA. X 30 INCH WIDE (MIN.), 3/4 INCH MAX. CORRUGATE HEIGHT (MAXIMUM PROFILE) SUPPORT SHEETING DURING POURING AND CURING AS REQUIRED.
- MANHOLE REQUIREMENTS: MANHOLE RING & COVER (NEENAH #R06044A OR EQUIVALENT) IS REQUIRED TO GAIN ACCESS TO THE PIT, UNLESS OTHER MEANS OF ENTRY ARE PROVIDED. BEND BARS AROUND MANHOLE, DO NOT CUT.
- REBAR, CONCRETE, CORRUGATED SHEETS AND MANHOLES ARE SUPPLIED BY OTHERS UNLESS SPECIFIED ON THE SALES ORDER.



SECTION C-C

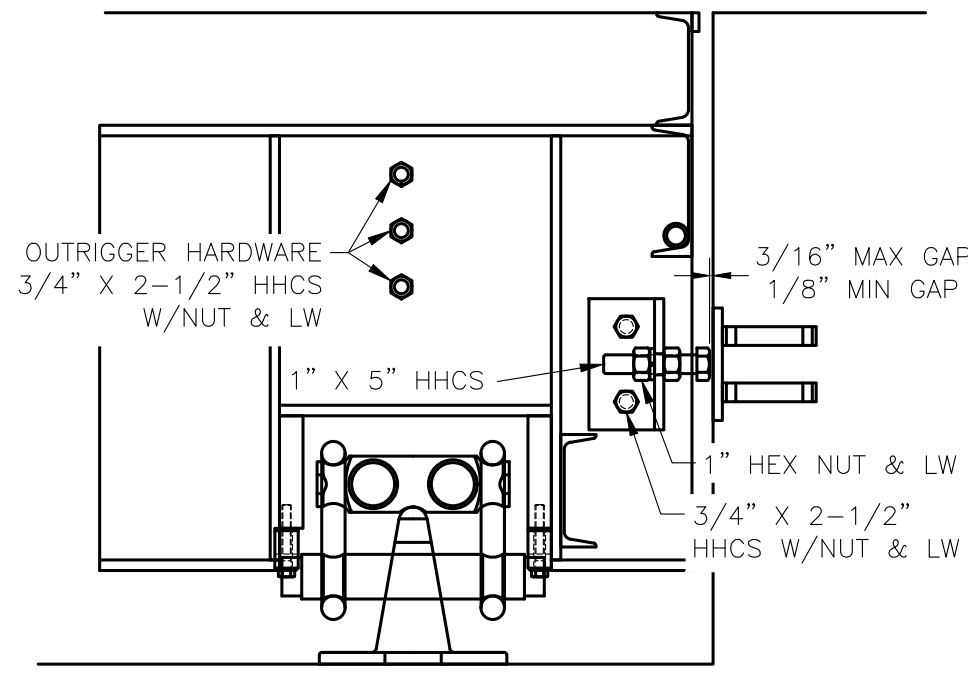
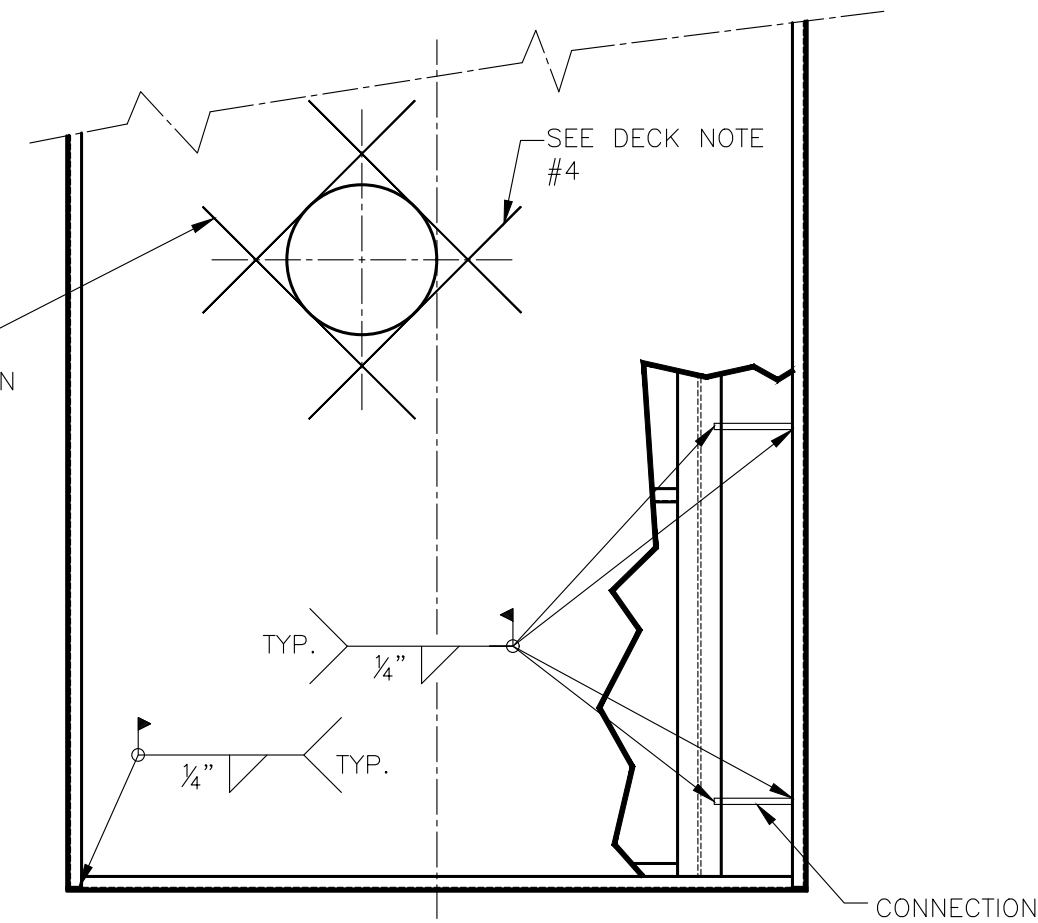


SECTION A-A

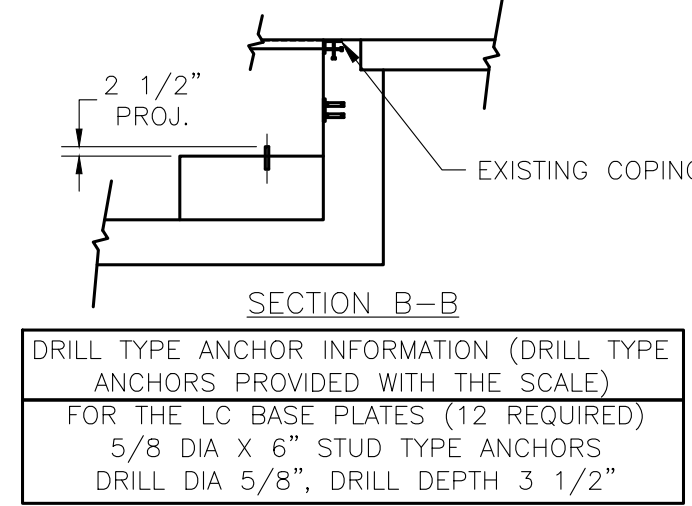
REBAR PLACEMENT SCHEDULE									
BAR SYM	BAR SIZE	QTY.	BAR LENGTH	A	B	C	WEIGHT (LBS)	REMARKS	
S1	#4	20	11'-6"				154	LATERAL APPROACH	
S2	#4	24	9'-0"				153	LONG. APPROACH	
S3	#4	23	13'-6"				208	D.F. END WALL; LAT. BTM. FLR.	
S4	#4	42	20'-0"				562	LONG. SIDE WALL (SPLICE 1-SB & 3-S4 BARS)	
S5	#6	27	13'-6"				244	LAT. TOP FLR. EA. SECTION	
S6	#4	78	7'-0"				365	LONG. FLOOR EA. SECTION	
S7	#4	28	4'-0"				75	VERT. END WALL	
S8	#4	14	11'-0"				103	LONG. SIDE WALL (SPLICE WITH S4 BARS)	
B1	#4	186	7'-6"	4'-6"	3'-0"		932	VERT. WALLS	
B2	#4	8	20'-0"	12'-8"	3'-8"		107	IN END WALL	
B3	#4	20	2'-0"	1'-6"	0'-6"		27	(3) EA. END; (4) EA. INT. PIER	
B4	#4	2	14'-6"	2'-6"	4'-0"	2'-0"	20	CENTER PIER/WALL	
B5	#4	4	11'-0"	3'-0"	4'-0"	2'-0"	30	END PIER/WALL	
							2,980	TOTAL DECK REBAR	
								PLUS APPROX. 540 SQFT. OF WWF 6x6 - W8xW8	

PROVIDE SUPPORT FOR THE TOP EDGE OF THE DECK CHANNEL WHILE POURING THE CONCRETE. PLACE A 1/2" NUT IN THE GAP AS SHOWN. WELD IT TO THE CHANNEL AND COPING ANGLE. NUT MUST BE REMOVED BEFORE WEIGHING. THE NUT PROVIDES THE RIGHT GAP AND DOES NOT INTERFERE WHEN STRIKING OFF THE DECK. PLACE THE NUTS AT 3'-0" CENTERS.

WELD THE CONNECTION STRAP TO THE BEAM AND THE FLANGE OF THE DECK CHANNEL AS SHOWN TO KEEP THE CHANNEL FROM "TILTING". PLACE BARS AT EQUAL SPACING BETWEEN OUTRIGGERS (NOT SHOWN THIS SIDE).



CHECKING ASSEMBLY DETAIL



SECTION B-B

CONCRETE REQUIREMENTS		
LOCATION	QTY. (CU. YDS.)	
FLOOR (*)	32.5	
APPROACHES/WALLS	23.5	
PIERS	3.0	
DECK	13.5	
<b>TOTAL</b>	<b>72.5</b>	

(\* CONCRETE QUANTITY FOR FLOOR IS CALCULATED FOR A 12" FLOOR DEPTH)

DECK REBAR PLACEMENT SCHEDULE				
BAR SYM	BAR SIZE	QTY.	BAR LENGTH (LBS)	REMARKS
D1	#4	362	5'-0"	1,210 LATERAL TOP
D2	#4	241	11'-6"	1,852 LATERAL BTM
D3	#4	30	20'-0"	401 LONG. TOP; (SPLICE 3 BARS)
D4	#4	42	20'-0"	562 LONG. BTM; (SPLICE 3 BARS)
D5	#4	8	4'-0"	22 4 PER MH
D6	#4	24	9'-0"	145 LONG. SPLICE
<b>TOTAL REBAR = 4,192 LBS</b>				

THIS DRAWING IS SUPPLIED AS CHECKED BELOW:

REFERENCE (ESTIMATES ONLY, NOT FOR CONSTRUCTION)

CERTIFIED FOR CONSTRUCTION, THURMAN SERIAL#

CUSTOMER: \_\_\_\_\_ DATE: \_\_\_\_\_

CUSTOMER P.O.# \_\_\_\_\_ DATE: \_\_\_\_\_

CUSTOMER APPROVAL, RETURN ONE COPY. (ORDER ON HOLD UNTIL SIGNED COPY IS RETURNED)

APPROVED AS DRAWN, APPROVED BY: \_\_\_\_\_ DATE: \_\_\_\_\_

APPROVED AS NOTED, APPROVED BY: \_\_\_\_\_ DATE: \_\_\_\_\_

REVISIONS			
REV	BY	DATE	DESCRIPTION
1	RD	8/10/2016	REVISED LENGTH DIMENSIONS

8510DB 90K CLC 60' x 12'  
3 SECTION DESB  
FOUNDATION DRAWING - 4' DEEP PIT

THURMAN SCALE  
SCALE: VARS DRAWN: LDC CHECKED: \_\_\_\_\_  
SHEET: 1 OF 1 DATE: 5/7/13 APPROVED: \_\_\_\_\_  
DRAWING NUMBER: 92567-DP4 REV: 1