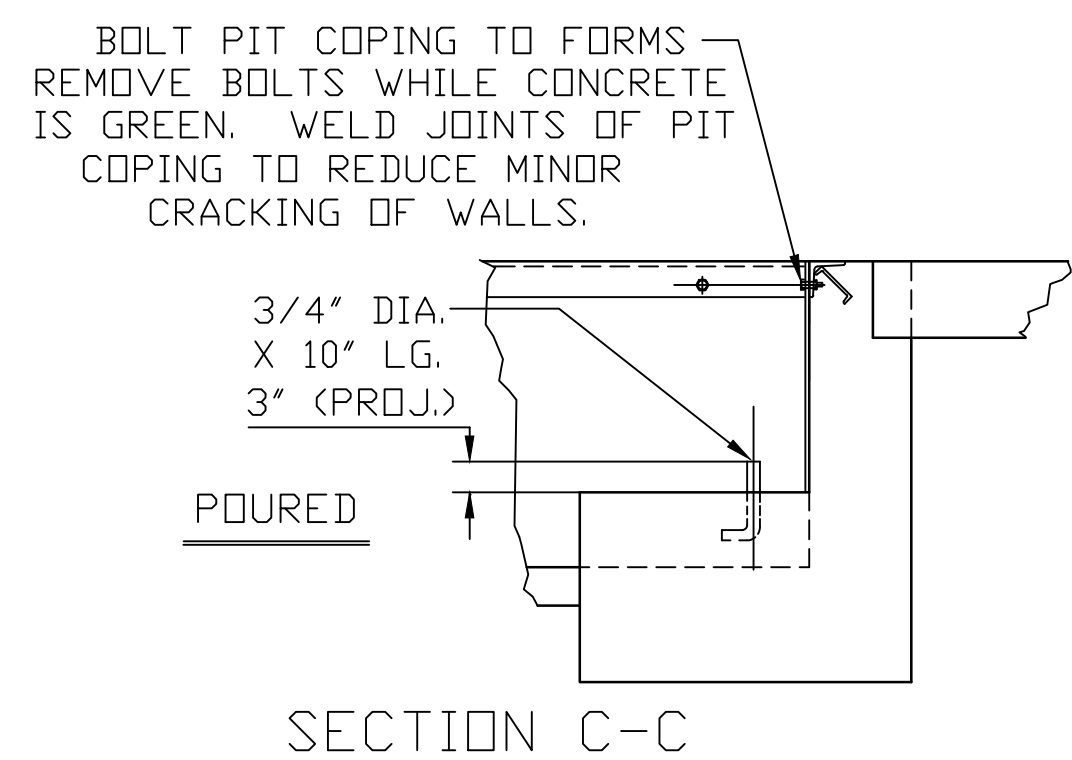


**NOTES:**

- PIT DESIGN IS BASED ON A MINIMUM SOIL BEARING CAPACITY OF 3000 LB/SQ.FT. FOR SOIL CONDITIONS WHICH DO NOT MEET THIS SPECIFICATION, CONSULT WITH THURMAN SCALE CO.
- BOTTOM OF FOOTERS SHOULD EXTEND BELOW THE FROST LINE AND BE POURED MONOLITHICALLY WITH THE FLOOR SLAB. AN 18" FOOTER DEPTH IS MINIMUM.
- REINFORCING STEEL IS TO CONFORM TO ASTM A615 GRADE 60 SPECIFICATIONS.
- CONCRETE OF 4000 PSI MINIMUM COMPRESSIVE STRENGTH IS REQUIRED WITH AIR ENTRAINMENT OF 5-7% IF SUBJECTED TO FREEZE/THAW CYCLES.
- PIERS MUST BE LEVEL AND IN THE SAME PLANE WITHIN ±1/8".
- EXCAVATION, FORMS, REINFORCING STEEL, CONCRETE, AND OTHER CONSTRUCTION MATERIALS BY OTHERS.
- ANCHOR BOLTS MAY EITHER BE POURED IN PLACE OR DRILLED. SEE DETAIL "D".
- PIT FLOOR MUST HAVE AN EFFECTIVE DRAIN SYSTEM SO THAT THE PIT FLOOR REMAINS REASONABLY DRY AND CLEAN.
- PIT REQUIREMENTS VARY FROM STATE TO STATE. CHECK WITH LOCAL WEIGHTS AND MEASURES DIVISION BEFORE CONSTRUCTION.
- FOR WEIGHBRIDGE DECK REBAR PLACEMENT SCHEDULE, CONCRETE TOTALS, AND MANHOLE DETAILS SEE DRAWING NUMBER 74839-DK.

REBAR PLACEMENT SCHEDULE										
SYM.	QTY.	SIZE	LENGTH	A	B	C	D	WEIGHT	REMARKS	
S1	40	#4	9'-6"					254 LB	(20)EA. APPROACH, (10) TOP & BTM	
S2	40	#4	9'-6"					254	(20)EA. APPROACH, (10) TOP & BTM	
S4	44	#4	37'-0"					1087	(10)EACH SIDE WALL, (24)FLOOR	
S6	70	#4	11'-6"					538	(60) IN FLOOR, (5) EA. END WALL	
S7	32	#7	11'-6"					752	(8) EA. SET OF MAIN PIERS	
S8	16	#4	2'-6"					27	(2) EA. MAIN PIER	
S9	16	#4	2'-3"					24	(2) EA. MAIN PIER	
b1	52	#4	1'-6"	1'-0"	6"			52	(4) EA. PIER	
b2	48	#4	5'-0"	4'-6"	6"			160	(24) EA. END WALL	
b3	190	#4	5'-0"	4'-6"	6"			635	(95) EACH SIDE WALL	
b4	10	#4	20'-0"	11'-6"	4'-3"	4'-3"		134	(5) EA. END WALL	
								TOTAL REBAR WEIGHT = 3917 LBS.		



DRILLED	
TYPE	RECOMMENDED MANUFACTURER
ANCHORS	HILTI #HDI 3/4 IN. USE WITH 3/4 X 6 HEX BOLTS. DRILL DIA. 1, DEPTH 6
STUDS	PHILLIPS DRILL (RED HEAD) #WS 3484 DRILL DIA. 3/4, DRILL DEPTH 6

APPROX. EXCAVATION W/O OPTIONS	180 CU.YDS.
CONCRETE (*)	PIERS/FLOORS 25 CU.YDS.
	APPROACHES/WALLS 37 CU.YDS.

(\*) CONCRETE QUANTITY IS CALCULATED FOR 6 IN. FLOOR AND 18 IN. FOOTER DEPTH.

**THIS DRAWING IS SUPPLIED AS CHECKED BELOW:**

REFERENCE (ESTIMATES ONLY, NOT FOR CONSTRUCTION)

CERTIFIED FOR CONSTRUCTION, THURMAN# \_\_\_\_\_ DATE: \_\_\_\_\_

CUSTOMER: \_\_\_\_\_

CUSTOMER P.O.# \_\_\_\_\_

CUSTOMER APPROVAL, RETURN ONE COPY. (ORDER ON HOLD UNTIL SIGNED COPY IS RETURNED)

APPROVED AS DRAWN, APPROVED BY: \_\_\_\_\_ DATE: \_\_\_\_\_

APPROVED AS NOTED, APPROVED BY: \_\_\_\_\_ DATE: \_\_\_\_\_

TOLERANCES (UNLESS OTHERWISE SPECIFIED) ± 1/8"

THURMAN scale  
255 E. LIVINGSTON AVE.  
COLUMBUS, OHIO 43215  
PH: (614) 221-9077  
FAX: (614) 221-8879

DATE: 07-17-00  
DRAWN BY: HAWKINS

This drawing is the property of Thurman Scale Company and is loaned to the recipient for his/her confidential use only. In consideration of the loan of this drawing, the recipient promises and agrees that it shall not be used in any way detrimental to the interest of Thurman Scale Company, that it shall be returned upon request, and that it shall not be reproduced, copied, loaned or otherwise disposed of, directly or indirectly without the express written consent of Thurman Scale Company.

TITLE: 8110E 55K CLC 70' x 10'  
PIT (4 SECTION)

DRAWING NUMBER: 74839-DP  
REV: 1