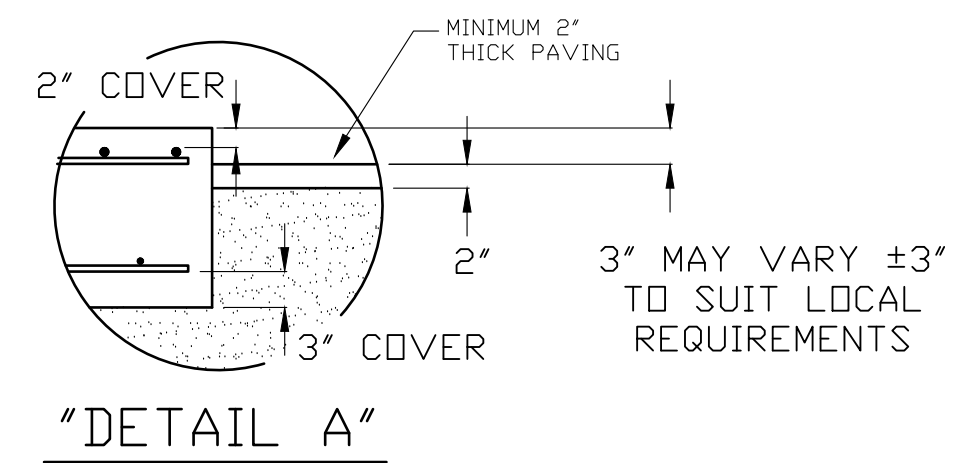


TYPICAL SIDE ELEVATION OF SCALE INSTALLATION



MODULE REBAR SCHEDULE
ASTM A615 GRADE 60

MODULE	MARK	QTY.	SIZE	LENGTH	WT.	REMARKS
20'x12'	D1	21	#4	11'-6"	162	(21) EA. MODULE LAT.
	D2	24	#4	19'-6"	313	(24) EA. MODULE LONG.
25'x12'	D1	52	#4	11'-6"	400	(52) EA. MODULE LAT.
	D2	48	#4	24'-6"	786	(48) EA. MODULE LONG.
TOTAL WT.						1661

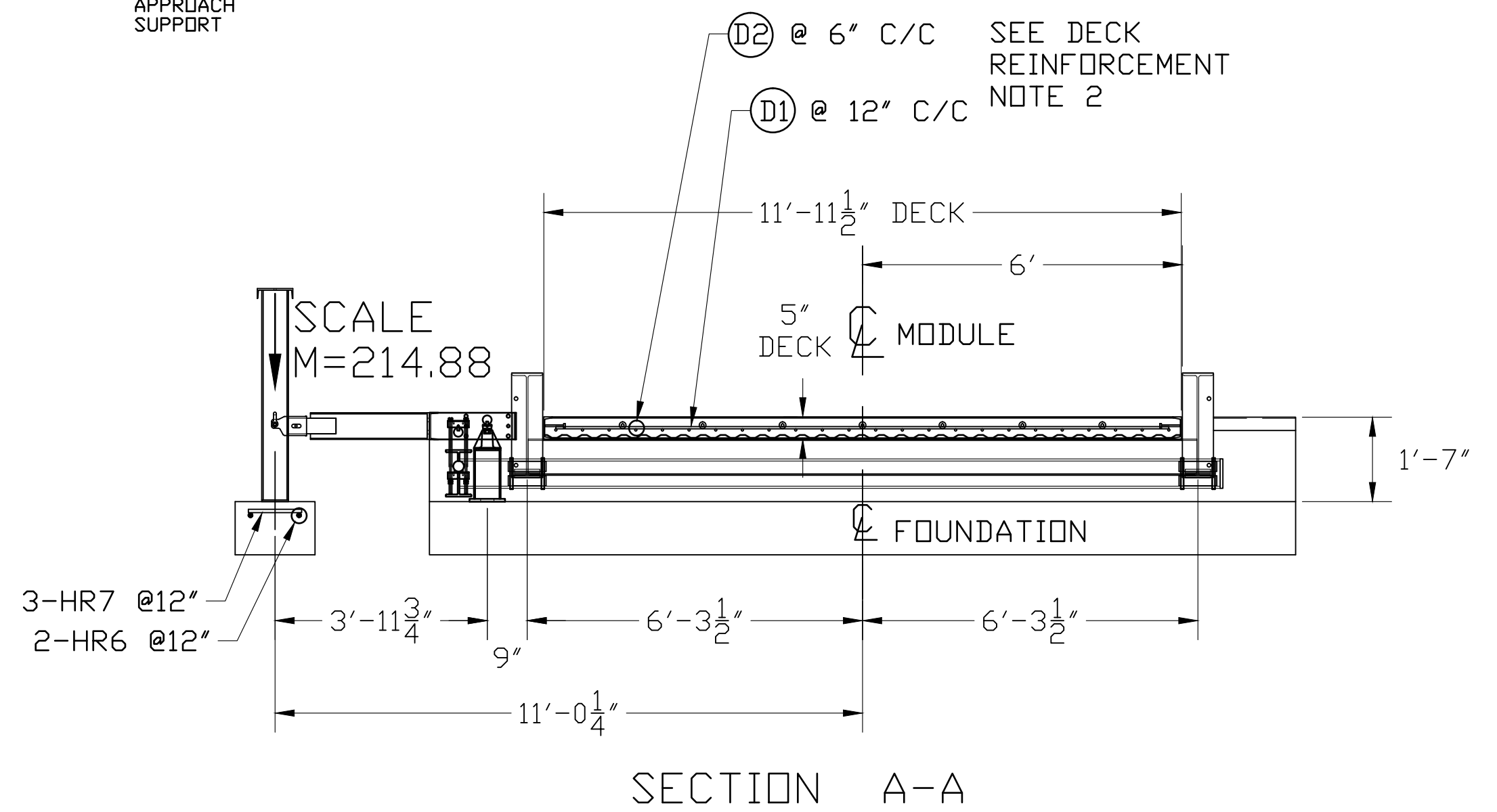
FOUNDATION REBAR SCHEDULE
ASTM A615 GRADE 60

MARK	QTY.	SIZE	LENGTH	WT.	REMARKS
HR1	34	#4	9'-6"	216	(17) EA. APPROACH LONG.
HR2	96	#4	16'-0"	1027	(14) EA. APPROACH LAT; (17) EA. PIER LAT.
HR3	136	#4	3'-0"	273	(34) EA. PIER LONG.
HR4	2	#4	5'-0"	7	(2) DUAL FULCRUM PIER LONG.
HR5	12	#4	1'-4"	11	(3) EA. FULCRUM PIER LAT.
HR6	6	#4	2'-0"	9	(2) EA. FULCRUM PIER & LC PIER LONG.
HR7	3	#4	1'-0"	3	(3) LC PIER LAT.
VR1	68	#4	2'-9"	125	(34) EA. END WALL VERTICAL
TOTAL WT.					1671

CONCRETE REQUIREMENTS
4000 PSI

AREA	QTY. (CU. YDS.)
PIERS AS SHOWN	13
APPROACHES	10
FLOOR AT 2" THICK	6
MODULES	16
OPTIONAL APPROACH SUPPORTS	3
TOTAL	48.0

REINFORCING STEEL NOTES:
1. REINFORCING STEEL SHALL BE FREE OF ALL MUD, DEBRIS, CEMENT GROUT, LOOSE RUST, GREASE, AND OIL.
2. TACK WELDING OF BARS IS PROHIBITED.



- NOTES:
- FOUNDATION DESIGN IS BASED ON A MINIMUM SOIL BEARING CAPACITY OF 3000 LB/SQ. FT. FOR SOIL CONDITIONS WHICH DO NOT MEET THIS SPECIFICATION, CONSULT WITH THE THURMAN SCALE COMPANY.
 - THE FOUNDATION SHALL BE INSTALLED AT AN ELEVATION AND LOCATION TO INSURE ADEQUATE DRAINAGE AWAY FROM SCALE. A PERIMETER TRENCH AND AGGREGATE BASE MAY BE ADDED IF DRAINAGE IS NOT SUFFICIENT TO MAINTAIN 3000 LB/SQ. FT. BEARING CAPACITY.
 - BOTTOM OF FOOTERS SHOULD EXTEND BELOW THE FROST LINE. AN 18 INCH FOOTER DEPTH IS MINIMUM.
 - N.I.S.T. H-44 REQUIREMENTS AND LOCAL WEIGHTS AND MEASURES REGULATIONS MAY REQUIRE INSTALLATION PARAMETERS SOMEWHAT DIFFERENT THAN ILLUSTRATED ON THIS PLAN. IN ORDER TO INSURE COMPLIANCE, CONSULT THE LOCAL WEIGHTS & MEASURES OFFICE PRIOR TO CONSTRUCTION.
 - CONCRETE OF 4000 PSI MINIMUM COMPRESSIVE STRENGTH IS REQUIRED, WITH 5-7% AIR ENTRAINMENT. VIBRATE CONCRETE WHEN POURING. FOLLOW LATEST ACI REQUIREMENTS FOR MATERIALS AND CONSTRUCTION. DO NOT CAST UNLESS TEMPERATURE IS ABOVE 40 DEGREES FAHRENHEIT.
 - PIERS MUST BE LEVEL AND IN THE SAME PLANE WITHIN ±1/8 INCH.
 - EXCAVATION, FORMS, REINFORCING STEEL, GUARD POSTS, AND CONCRETE FURNISHED BY OTHERS.
 - DO NOT PLACE REBAR IN CLOSE PROXIMITY OF ANCHOR BOLTS.

THIS DRAWING IS SUPPLIED AS CHECKED BELOW:
 REFERENCE (ESTIMATES ONLY, NOT FOR CONSTRUCTION)
 CERTIFIED FOR CONSTRUCTION, THURMAN #
 CUSTOMER:
 CUSTOMER P.O.# DATE:
 CUSTOMER APPROVAL, RETURN ONE COPY.
 (ORDER ON HOLD UNTIL SIGNED COPY IS RETURNED)
 APPROVED AS DRAWN, APPROVED BY: DATE:
 APPROVED AS NOTED, APPROVED BY: DATE:

LET	BY	DATE	REVISION

DATE: 10/23/12

SCALE: N/A SHEET 1 OF 1

DRAWN BY: JCR MODEL:

CHECKED BY: DATE: DRAWING NUMBER: 92496-FT REVISION: 0

APPROVED BY: DATE:

UNLESS OTHERWISE SPECIFIED DIMENSIONS ARE IN INCHES TOLERANCES: FRACTIONS ±1/8" ANGLES ±1/2" DECIMALS ±.005 3-PLACE DECIMAL ±.005 2-PLACE DECIMAL ±.010 1-PLACE DECIMAL ±.020

MATERIAL: A36 FINISH: N/A

THURMAN SCALE
COLUMBUS, OH

8130 60K CLC
70' X 12' FOOTINGS
FOUNDATION (4 SECTION)