

DRILL TYPE ANCHOR INFORMATION
(DRILL TYPE ANCHORS PROVIDED WITH THE SCALE)

FOR THE CORNER STANDS (16 REQUIRED)
FOR THE FULCRUM & LC STANDS (10 REQUIRED)
5/8 DIA X 6\"/>

ANCHOR DETAIL

N.I.S.T. H-44 REQUIRES THAT ON THE APPROACH ENDS OF THIS VEHICLE SCALE, THERE SHALL BE A STRAIGHT APPROACH AT LEAST HALF THE LENGTH OF THE PLATFORM, BUT NOT REQUIRED TO BE MORE THAN 40 FEET. NOT LESS THAN 10 FEET OF ANY APPROACH ADJACENT TO THE PLATFORM SHALL BE LEVEL AND CONSTRUCTED OF CONCRETE OR SIMILAR DURABLE MATERIAL. ANY SLOPE IN THE REMAINING PORTION OF THE APPROACH SHALL INSURE EASE OF VEHICLE ACCESS, EASE FOR TESTING PURPOSES, AND DRAINAGE AWAY FROM THE SCALE.

REMOVE TOP SOIL. NOTE: THE SUBGRADE MUST BE FIRM AND UNYIELDING. COMPACT IN NECESSARY. BACKFILL WITH THE BEST AVAILABLE MATERIAL. AGGREGATE PREFERRED. COMPACT AS REQUIRED.

- NOTES:
- FOUNDATION DESIGN IS BASED ON A MINIMUM SOIL BEARING CAPACITY OF 2000 LB/SQ. FT. FOR SOIL CONDITIONS WHICH DO NOT MEET THIS SPECIFICATION, CONSULT WITH THE THURMAN SCALE COMPANY.
 - THE FOUNDATION SHALL BE INSTALLED AT AN ELEVATION AND LOCATION TO INSURE ADEQUATE DRAINAGE AWAY FROM SCALE.
 - IN AREAS OF THE COUNTRY WHERE THERE IS SEVERE FREEZING, INCREASE THE DEPTH OF THE FOUNDATION OR PROVIDE A MINIMUM OF 12\"/>

MODULE REINFORCING SCHEDULE						
ASTM 615 - GRADE 60						
MODULE	MARK	QTY	SIZE	LENGTH	WEIGHT (LBS)	COMMENT
(2) 25'x10'	D1	52	#4	9'-6"	330	(26) LAT. EA. MODULE
	D2	40	#4	24'-6"	655	(20) LONG. EA. MODULE
20'x10'	D1	21	#4	9'-6"	134	(21) LAT. EA. MODULE
	D2	20	#4	19'-6"	261	(20) LONG. EA. MODULE
TOTAL WEIGHT					1,380	

FOUNDATION REINFORCING SCHEDULE						
ASTM 615 - GRADE 60						
MARK	QTY	SIZE	LENGTH	WEIGHT (LBS)	COMMENT	
HR1	161	#4	13'-11"	1497	LAT. EA. APPROACH; SUPPORT; WASHOUT	
HR2	28	#4	9'-6"	178	LONG. EA. APPROACH	
HR3	112	#4	5'-0"	375	LONG. EA. SUPPORT	
HR4	28	#4	23'-0"	431	LONG. EA. 25' WASHOUT	
HR5	14	#4	18'-0"	169	LONG. EA. 20' WASHOUT	
HR6	2	#4	2'-0"	3	LONG. LOAD CELL PIER	
HR7	3	#4	1'-0"	2	LAT. LOAD CELL PIER	
VR1	56	#4	2'-7"	97	VERT. EA. END WALL	
TOTAL WEIGHT					2,752	

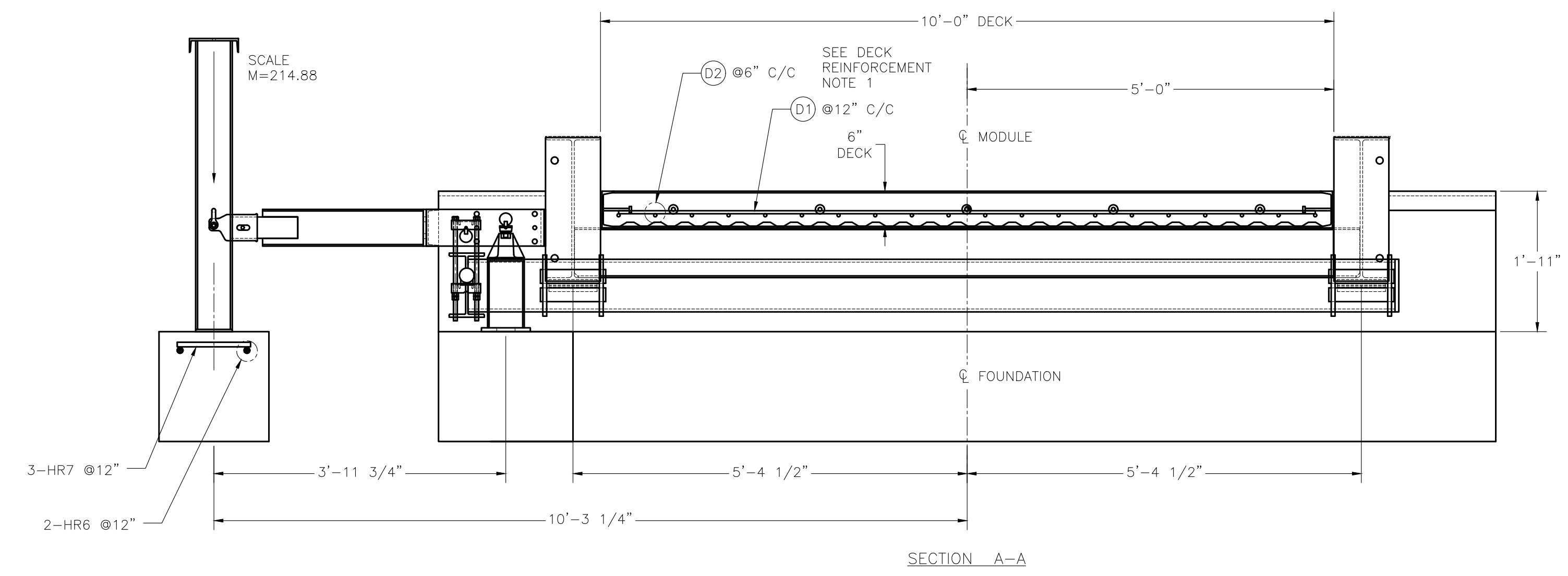
FOUNDATION CONCRETE		
4000 PSI MINIMUM		
LOCATION	QTY (CU. YDS)	
SLAB & LOAD CELL PIER	38.7	
APPROACHES	9.3	
MODULES	13.1	
OPTIONAL APPROACH SUPPORTS	2.5	
TOTAL CONCRETE	63.6	

CONCRETE POURING & FINISHING INSTRUCTIONS FOR SCALE DECK:

- FINISH THE CONCRETE DECK WITH A BULL FLOAT AND HAND TROWEL OR BROOM TO THE DESIRED FINISH.
- THE CONCRETE IS TO BE MOIST CURED FOR SEVEN DAYS OR MAY ALTERNATIVELY RECEIVE A COAT OF LIQUID CURING COMPOUND.
- DO NOT USE OR CALIBRATE THE SCALE UNTIL THE DECK IS CURED AND HAS REACHED 4000 PSI MINIMUM COMPRESSIVE STRENGTH.

REINFORCING STEEL NOTES:

- REINFORCING STEEL SHALL BE FREE OF ALL MUD, DEBRIS, CEMENT GROUT, LOOSE RUST, GREASE, AND OIL.
- TACK WELDING OF BARS IS PROHIBITED.



SECTION A-A

THIS DRAWING IS SUPPLIED AS CHECKED BELOW:

REFERENCE (ESTIMATES ONLY, NOT FOR CONSTRUCTION)

CERTIFIED FOR CONSTRUCTION, THURMAN SERIAL#

CUSTOMER: _____ DATE: _____

CUSTOMER P.O.# _____ DATE: _____

CUSTOMER APPROVAL, RETURN ONE COPY.

ORDER ON HOLD UNTIL SIGNED COPY IS RETURNED

APPROVED AS DRAWN, APPROVED BY: _____ DATE: _____

APPROVED AS NOTED, APPROVED BY: _____ DATE: _____

REVISIONS				
REV	BY	DATE	DESCRIPTION	
1	JCR	5/21/2015	UPDATED ANCHOR LOCATIONS FOR LARGER CORNER STANDS (8\"/>	

8130 90K CLC
70'x10' FULL SLAB FOUNDATION
(3 MODULES/4 SECTIONS)

THURMAN SCALE
SCALE: NTS DRAWN: JCR CHECKED: _____
SHEET: 1 OF 1 DATE: 01/23/12 APPROVED: _____
DRAWING NUMBER: 92660-SL REV: 1