

N.I.S.T. H-44 REQUIRES THAT ON THE APPROACH ENDS OF THIS VEHICLE SCALE, THERE SHALL BE A STRAIGHT APPROACH AT LEAST HALF THE LENGTH OF THE PLATFORM, BUT NOT REQUIRED TO BE MORE THAN 40 FEET. NOT LESS THAN 10 FEET OF ANY APPROACH ADJACENT TO THE PLATFORM SHALL BE LEVEL AND CONSTRUCTED OF CONCRETE OR SIMILAR DURABLE MATERIAL. ANY SLOPE IN THE REMAINING PORTION OF THE APPROACH SHALL INSURE EASE OF VEHICLE ACCESS, EASE FOR TESTING PURPOSES, AND DRAINAGE AWAY FROM THE SCALE.

REMOVE TOP SOIL. NOTE: THE SUBGRADE MUST BE FIRM AND UNYIELDING. COMPACT IN NECESSARY. BACKFILL WITH THE BEST AVAILABLE MATERIAL. AGGREGATE PREFERRED. COMPACT AS REQUIRED.

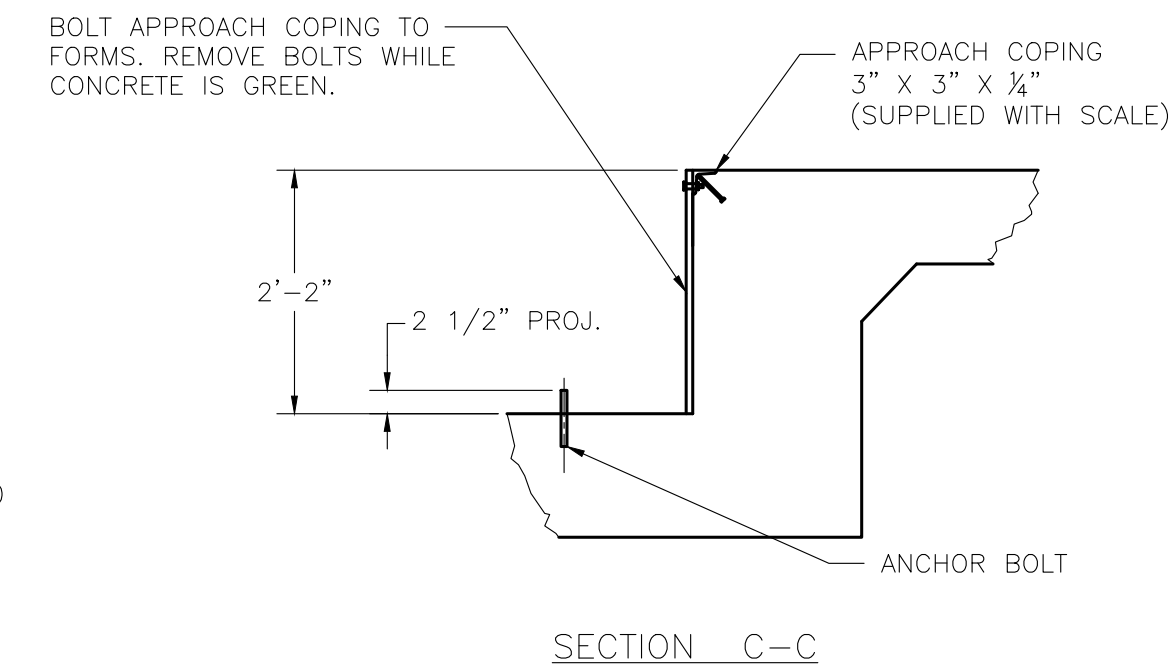
OPTIONAL PAVED SURFACE (NON-LOAD BEARING) CONCRETE OR ASPHALT BETWEEN PIERS TO FACILITATE CLEANING. A 12\"/>

FOUNDATION REINFORCING SCHEDULE					
ASTM 615 - GRADE 60					
MARK	QTY	SIZE	LENGTH	WEIGHT (LBS)	COMMENT
HR1	30	#4	9'-6"	191	LONG. EA. APPROACH
HR2	128	#4	14'-0"	1198	LAT. EA. APPROACH; PIER
HR3	120	#4	4'-6"	361	LONG. EA. PIER
HR4	15	#4	1'-0"	11	LAT. EA. FULCRUM PIER; LC PIER
HR5	2	#4	10'-0"	14	LONG. DUAL FULCRUM PIER
HR6	6	#4	2'-0"	9	LONG. EA. FULCRUM PIER; LC PIER
VR1	60	#4	3'-2"	127	VERT. EA. END WALL
TOTAL WEIGHT				1,910	

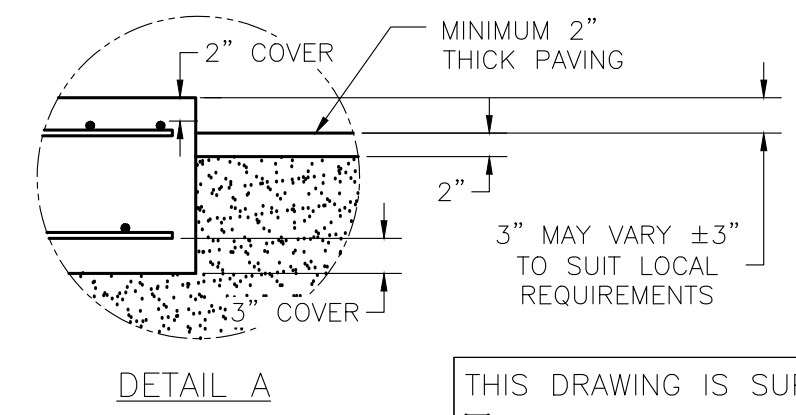
REINFORCING STEEL NOTES:
 1. REINFORCING STEEL SHALL BE FREE OF ALL MUD, DEBRIS, CEMENT GROUT, LOOSE RUST, GREASE, AND OIL.
 2. TACK WELDING OF BARS IS PROHIBITED.

FOUNDATION CONCRETE	
4000 PSI MINIMUM	
LOCATION	QTY (CU. YDS)
PIERS AS SHOWN	18
FLOOR AT 2" THICK	5.7
APPROACHES	11.1
OPTIONAL APPROACH SUPPORTS	3.1
TOTAL CONCRETE	37.9

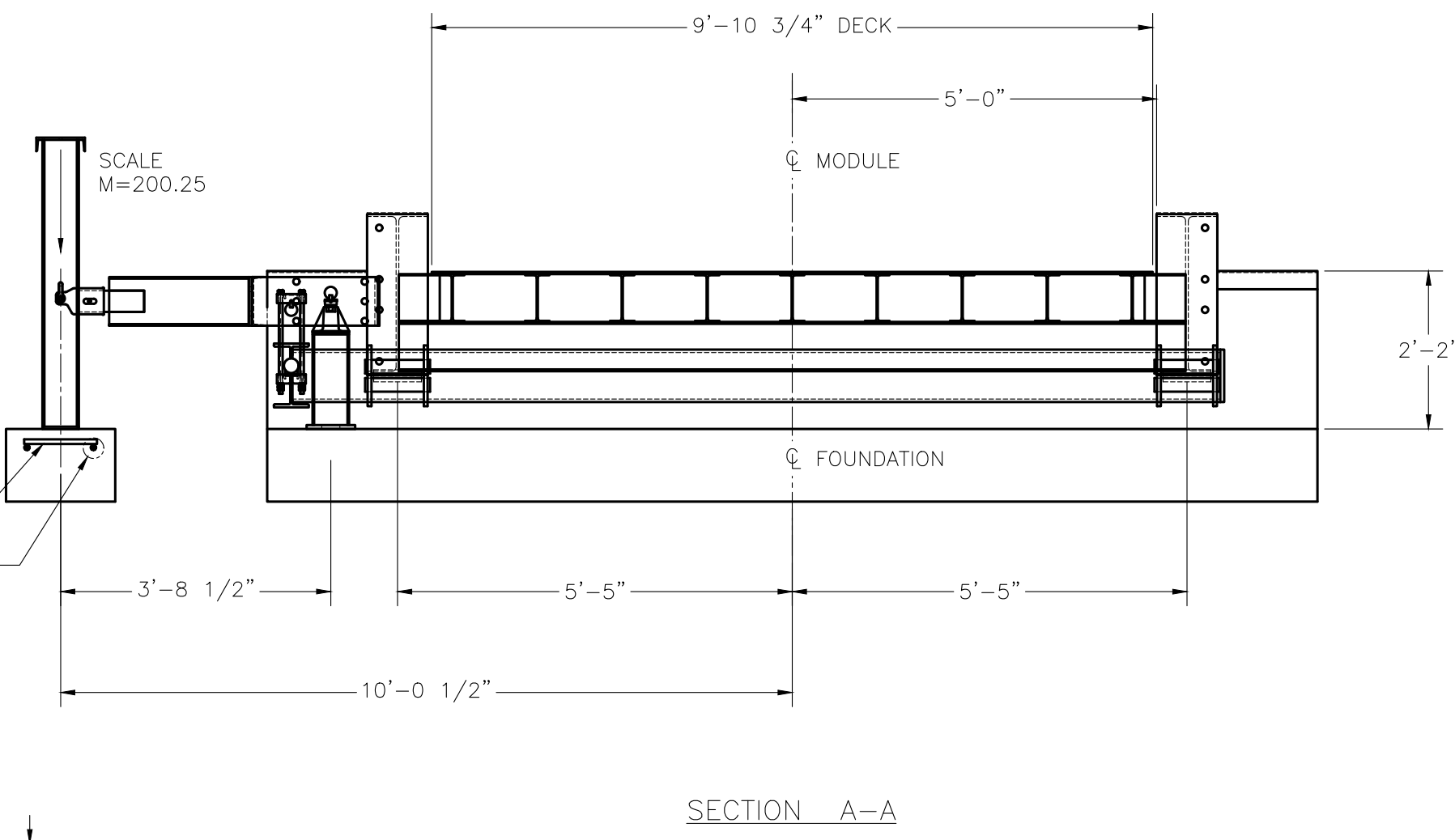
- NOTES:**
- FOUNDATION DESIGN IS BASED ON A MINIMUM SOIL BEARING CAPACITY OF 3000 LB/SQ. FT. FOR SOIL CONDITIONS WHICH DO NOT MEET THIS SPECIFICATION, CONSULT WITH THE THURMAN SCALE COMPANY.
 - THE FOUNDATION SHALL BE INSTALLED AT AN ELEVATION AND LOCATION TO INSURE ADEQUATE DRAINAGE AWAY FROM SCALE. A PERIMETER TRENCH AND AGGREGATE BASE MAY BE ADDED IF DRAINAGE IS NOT SUFFICIENT TO MAINTAIN 3000 LB/SQ. FT. BEARING CAPACITY.
 - BOTTOM OF FOOTERS SHOULD EXTEND BELOW THE FROST LINE. AN 18 INCH FOOTER DEPTH IS MINIMUM.
 - N.I.S.T. H-44 REQUIREMENTS AND LOCAL WEIGHTS AND MEASURES REGULATIONS MAY REQUIRE INSTALLATION PARAMETERS SOMEWHAT DIFFERENT THAN ILLUSTRATED ON THIS PLAN. IN ORDER TO INSURE COMPLIANCE, CONSULT THE LOCAL WEIGHTS & MEASURES OFFICE PRIOR TO CONSTRUCTION.
 - CONCRETE OF 4000 PSI MINIMUM COMPRESSIVE STRENGTH IS REQUIRED, WITH 5-7% AIR ENTRAINMENT. VIBRATE CONCRETE WHEN POURING. FOLLOW LATEST ACI REQUIREMENTS FOR MATERIALS AND CONSTRUCTION. DO NOT CAST UNLESS TEMPERATURE IS ABOVE 40 DEGREES FAHRENHEIT.
 - PIERS MUST BE LEVEL AND IN THE SAME PLANE WITHIN ±1/8 INCH.
 - EXCAVATION, FORMS, REINFORCING STEEL, GUARD POSTS, AND CONCRETE FURNISHED BY OTHERS.
 - DO NOT PLACE REBAR IN CLOSE PROXIMITY OF ANCHOR BOLTS.



DRILL TYPE ANCHOR INFORMATION (DRILL TYPE ANCHORS PROVIDED WITH THE SCALE)
 FOR THE CORNER STANDS (16 REQUIRED)
 FOR THE FULCRUM & LC STANDS (10 REQUIRED)
 5/8 DIA X 6\"/>



THIS DRAWING IS SUPPLIED AS CHECKED BELOW:
 REFERENCE (ESTIMATES ONLY, NOT FOR CONSTRUCTION)
 CERTIFIED FOR CONSTRUCTION, THURMAN SERIAL#
 CUSTOMER: _____ DATE: _____
 CUSTOMER APPROVAL, RETURN ONE COPY.
 (ORDER ON HOLD UNTIL SIGNED COPY IS RETURNED)
 APPROVED AS DRAWING, APPROVED BY: _____ DATE: _____
 APPROVED AS NOTED, APPROVED BY: _____ DATE: _____



8140XD 120K CLC
 80'x10' (3M/4S)
 8\"/>

THURMAN SCALE
 SCALE: VARIES DRAWN: JCR CHECKED: _____
 SHEET: 1 OF 1 DATE: 06/05/15 APPROVED: _____ REV: 0
 DRAWING NUMBER: 92702-FT MODEL: 8140