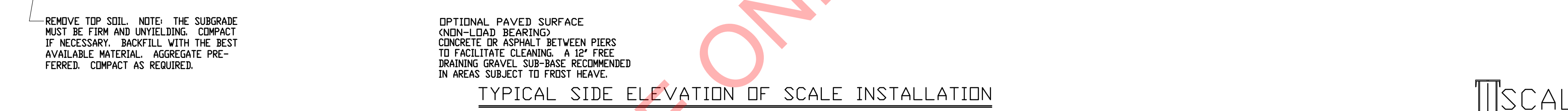


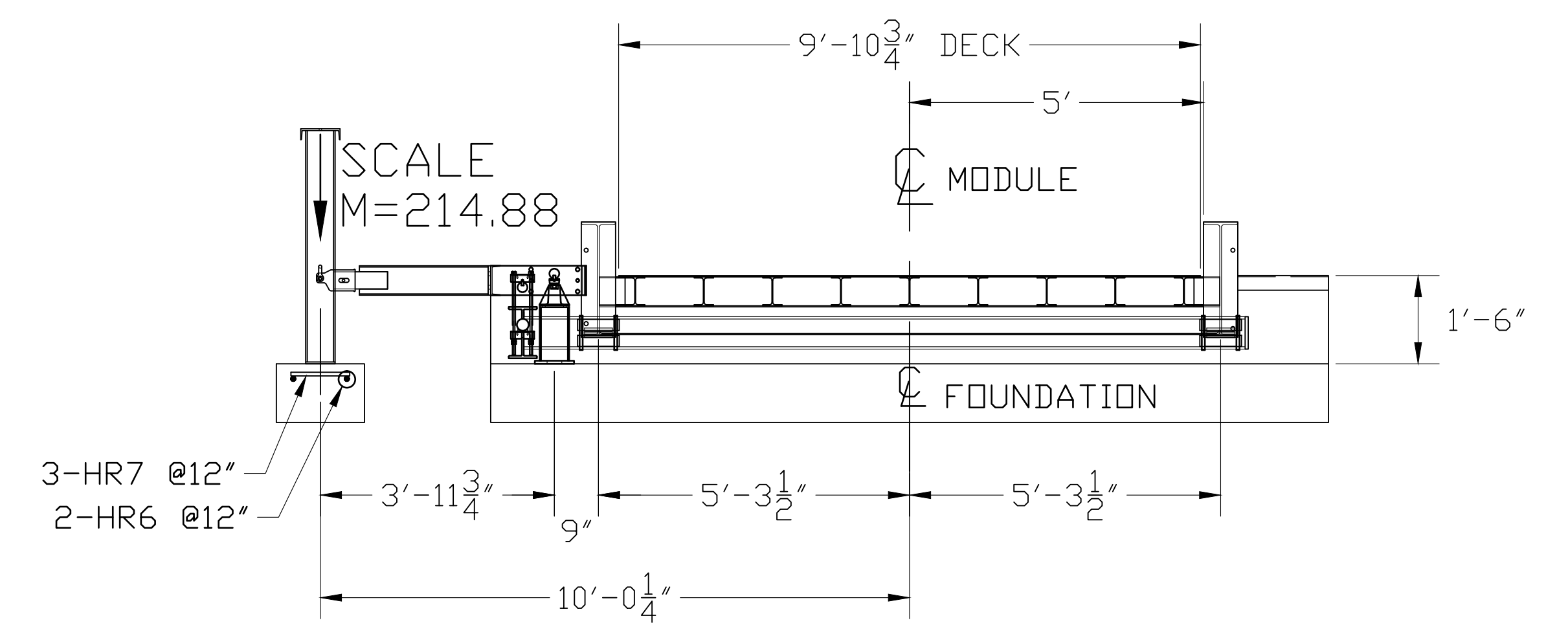
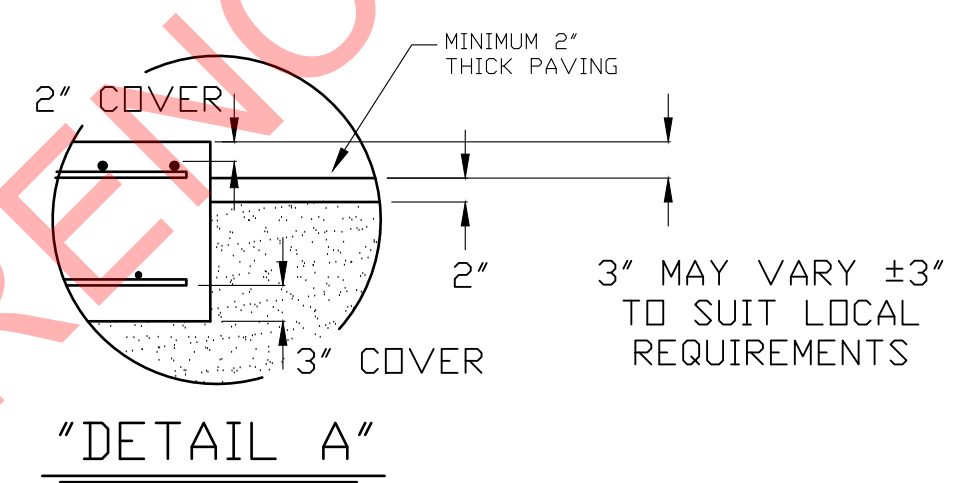
ANCHOR DETAIL

DRILL TYPE ANCHOR INFORMATION
(DRILL TYPE ANCHORS PROVIDED WITH THE SCALE)

FOR THE CORNER STANDS (12 REQUIRED)
FOR THE FULCRUM & LC STANDS (8 REQUIRED)
5/8 DIA X 6" STUD TYPE ANCHORS
DRILL DIA 5/8", DRILL DEPTH 3 1/2"



TYPICAL SIDE ELEVATION OF SCALE INSTALLATION



SECTION A-A

- NOTES:**
- FOUNDATION DESIGN IS BASED ON A MINIMUM SOIL BEARING CAPACITY OF 3000 LB/SQ. FT. FOR SOIL CONDITIONS WHICH DO NOT MEET THIS SPECIFICATION, CONSULT WITH THE THURMAN SCALE COMPANY.
 - THE FOUNDATION SHALL BE INSTALLED AT AN ELEVATION AND LOCATION TO INSURE ADEQUATE DRAINAGE AWAY FROM SCALE. A PERIMETER TRENCH AND AGGREGATE BASE MAY BE ADDED IF DRAINAGE IS NOT SUFFICIENT TO MAINTAIN 3000 LB/SQ. FT. BEARING CAPACITY.
 - BOTTOM OF FOOTERS SHOULD EXTEND BELOW THE FROST LINE. AN 18 INCH FOOTER DEPTH IS MINIMUM.
 - N.I.S.T. H-44 REQUIREMENTS AND LOCAL WEIGHTS AND MEASURES REGULATIONS MAY REQUIRE INSTALLATION PARAMETERS SOMEWHAT DIFFERENT THAN ILLUSTRATED ON THIS PLAN. IN ORDER TO INSURE COMPLIANCE, CONSULT THE LOCAL WEIGHTS & MEASURES OFFICE PRIOR TO CONSTRUCTION.
 - CONCRETE OF 4000 PSI MINIMUM COMPRESSIVE STRENGTH IS REQUIRED, WITH 5-7% AIR ENTRAINMENT. VIBRATE CONCRETE WHEN POURING. FOLLOW LATEST ACI REQUIREMENTS FOR MATERIALS AND CONSTRUCTION. DO NOT CAST UNLESS TEMPERATURE IS ABOVE 40 DEGREES FAHRENHEIT.
 - PIERS MUST BE LEVEL AND IN THE SAME PLANE WITHIN +/- 1/8 INCH.
 - EXCAVATION, FORMS, REINFORCING STEEL, GUARD POSTS, AND CONCRETE FURNISHED BY OTHERS.
 - DO NOT PLACE REBAR IN CLOSE PROXIMITY OF ANCHOR BOLTS.

FOUNDATION REBAR SCHEDULE					
ASTM A615 GRADE 60					
MARK	QTY	SIZE	LENGTH	WT.	REMARKS
HR1	30	#4	9'-6"	191	(15) EA. APPROACH LONG.
HR2	79	#4	14'-0"	739	(14) EA. APPROACH LAT; (17) EA. PIER LAT.
HR3	90	#4	3'-0"	181	(30) EA. PIER LONG.
HR4	2	#4	10'-0"	14	(2) DUAL FULCRUM PIER LONG.
HR5	9	#4	1'-4"	8	(3) EA. FULCRUM PIER LAT.
HR6	4	#4	2'-0"	6	(2) EA. FULCRUM PIER & LC PIER LONG.
HR7	3	#4	1'-0"	3	(3) LC PIER LAT.
VR1	60	#4	2'-6"	101	(30) EA. END WALL VERTICAL
TOTAL WT.				1243	

CONCRETE REQUIREMENTS		
4000 PSI		
AREA	QTY.	(CU. YDS.)
PIERS AS SHOWN	8.5	
APPROACHES	8.5	
FLOOR AT 2" THICK	5	
OPTIONAL APPROACH SUPPORTS	2.5	
TOTAL	24.5	

- REINFORCING STEEL NOTES:**
- REINFORCING STEEL SHALL BE FREE OF ALL MUD, DEBRIS, CEMENT GROUT, LOOSE RUST, GREASE, AND OIL.
 - TACK WELDING OF BARS IS PROHIBITED.

THIS DRAWING IS SUPPLIED AS CHECKED BELOW:

REFERENCE (ESTIMATES ONLY, NOT FOR CONSTRUCTION)

CERTIFIED FOR CONSTRUCTION, THURMAN #

CUSTOMER: _____ DATE: _____

CUSTOMER P.O.# _____ DATE: _____

CUSTOMER APPROVAL, RETURN ONE COPY.

(ORDER ON HOLD UNTIL SIGNED COPY IS RETURNED)

APPROVED AS DRAWN, APPROVED BY: _____ DATE: _____

APPROVED AS NOTED, APPROVED BY: _____ DATE: _____

LET	BY	DATE	REVISION

THURMAN SCALE
COLUMBUS, OH

8140 60K CLC
60' X 10' FOOTINGS
FOUNDATION (3 SECTION)

DATE: 10/26/12
SCALE: N/A
DRAWN BY: JCR
CHECKED BY: LC
APPROVED BY: LC

SHEET 1 OF 1
MODEL: _____
DRAWING NUMBER: 92527-FT
REVISION: 0

UNLESS OTHERWISE SPECIFIED DIMENSIONS ARE IN INCHES TOLERANCES: FRACTIONS: +/- 1/8" ANGLES: +/- 1° DECIMAL: +/- 0.05 2-PLACE DECIMAL: +/- 0.05 HOLE DIAMETERS: +/- 0.02

MATERIAL: A36 FINISH: N/A