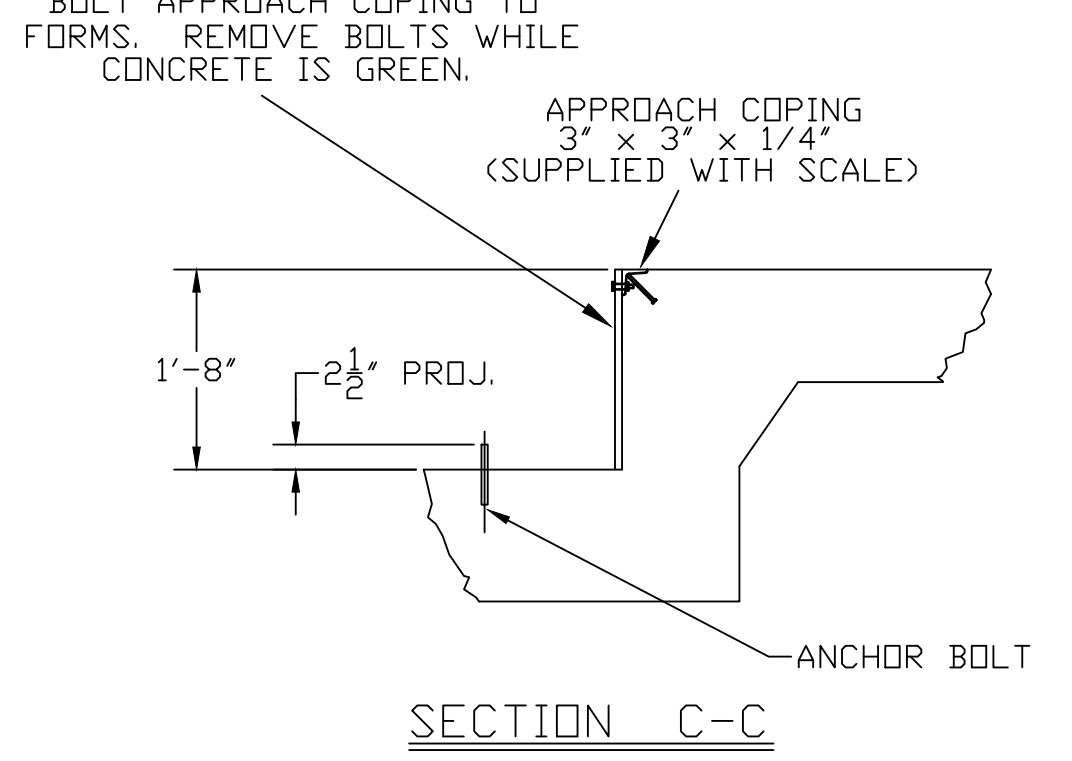


N.I.S.T. H-44 REQUIRES THAT ON THE APPROACH ENDS OF THIS VEHICLE SCALE, THERE SHALL BE A STRAIGHT APPROACH AT LEAST HALF THE LENGTH OF THE PLATFORM, BUT NOT REQUIRED TO BE MORE THAN 40 FEET. NOT LESS THAN 10 FEET OF ANY APPROACH ADJACENT TO THE PLATFORM SHALL BE LEVEL AND CONSTRUCTED OF CONCRETE OR SIMILAR DURABLE MATERIAL. ANY SLOPE IN THE REMAINING PORTION OF THE APPROACH SHALL INSURE EASE OF VEHICLE ACCESS, EASE FOR TESTING PURPOSES, AND DRAINAGE AWAY FROM THE SCALE.

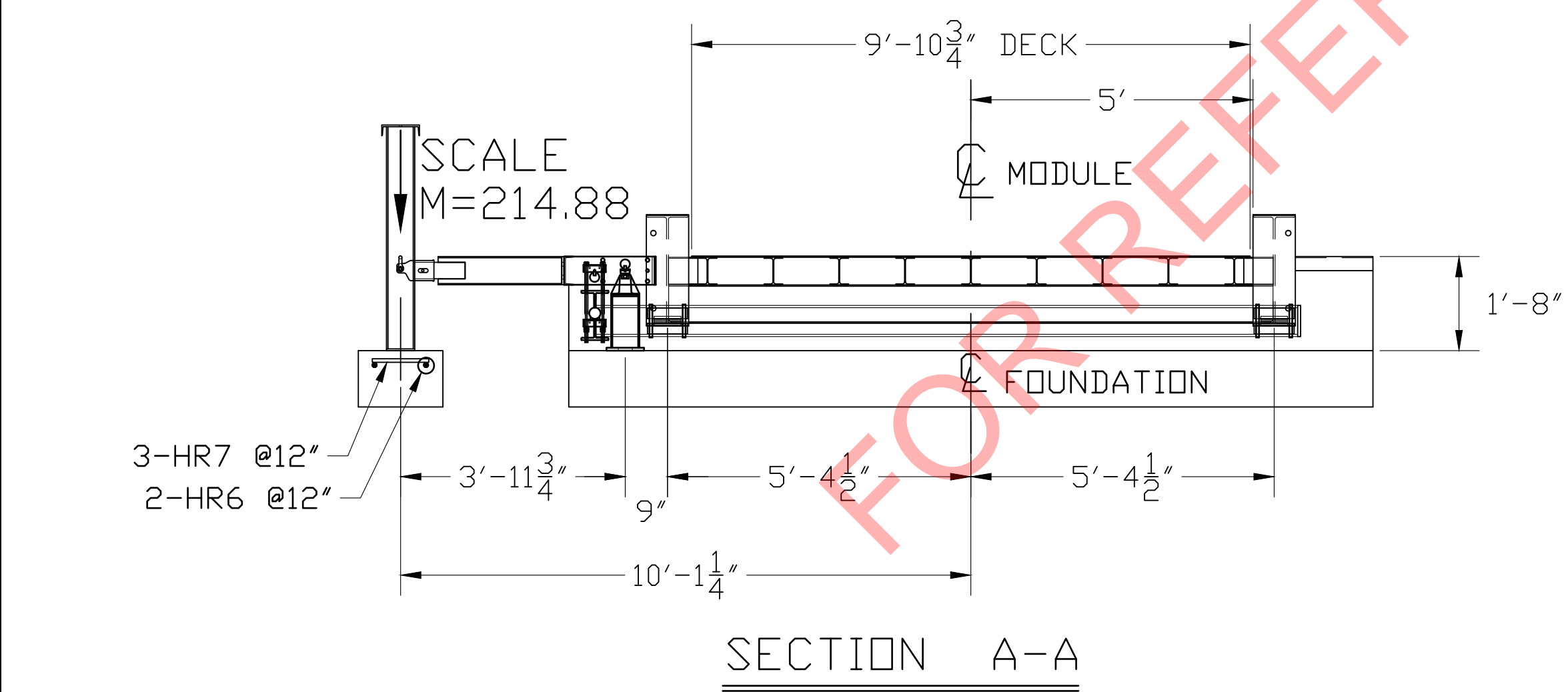


DRILL TYPE ANCHOR INFORMATION (DRILL TYPE ANCHORS PROVIDED WITH THE SCALE)  
 FOR THE CORNER STANDS (16 REQUIRED)  
 FOR THE FULCRUM & LC STANDS (10 REQUIRED)  
 5/8" DIA X 6" STUD TYPE ANCHORS  
 DRILL DIA 5/8", DRILL DEPTH 3 1/2"

ANCHOR DETAIL

- NOTES:
- FOUNDATION DESIGN IS BASED ON A MINIMUM SOIL BEARING CAPACITY OF 2000 LB/SQ. FT. FOR SOIL CONDITIONS WHICH DO NOT MEET THIS SPECIFICATION, CONSULT WITH THE THURMAN SCALE COMPANY.
  - THE FOUNDATION SHALL BE INSTALLED AT AN ELEVATION AND LOCATION TO INSURE ADEQUATE DRAINAGE AWAY FROM SCALE.
  - IN AREAS OF THE COUNTRY WHERE THERE IS SEVERE FREEZING, INCREASE THE DEPTH OF THE FOUNDATION SO THAT THE BOTTOM EXTENDS BELOW THE FROST LINE, OR PROVIDE A MINIMUM OF 12" FREE DRAINING GRANULAR MATERIAL TO PREVENT FROST HEAVE.
  - N.I.S.T. H-44 REQUIREMENTS AND LOCAL WEIGHTS AND MEASURES REGULATIONS MAY REQUIRE INSTALLATION PARAMETERS SOMEWHAT DIFFERENT THAN ILLUSTRATED ON THIS PLAN. IN ORDER TO INSURE COMPLIANCE, CONSULT THE LOCAL WEIGHTS & MEASURES OFFICE PRIOR TO CONSTRUCTION.
  - CONCRETE OF 4000 PSI MINIMUM COMPRESSIVE STRENGTH IS REQUIRED, WITH 5-7% AIR ENTRAINMENT. VIBRATE CONCRETE WHEN POURING. FOLLOW LATEST ACI REQUIREMENTS FOR MATERIALS AND CONSTRUCTION. DO NOT CAST UNLESS TEMPERATURE IS ABOVE 40 DEGREES FAHRENHEIT.
  - PIERS MUST BE LEVEL AND IN THE SAME PLANE WITHIN ±1/8" INCH.
  - EXCAVATION, FORMS, REINFORCING STEEL, GUARD POSTS, AND CONCRETE FURNISHED BY OTHERS.
  - DO NOT PLACE REBAR IN CLOSE PROXIMITY OF ANCHOR BOLTS.

TYPICAL SIDE ELEVATION OF SCALE INSTALLATION



FOUNDATION REBAR SCHEDULE					
ASTM A615 GRADE 60					
MARK	QTY.	SIZE	LENGTH	WT.	REMARKS
HR1	161	#4	14'-0"	1506	LATERAL (14)APPR, (18)SUPPORT, (61)WASHOUT
HR2	30	#4	9'-6"	191	(15) EACH APPROACH LONGITUDINAL
HR3	120	#4	5'-0"	401	(30) EACH SUPPORT LONGITUDINAL
HR4	30	#4	23'-0"	461	(15) EACH 25' WASHOUT LONGITUDINAL
HR5	15	#4	18'-0"	181	(15) EACH 20' WASHOUT LONGITUDINAL
HR6	2	#4	2'-0"	3	(2) EACH LC PIER LONGITUDINAL
HR7	3	#4	1'-0"	3	(3) EACH LC PIER LATERAL
VR1	60	#4	2'-3"	91	(30) EACH END WALL VERTICAL
				TOTAL WT.	2837

CONCRETE REQUIREMENTS	
4000 PSI	
AREA	QTY. (CU. YDS.)
APPROACHES	9
SLAB	38.5
OPTIONAL APPROACH SUPPORTS	2.5
<b>TOTAL</b>	<b>50.0</b>

- REINFORCING STEEL NOTES:
- REINFORCING STEEL SHALL BE FREE OF ALL MUD, DEBRIS, CEMENT GROUT, LOOSE RUST, GREASE, AND OIL.
  - TACK WELDING OF BARS IS PROHIBITED.

THIS DRAWING IS SUPPLIED AS CHECKED BELOW:  
 REFERENCE (ESTIMATES ONLY, NOT FOR CONSTRUCTION)  
 CERTIFIED FOR CONSTRUCTION, THURMAN #  
 CUSTOMER: \_\_\_\_\_ DATE: \_\_\_\_\_  
 CUSTOMER APPROVAL, RETURN ONE COPY.  
 (ORDER ON HOLD UNTIL SIGNED COPY IS RETURNED)  
 APPROVED AS DRAWN, APPROVED BY: \_\_\_\_\_ DATE: \_\_\_\_\_  
 APPROVED AS NOTED, APPROVED BY: \_\_\_\_\_ DATE: \_\_\_\_\_

LET	BY	DATE	REVISION

**THURMAN SCALE**  
COLUMBUS, OH

8140 90K CLC  
70' x 10' FULL SLAB  
FOUNDATION (4 SECTION)

DATE: 8/16/12  
SCALE: N/A SHEET 1 OF 1  
DRAWN BY: LDC MODEL: \_\_\_\_\_  
CHECKED BY: LC DRAWING NUMBER: 92682-SL REVISION: 0  
APPROVED BY: LC

UNLESS OTHERWISE SPECIFIED DIMENSIONS ARE IN INCHES TOLERANCES: FINISHES ±1/8" ANGLES ±1/4" 3-PLAC DECIMAL ±0.005 2-PLAC DECIMAL ±0.05 1/32" HOLE DIMETERS ±1/32"

MATERIAL: A36 FINISH: \_\_\_\_\_