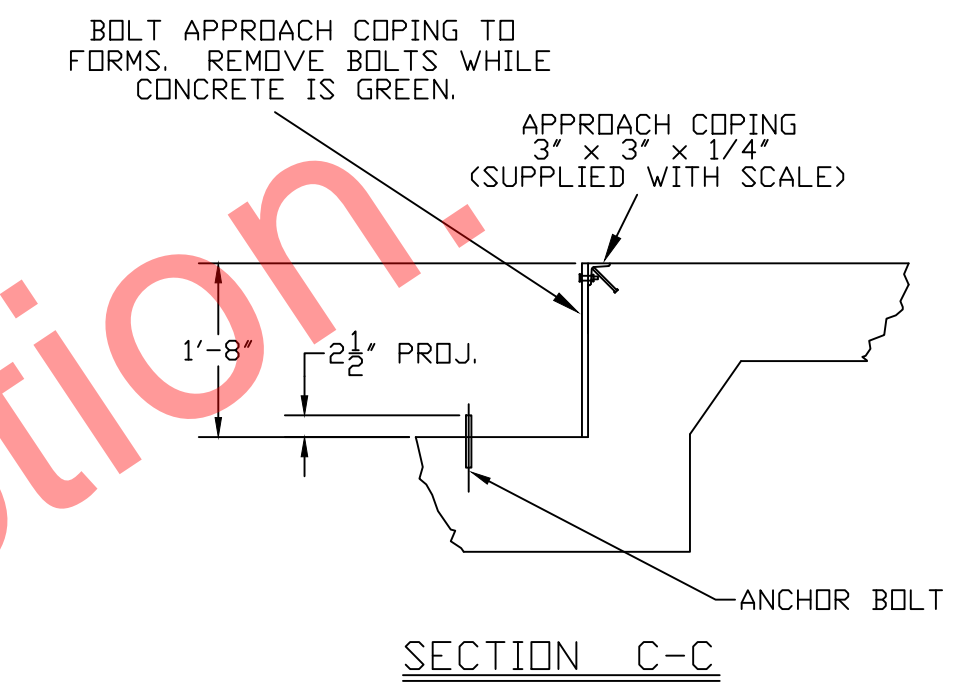
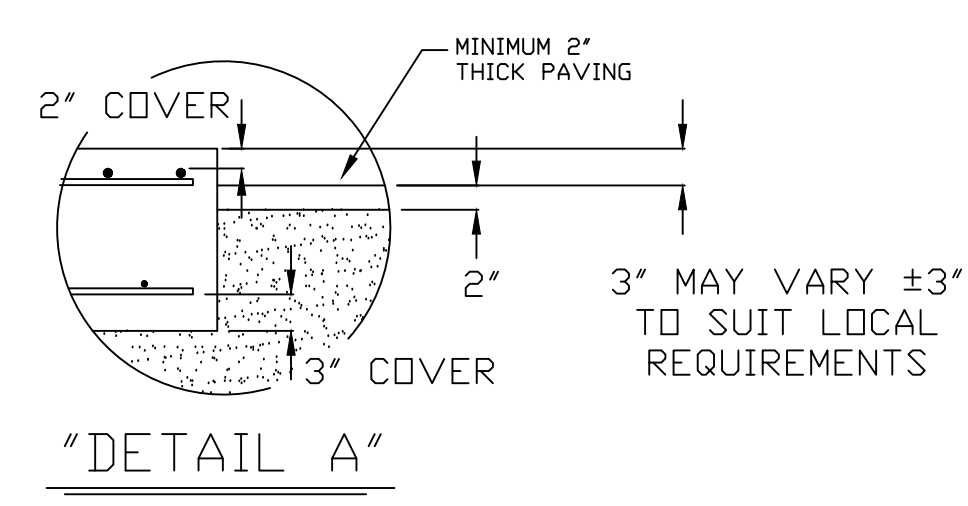


TYPICAL SIDE ELEVATION OF SCALE INSTALLATION



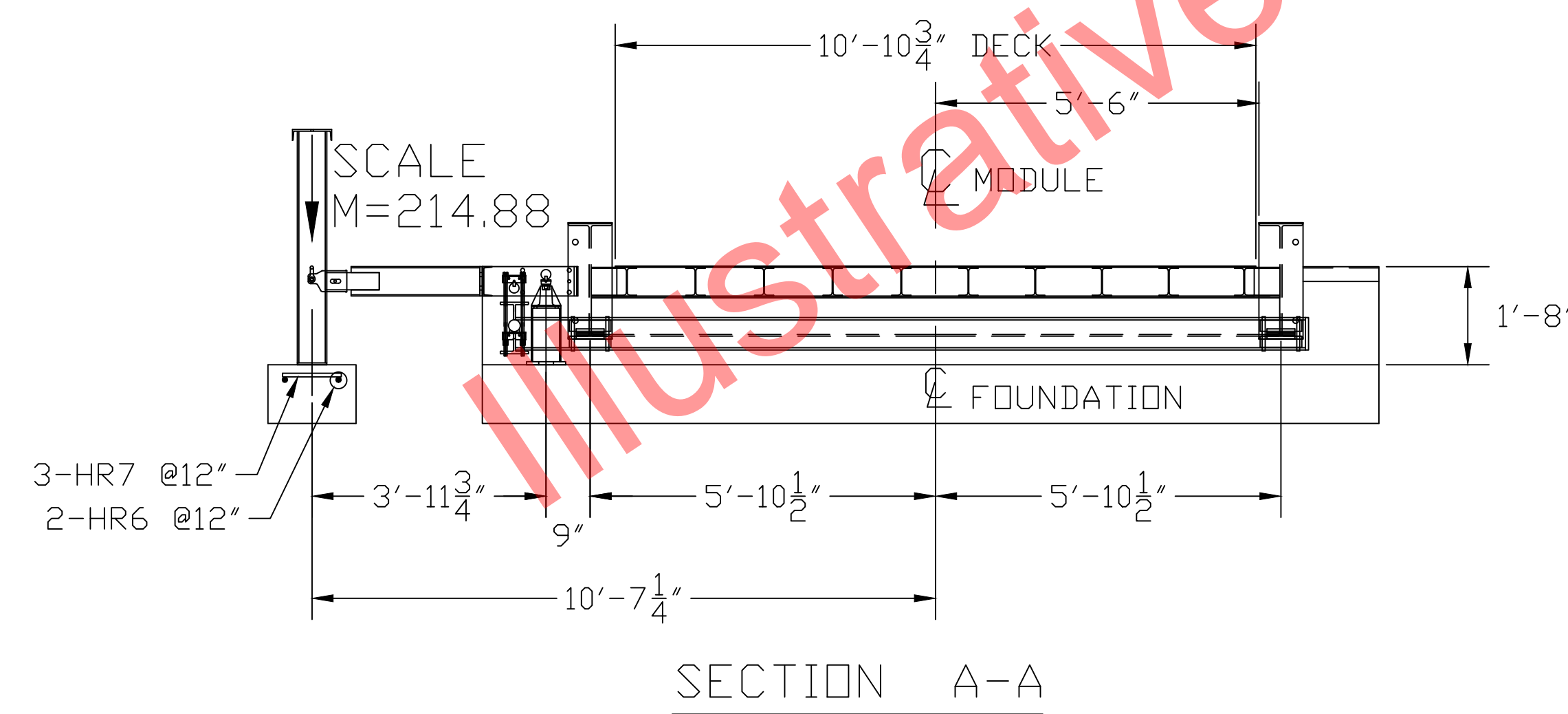
DRILL TYPE ANCHOR INFORMATION  
 (DRILL TYPE ANCHORS PROVIDED WITH THE SCALE)  
 FOR THE CORNER STANDS (16 REQUIRED)  
 FOR THE FULCRUM & LC STANDS (10 REQUIRED)  
 5/8 DIA X 6' STUD TYPE ANCHORS  
 DRILL DIA 5/8", DRILL DEPTH 3 1/2'

ANCHOR DETAIL



NOTES:

- FOUNDATION DESIGN IS BASED ON A MINIMUM SOIL BEARING CAPACITY OF 3000 LB/SQ. FT. FOR SOIL CONDITIONS WHICH DO NOT MEET THIS SPECIFICATION, CONSULT WITH THE THURMAN SCALE COMPANY.
- THE FOUNDATION SHALL BE INSTALLED AT AN ELEVATION AND LOCATION TO INSURE ADEQUATE DRAINAGE AWAY FROM SCALE. A PERIMETER TRENCH AND AGGREGATE BASE MAY BE ADDED IF DRAINAGE IS NOT SUFFICIENT TO MAINTAIN 3000 LB/SQ. FT. BEARING CAPACITY.
- BOTTOM OF FOOTERS SHOULD EXTEND BELOW THE FROST LINE. AN 18 INCH FOOTER DEPTH IS MINIMUM.
- N.I.S.T. H-44 REQUIREMENTS AND LOCAL WEIGHTS AND MEASURES REGULATIONS MAY REQUIRE INSTALLATION PARAMETERS SOMEWHAT DIFFERENT THAN ILLUSTRATED ON THIS PLAN. IN ORDER TO INSURE COMPLIANCE, CONSULT THE LOCAL WEIGHTS & MEASURES OFFICE PRIOR TO CONSTRUCTION. CONCRETE OF 4000 PSI MINIMUM COMPRESSIVE STRENGTH IS REQUIRED, WITH 5-7% AIR ENTRAINMENT. VIBRATE CONCRETE WHEN POURING. FOLLOW LATEST ACI REQUIREMENTS FOR MATERIALS AND CONSTRUCTION. DO NOT CAST UNLESS TEMPERATURE IS ABOVE 40 DEGREES FAHRENHEIT.
- PIERS MUST BE LEVEL AND IN THE SAME PLANE WITHIN ±1/8 INCH.
- EXCAVATION, FORMS, REINFORCING STEEL, GUARD POSTS, AND CONCRETE FURNISHED BY OTHERS.
- DO NOT PLACE REBAR IN CLOSE PROXIMITY OF ANCHOR BOLTS.



FOUNDATION REINFORCING SCHEDULE					
ASTM 615 - GRADE 60					
MARK	QTY	SIZE	LENGTH	WEIGHT (LBS)	COMMENT
HR1	30	#4	9'-6"	191	LONG. EA. APPROACH
HR2	96	#4	14'-11"	957	LAT. EA. APPROACH; PIER
HR3	120	#4	3'-0"	241	LONG. EA. PIER
HR4	2	#4	10'-0"	14	LONG. DUAL FULCRUM PIER
HR5	12	#4	1'-4"	11	LAT. EA. FULCRUM PIER
HR6	6	#4	2'-0"	9	LONG. EA. FULCRUM PIER; LC PIER
HR7	3	#4	1'-0"	2	LAT. LOAD CELL PIER
VR1	60	#4	2'-10"	114	VERT. EA. END WALL
TOTAL WEIGHT				1,539	

REINFORCING STEEL NOTES:  
 1. REINFORCING STEEL SHALL BE FREE OF ALL MUD, DEBRIS, CEMENT GROUT, LOOSE RUST, GREASE, AND OIL.  
 2. TACK WELDING OF BARS IS PROHIBITED.

FOUNDATION CONCRETE	
4000 PSI MINIMUM	
LOCATION	QTY (CU. YDS)
PIERS AS SHOWN	13.9
FLOOR AT 2" THICK	6.5
APPROACHES	9.4
OPTIONAL APPROACH SUPPORTS	2.9
TOTAL CONCRETE	32.7

THIS DRAWING IS SUPPLIED AS CHECKED BELOW:

- REFERENCE (ESTIMATES ONLY, NOT FOR CONSTRUCTION)
- CERTIFIED FOR CONSTRUCTION, THURMAN SERIAL#
- CUSTOMER: \_\_\_\_\_ DATE: \_\_\_\_\_
- CUSTOMER APPROVAL, RETURN ONE COPY.
- (ORDER ON HOLD UNTIL SIGNED COPY IS RETURNED)
- APPROVED AS DRAWN, APPROVED BY: \_\_\_\_\_ DATE: \_\_\_\_\_
- APPROVED AS NOTED, APPROVED BY: \_\_\_\_\_ DATE: \_\_\_\_\_

REV	BY	DATE	REVISION
1	JCR	03/20/15	CHANGED TO TWO 25' SPANS (VAS 2 30' SPANS) UPDATED CONCRETE/REBAR SCHEDULES

UNLESS OTHERWISE SPECIFIED: DIMENSIONS ARE IN INCHES TOLERANCES FRACTIONS ±1/8" ANGLES #3.005 3-PLACE DECIMAL #3.005 2-PLACE DECIMAL #3.005 1-PLACE DECIMAL #3.005

MATERIAL FINISH A36 N/A

DATE 11/2/12

SCALE: N/A

DRAWN BY: JCR

CHECKED BY:

APPROVED BY:

THE MATERIAL AND INFORMATION CONTAINED HEREIN IS CONFIDENTIAL AND IS THE PROPERTY OF THURMAN SCALE COMPANY AND IS NOT TO BE USED, DISCLOSED, COPIED, TRANSFERRED, OR REPRODUCED WITHOUT THE PRIOR WRITTEN PERMISSION OF THURMAN SCALE COMPANY.

**THURMAN SCALE**  
COLUMBUS, OH

8140 90K CLC  
80' X 11' FOOTINGS  
FOUNDATION (4 SECTION)

SHEET 1 OF 1

DRAWING NUMBER: 92690-FT

REVISION: 1