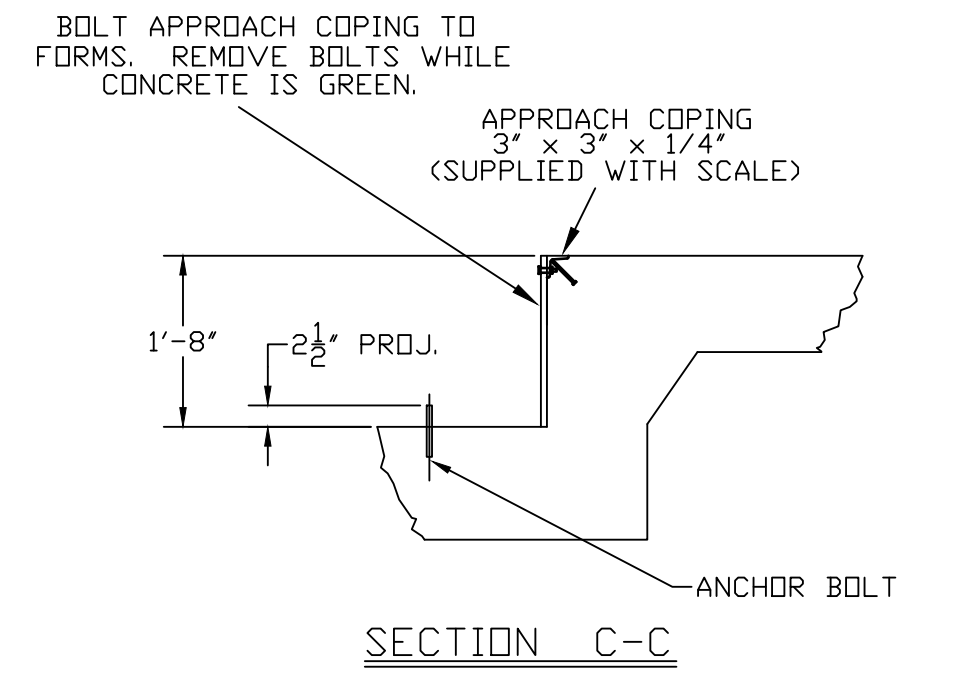
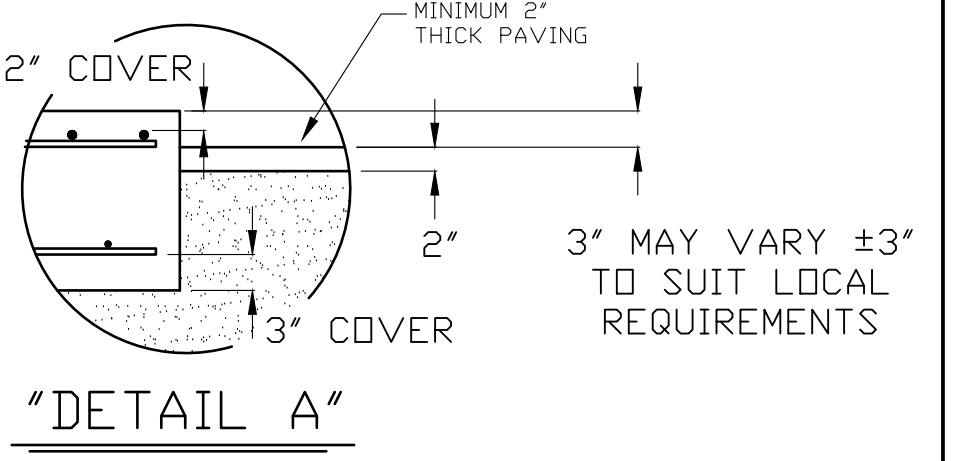


N.I.S.T. H-44 REQUIRES THAT ON THE APPROACH ENDS OF THIS VEHICLE SCALE, THERE SHALL BE A STRAIGHT APPROACH AT LEAST HALF THE LENGTH OF THE PLATFORM, BUT NOT REQUIRED TO BE MORE THAN 40 FEET. NOT LESS THAN 10 FEET OF ANY APPROACH ADJACENT TO THE PLATFORM SHALL BE LEVEL AND CONSTRUCTED OF CONCRETE OR SIMILAR DURABLE MATERIAL. ANY SLOPE IN THE REMAINING PORTION OF THE APPROACH SHALL INSURE EASE OF VEHICLE ACCESS, EASE FOR TESTING PURPOSES, AND DRAINAGE AWAY FROM THE SCALE.

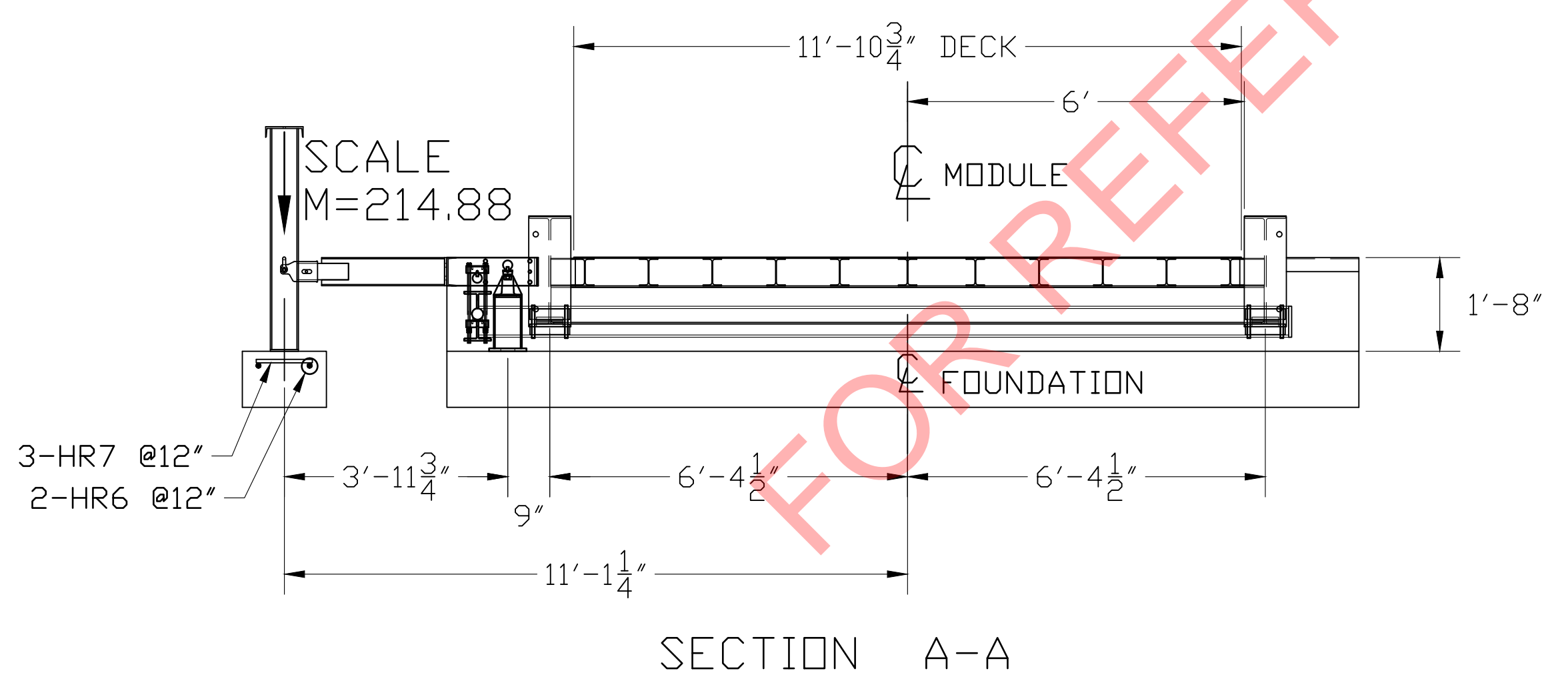


DRILL TYPE ANCHOR INFORMATION (DRILL TYPE ANCHORS PROVIDED WITH THE SCALE) FOR THE CORNER STANDS (16 REQUIRED) FOR THE FULCRUM & LC STANDS (10 REQUIRED) 5/8 DIA X 6" STUD TYPE ANCHORS DRILL DIA 5/8", DRILL DEPTH 3 1/2"



- NOTES:
- FOUNDATION DESIGN IS BASED ON A MINIMUM SOIL BEARING CAPACITY OF 3000 LB/SQ. FT. FOR SOIL CONDITIONS WHICH DO NOT MEET THIS SPECIFICATION, CONSULT WITH THE THURMAN SCALE COMPANY.
 - THE FOUNDATION SHALL BE INSTALLED AT AN ELEVATION AND LOCATION TO INSURE ADEQUATE DRAINAGE AWAY FROM SCALE. A PERIMETER TRENCH AND AGGREGATE BASE MAY BE ADDED IF DRAINAGE IS NOT SUFFICIENT TO MAINTAIN 3000 LB/SQ. FT. BEARING CAPACITY.
 - BOTTOM OF FOOTERS SHOULD EXTEND BELOW THE FROST LINE. AN 18 INCH FOOTER DEPTH IS MINIMUM.
 - N.I.S.T. H-44 REQUIREMENTS AND LOCAL WEIGHTS AND MEASURES REGULATIONS MAY REQUIRE INSTALLATION PARAMETERS SOMEWHAT DIFFERENT THAN ILLUSTRATED ON THIS PLAN. IN ORDER TO INSURE COMPLIANCE, CONSULT THE LOCAL WEIGHTS & MEASURES OFFICE PRIOR TO CONSTRUCTION.
 - CONCRETE OF 4000 PSI MINIMUM COMPRESSIVE STRENGTH IS REQUIRED, WITH 5-7% AIR ENTRAINMENT. VIBRATE CONCRETE WHEN POURING. FOLLOW LATEST ACI REQUIREMENTS FOR MATERIALS AND CONSTRUCTION. DO NOT CAST UNLESS TEMPERATURE IS ABOVE 40 DEGREES FAHRENHEIT.
 - PIERS MUST BE LEVEL AND IN THE SAME PLANE WITHIN ±1/8 INCH.
 - EXCAVATION, FORMS, REINFORCING STEEL, GUARD POSTS, AND CONCRETE FURNISHED BY OTHERS.
 - DO NOT PLACE REBAR IN CLOSE PROXIMITY OF ANCHOR BOLTS.

TYPICAL SIDE ELEVATION OF SCALE INSTALLATION



FOUNDATION REBAR SCHEDULE						
ASTM A615 GRADE 60						
MARK	QTY.	SIZE	LENGTH	WT.	REMARKS	
HR1	34	#4	9'-6"	216	(17) EA. APPROACH LONG.	
HR2	96	#4	16'-0"	1027	(14) EA. APPROACH LAT; (17) EA. PIER LAT.	
HR3	136	#4	3'-0"	273	(34) EA. PIER LONG.	
HR4	2	#4	10'-0"	14	(2) DUAL FULCRUM PIER LONG.	
HR5	12	#4	1'-4"	11	(3) EA. FULCRUM PIER LAT.	
HR6	6	#4	2'-0"	9	(2) EA. FULCRUM PIER & LC PIER LONG.	
HR7	3	#4	1'-0"	3	(3) LC PIER LAT.	
VR1	68	#4	2'-9"	125	(34) EA. END WALL VERTICAL	
				TOTAL WT.	1678	

- REINFORCING STEEL NOTES:
- REINFORCING STEEL SHALL BE FREE OF ALL MUD, DEBRIS, CEMENT GROUT, LOOSE RUST, GREASE, AND OIL.
 - TACK WELDING OF BARS IS PROHIBITED.

CONCRETE REQUIREMENTS	
4000 PSI	
AREA	QTY. (CU. YDS.)
PIERS AS SHOWN	13
APPROACHES	10
FLOOR AT 2" THICK	7
OPTIONAL APPROACH SUPPORTS	3.5
TOTAL	33.5

THIS DRAWING IS SUPPLIED AS CHECKED BELOW:

REFERENCE (ESTIMATES ONLY, NOT FOR CONSTRUCTION)

CERTIFIED FOR CONSTRUCTION, THURMAN #

CUSTOMER: _____ DATE: _____

CUSTOMER P.O.# _____ DATE: _____

CUSTOMER APPROVAL, RETURN ONE COPY. (ORDER ON HOLD UNTIL SIGNED COPY IS RETURNED)

APPROVED AS DRAWN, APPROVED BY: _____ DATE: _____

APPROVED AS NOTED, APPROVED BY: _____ DATE: _____

LET	BY	DATE	REVISION

THURMAN SCALE
COLUMBUS, OH

8140 90K CLC
80' X 12' FOOTINGS
FOUNDATION (4 SECTION)

DATE: 11/2/12

SCALE: N/A SHEET 1 OF 1

DRAWN BY: JCR MODEL: _____

CHECKED BY: LC DRAWING NUMBER: 92697-FT

APPROVED BY: LC REVISION: 0