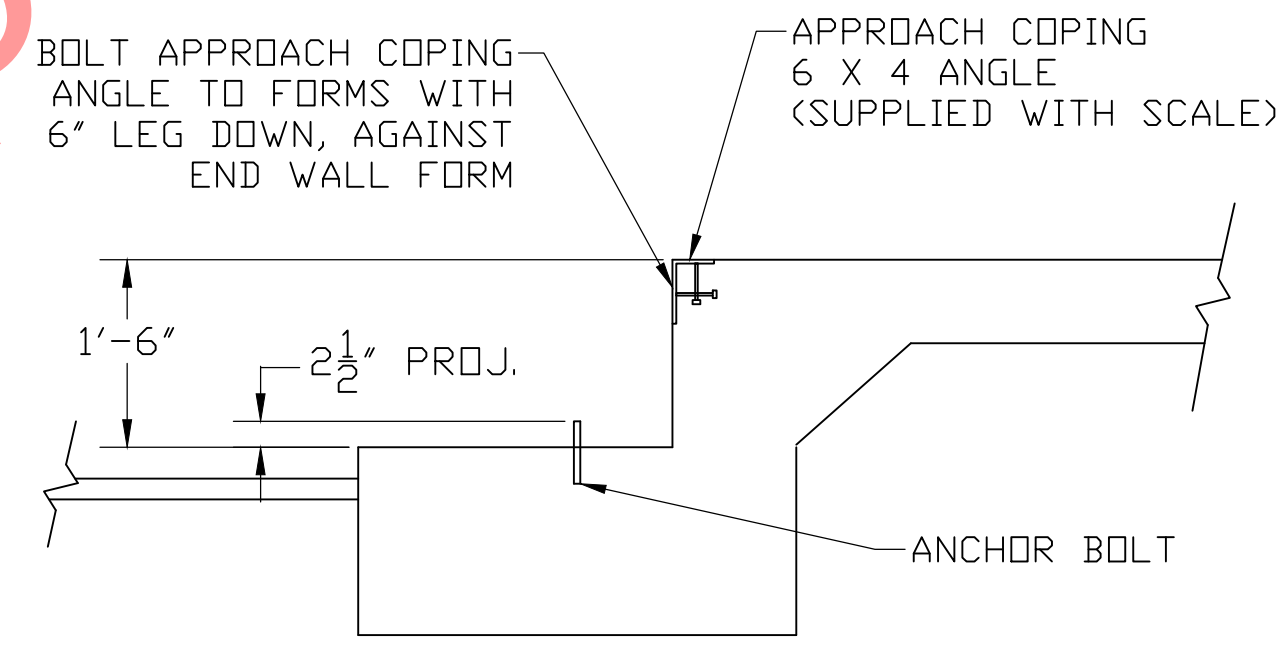


- NOTES:
- FOUNDATION SHOWN IS DESIGNED FOR SOILS WITH A MINIMUM BEARING CAPACITY OF 3000 PSF AND ADEQUATE DRAINAGE. IF SOIL CONDITIONS DO NOT MEET THESE REQUIREMENTS, ADJUST FOUNDATION OR SOIL CONDITIONS AS REQUIRED.
  - IN AREAS OF THE COUNTRY WHERE THERE IS SEVERE FREEZING, INCREASE THE DEPTH OF THE FOUNDATION SO THAT THE BOTTOM EXTENDS BELOW THE FROST LINE, OR PROVIDE A MINIMUM OF 12" FREE DRAINING GRANULAR MATERIAL TO PREVENT FROST HEAVE.
  - N.I.S.T. H-44 REQUIREMENTS AND LOCAL WEIGHTS AND MEASURES REGULATIONS MAY REQUIRE INSTALLATION PARAMETERS SOMEWHAT DIFFERENT THAN ILLUSTRATED ON THIS PLAN. IN ORDER TO INSURE COMPLIANCE, CONSULT THE LOCAL WEIGHTS & MEASURES OFFICE PRIOR TO CONSTRUCTION.
  - REFER TO SCALE MANUAL FOR INSTALLATION AND OPERATION INSTRUCTIONS.
  - A MINIMUM OF 24" OF CLEARANCE IS REQUIRED ON JUNCTION BOX SIDE OF THE SCALE NEAR THE BOX MOUNTS.

FOUNDATION CONCRETE REQUIREMENTS 4000 P.S.I.	
AREA	QUANTITIES
PIERS AS SHOWN	6.5 CU. YD.
APPROACHES	7 CU. YD.
FLOOR AT 2" THICK	3 CU. YD.
<b>TOTAL</b>	<b>16.5 CU. YD.</b>

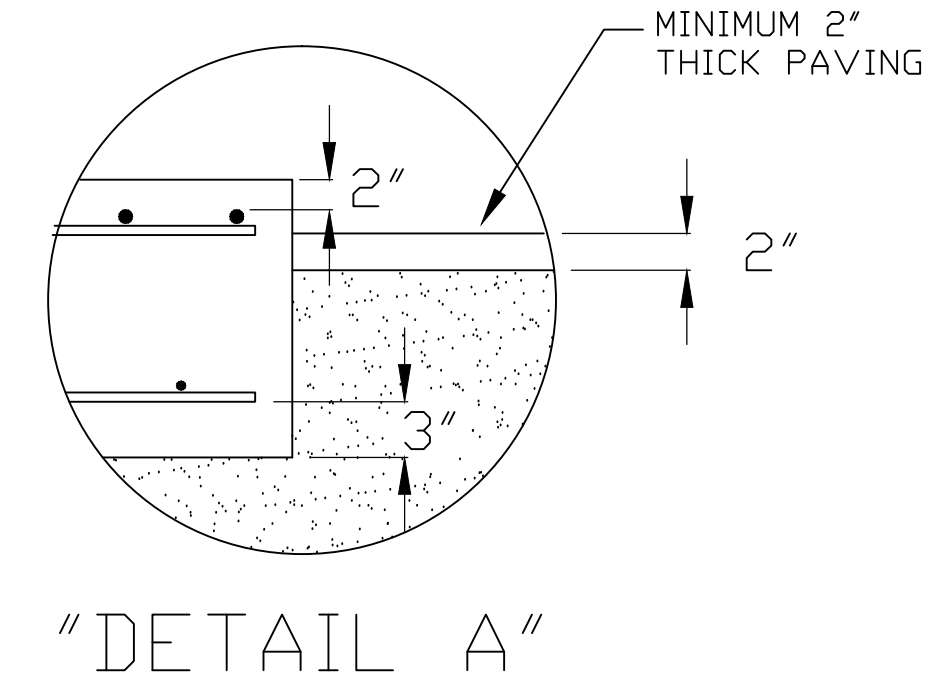
FOUNDATION REINFORCING BAR SCHEDULE ASTM A615 GRADE 60				
MARK NO.	REQ'D.	SIZE	LENGTH	WT.
HR1	79	#4	10'-6"	555
HR2	66	#4	3'-0"	133
HR3	22	#4	9'-6"	140
VR1	44	#4	2'-6"	74
<b>TOTAL WT:</b>				<b>902</b>

- REINFORCING STEEL NOTES:
- REINFORCING STEEL SHALL BE FREE OF ALL MUD, DEBRIS, CEMENT GROUT, LOOSE RUST, GREASE, AND OIL.
  - TACK WELDING OF BARS IS PROHIBITED.



DRILL TYPE ANCHOR INFORMATION  
(DRILL TYPE ANCHORS PROVIDED WITH THE SCALE)

FOR THE LC STANDS (12 REQUIRED)  
5/8 DIA X 6" STUD TYPE ANCHORS  
DRILL DIA 5/8", DRILL DEPTH 3 1/2"



THIS DRAWING IS SUPPLIED AS CHECKED BELOW:

REFERENCE (ESTIMATES ONLY, NOT FOR CONSTRUCTION)

CERTIFIED FOR CONSTRUCTION, THURMAN #

CUSTOMER:

CUSTOMER P.O.# \_\_\_\_\_ DATE: \_\_\_\_\_

CUSTOMER APPROVAL, RETURN ONE COPY. (ORDER ON HOLD UNTIL SIGNED COPY IS RETURNED)

APPROVED AS DRAWN, APPROVED BY: \_\_\_\_\_ DATE: \_\_\_\_\_

APPROVED AS NOTED, APPROVED BY: \_\_\_\_\_ DATE: \_\_\_\_\_

LET	BY	DATE	REVISION
1	JCR	1/31/12	REVISED APPROACH NOTE MADE FROM 92403-FT0

**THURMAN SCALE**  
COLUMBUS, OH

8560 DIAMONDBACK 90K CLC  
46'-8" X 11' FOUNDATION  
(3 SEC, DB LC)

DATE: 3/17/11

SCALE: N/A SHEET 1 OF 1

DRAWN BY: JCR

CHECKED BY: \_\_\_\_\_

APPROVED BY: \_\_\_\_\_

DRAWING NUMBER: 92381-FT

REVISION: 1

THE MATERIAL AND INFORMATION CONTAINED HEREIN IS CONFIDENTIAL AND IS THE PROPERTY OF THURMAN SCALE COMPANY AND IS NOT TO BE USED, DISCLOSED, COPIED, TRANSFERRED, OR REPRODUCED WITHOUT THE PRIOR WRITTEN PERMISSION OF THURMAN SCALE COMPANY.

UNLESS OTHERWISE SPECIFIED: DIMENSIONS ARE IN INCHES TOLERANCES: FRACTIONS ±1/8" ANGLES ±0.005 3-PLACE DECIMAL ±0.005 2-PLACE DECIMAL ±0.02 HOLE DIAMETERS ±1/32"

MATERIAL: A36 FINISH: \_\_\_\_\_