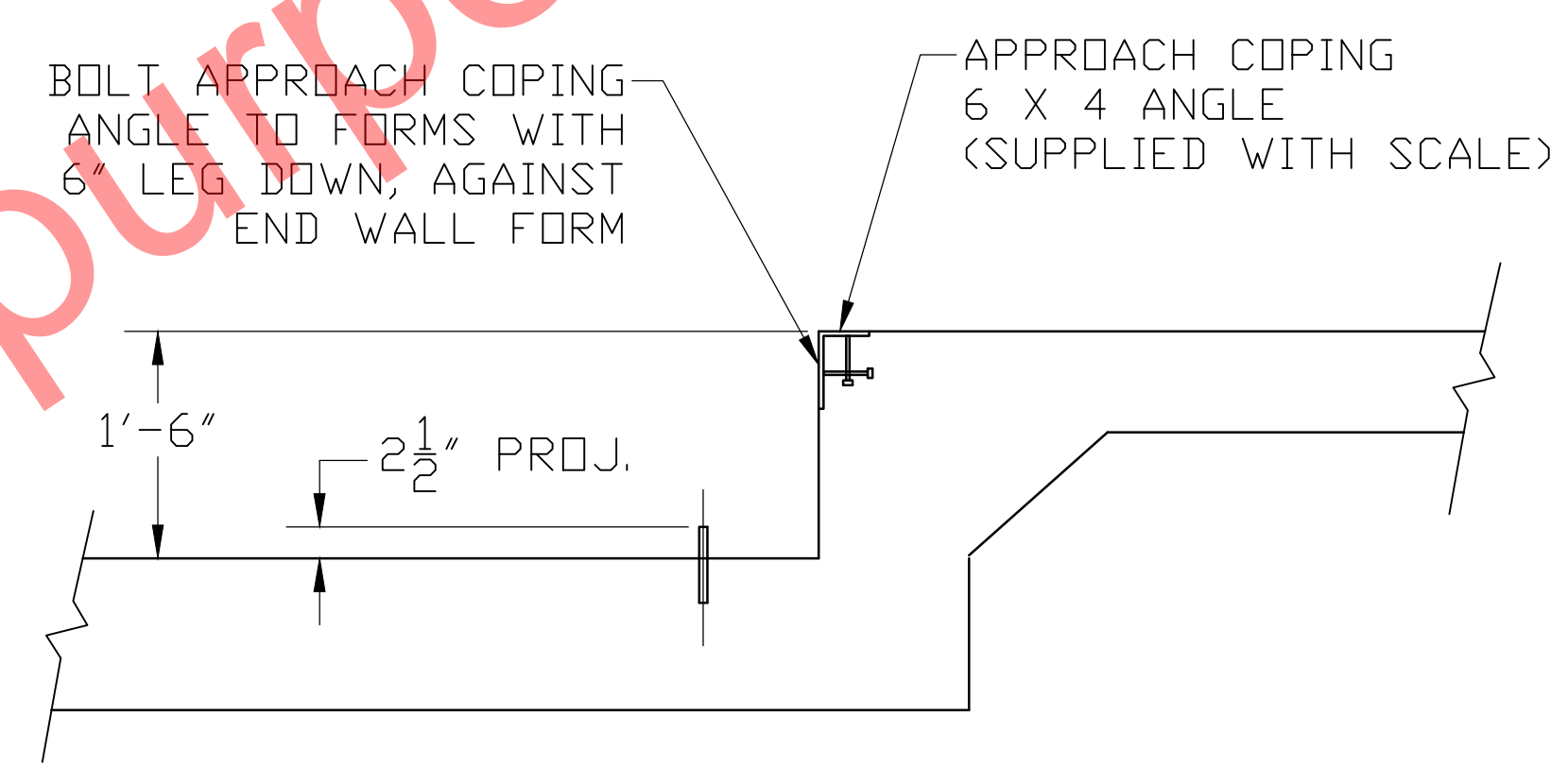


N.I.S.T. H-44 REQUIRES THAT ON THE APPROACH ENDS OF THIS VEHICLE SCALE, THERE SHALL BE A STRAIGHT APPROACH AT LEAST HALF THE LENGTH OF THE PLATFORM, BUT NOT REQUIRED TO BE MORE THAN 40 FEET. NOT LESS THAN 10 FEET OF ANY APPROACH ADJACENT TO THE PLATFORM SHALL BE LEVEL AND CONSTRUCTED OF CONCRETE OR SIMILAR DURABLE MATERIAL. ANY SLOPE IN THE REMAINING PORTION OF THE APPROACH SHALL ENSURE EASE OF VEHICLE ACCESS, EASE FOR TESTING PURPOSES, AND DRAINAGE AWAY FROM THE SCALE.

- NOTES:
1. FOUNDATION SHOWN IS DESIGNED FOR SOILS WITH A MINIMUM BEARING CAPACITY OF 2000 PSF AND ADEQUATE DRAINAGE. IF SOIL CONDITIONS DO NOT MEET THESE REQUIREMENTS, ADJUST FOUNDATION OR LOCAL CONDITIONS AS REQUIRED.
 2. IN AREAS OF THE COUNTRY WHERE THERE IS SEVERE FREEZING, INCREASE THE DEPTH OF THE FOUNDATION SO THAT THE BOTTOM EXTENDS BELOW THE FROST LINE, OR PROVIDE A MINIMUM OF 12" FREE DRAINING GRANULAR MATERIAL TO PREVENT FROST HEAVE.
 3. N.I.S.T. H-44 REQUIREMENTS AND LOCAL WEIGHTS AND MEASURES REGULATIONS MAY REQUIRE INSTALLATION PARAMETERS SOMEWHAT DIFFERENT THAN ILLUSTRATED ON THIS PLAN. IN ORDER TO INSURE COMPLIANCE, CONSULT THE LOCAL WEIGHTS & MEASURES OFFICE PRIOR TO CONSTRUCTION.
 4. REFER TO SCALE MANUAL FOR INSTALLATION AND OPERATION INSTRUCTIONS.
 5. A MINIMUM OF 24" OF CLEARANCE IS REQUIRED ON JUNCTION BOX SIDE OF THE SCALE NEAR THE BOX MOUNTS.

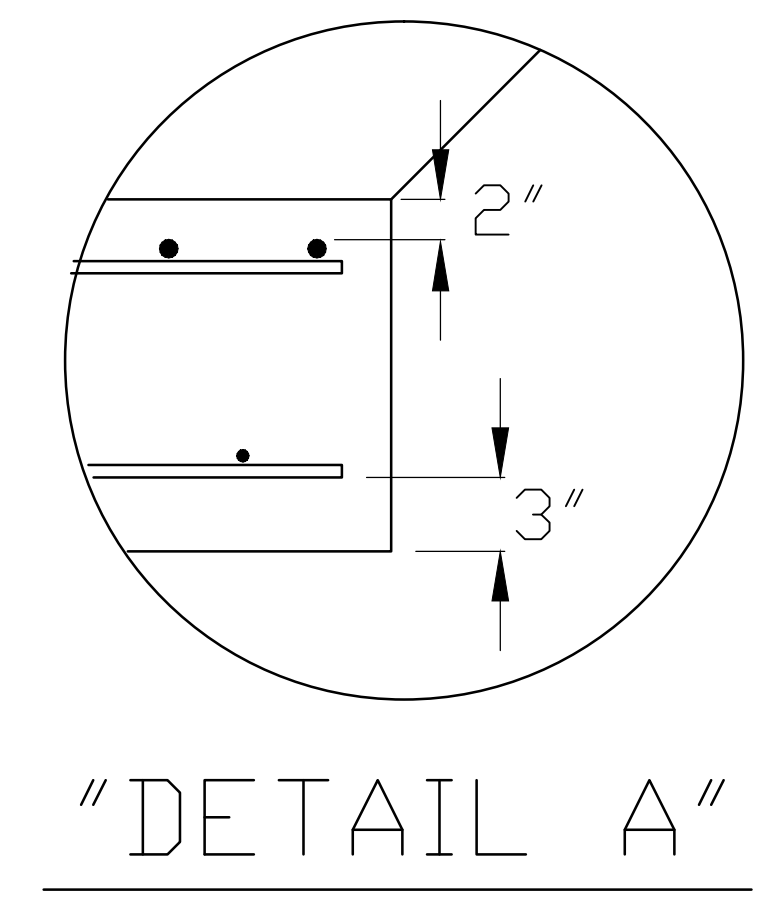
FOUNDATION CONCRETE REQUIREMENTS	
4000 P.S.I.	
AREA	QUANTITIES
SCALE SLAB	31 CU. YD.
APPROACHES	6 CU. YD.
TOTAL	37 CU. YD.

FOUNDATION REINFORCING BAR SCHEDULE					
ASTM A615 GRADE 60					
MARK	NO.	REQ'D.	SIZE	LENGTH	WT.
HR1	50	#4	9'-6"		317
HR2	20	#4	9'-6"		127
HR3	100	#4	5'-0"		334
HR4	134	#4	9'-6"		850
HR5	40	#4	18'-0"		481
VR1	40	#4	2'-0"		53
TOTAL WT:					2163



DRILL TYPE ANCHOR INFORMATION (DRILL TYPE ANCHORS PROVIDED WITH THE SCALE)

FOR THE LC STANDS (20 REQUIRED)
5/8 DIA X 6" STUD TYPE ANCHORS
DRILL DIA 5/8", DRILL DEPTH 3 1/2"



- REINFORCING STEEL NOTES:
1. REINFORCING STEEL SHALL BE FREE OF ALL MUD, DEBRIS, CEMENT GROUT, LOOSE RUST, GREASE, AND OIL.
 2. TACK WELDING OF BARS IS PROHIBITED.

ANCHOR DETAIL

THIS DRAWING IS SUPPLIED AS CHECKED BELOW:

REFERENCE (ESTIMATES ONLY, NOT FOR CONSTRUCTION)

CERTIFIED FOR CONSTRUCTION, THURMAN #

CUSTOMER: _____ DATE: _____

CUSTOMER P.O.# _____

CUSTOMER APPROVAL, RETURN ONE COPY. (ORDER ON HOLD UNTIL SIGNED COPY IS RETURNED)

APPROVED AS DRAWN, APPROVED BY: _____ DATE: _____

APPROVED AS NOTED, APPROVED BY: _____ DATE: _____

LET	BY	DATE	REVISION
3	JCR	1/31/12	REVISED APPROACH NOTE
2	JCR	4/29/11	REVISED REBAR NOTE
1	JCR	4/19/11	ADDED ANCHOR DETAIL

THURMAN SCALE
COLUMBUS, OH

8560 DIAMONDBACK 90K CLC
80' X 10' (5 SEC)
FULL SLAB FOUNDATION

DATE: 7/24/07

SCALE: N/A SHEET 1 OF 1

DRAWN BY: CMC

CHECKED BY: _____

APPROVED BY: _____

DRAWING NUMBER: 92373-SL

REVISION: 3

UNLESS OTHERWISE SPECIFIED: DIMENSIONS ARE IN INCHES TOLERANCES: FRACTIONS ±1/8" ±1" 2-PLACE DECIMAL ±0.005 ±0.010 HOLE DIAMETERS ±1/32"

MATERIAL: A36 FINISH: N/A