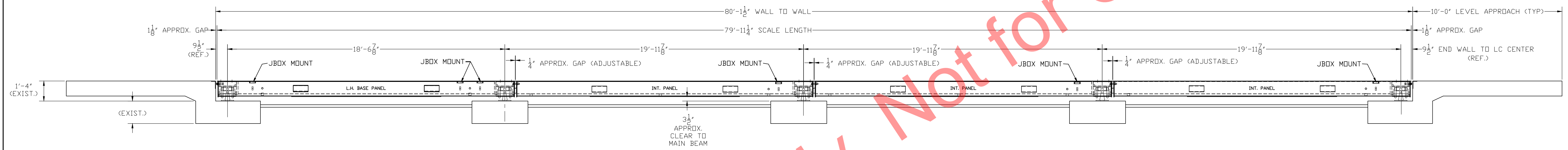


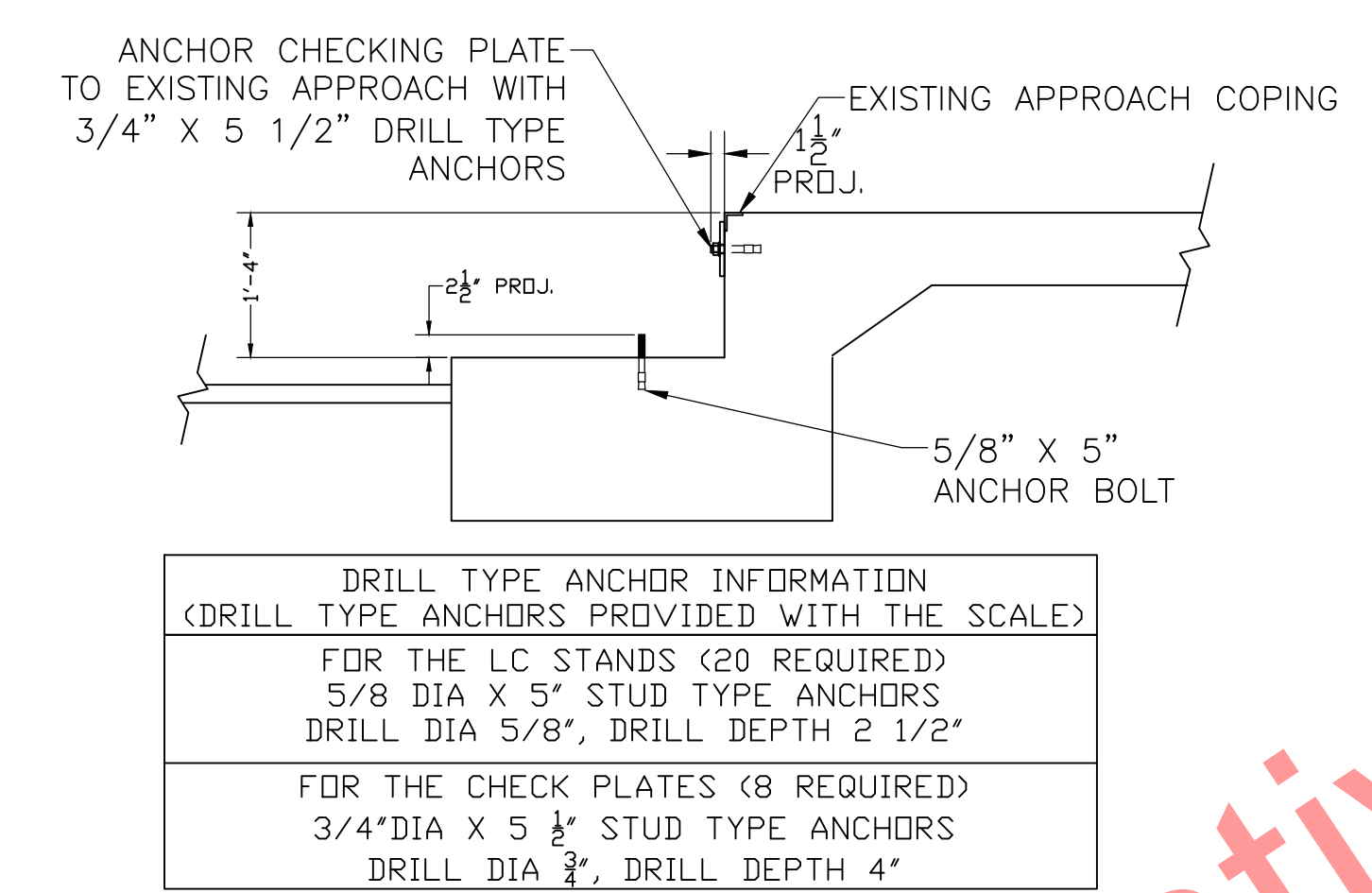
PLAN VIEW



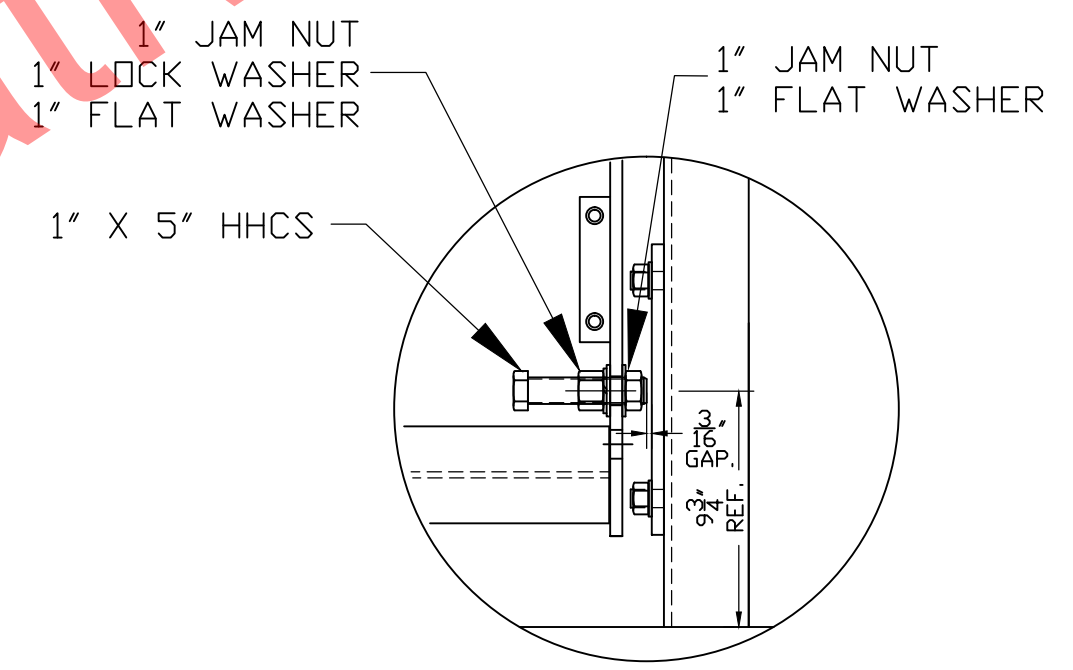
ELEVATION SECTION

NOTES:

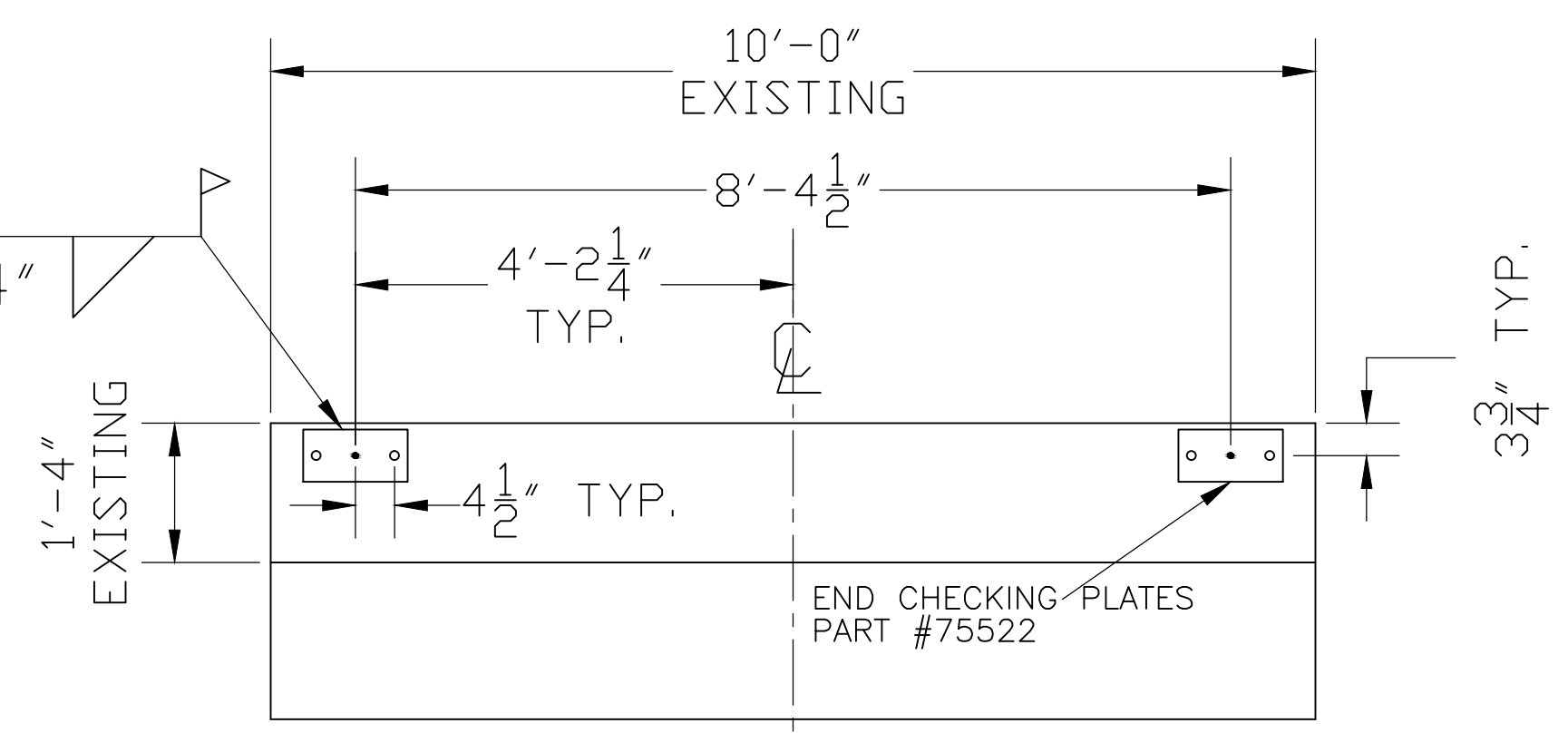
1. FOUNDATION IS EXISTING DESIGN. REFER TO EXISTING FOUNDATION AND ASSEMBLY DRAWINGS FOR SPECIFICATIONS OR DIMENSIONS NOT SHOWN ON THIS DRAWING. THURMAN SCALE COMPANY SHALL NOT BE RESPONSIBLE FOR THE STABILITY OF THE FOUNDATION.
2. IN AREAS OF THE COUNTRY WHERE THERE IS SEVERE FREEZING, INCREASE THE DEPTH OF THE FOUNDATION SO THAT THE BOTTOM EXTENDS BELOW THE FROST LINE, OR PROVIDE A MINIMUM OF 12" FREE DRAINING GRANULAR MATERIAL TO PREVENT FROST HEAVE.
3. N.I.S.T. H-44 REQUIREMENTS AND LOCAL WEIGHTS AND MEASURES REGULATIONS MAY REQUIRE INSTALLATION PARAMETERS SOMEWHAT DIFFERENT THAN ILLUSTRATED ON THIS PLAN. IN ORDER TO INSURE COMPLIANCE, CONSULT THE LOCAL WEIGHTS & MEASURES OFFICE PRIOR TO CONSTRUCTION.
4. REFER TO SCALE MANUAL FOR INSTALLATION AND OPERATION INSTRUCTIONS.
5. A MINIMUM OF 24" OF CLEARANCE IS REQUIRED ON JUNCTION BOX SIDE OF THE SCALE NEAR THE BOX MOUNTS.



ANCHOR DETAIL



CHECKING DETAIL



SECTION A-A END WALL/BUMPS

THIS DRAWING IS SUPPLIED AS CHECKED BELOW:

REFERENCE (ESTIMATES ONLY, NOT FOR CONSTRUCTION)

CERTIFIED FOR CONSTRUCTION, THURMAN #

CUSTOMER: \_\_\_\_\_ DATE: \_\_\_\_\_

CUSTOMER P.O.# \_\_\_\_\_

CUSTOMER APPROVAL, RETURN ONE COPY. (ORDER ON HOLD UNTIL SIGNED COPY IS RETURNED)

APPROVED AS DRAWN, APPROVED BY: \_\_\_\_\_ DATE: \_\_\_\_\_

APPROVED AS NOTED, APPROVED BY: \_\_\_\_\_ DATE: \_\_\_\_\_

LET	BY	DATE	REVISION
3	JCR	1/31/12	REVISED APPROACH NOTE
2	NDC	8/31/10	REV. LC ANCHOR BOLT DT.
1	NDC	6/3/10	UPDATED TO MATCH 100-14210A MADE FROM 92415-EX

COLUMBUS, OH	
8560R 90K 80' X 10'	
16' HT. EXISTING APPROACH	
(4 SECTION, DB LC)	
TO FIT 8560 BOX GRIDER FOUNDATION	
DATE	6/2/10
SCALE	N/A
DRAWN BY	NDC
CHECKED BY	
APPROVED BY	
DRAWING NUMBER	92415-EX
REVISION	3

Illustrative purposes only. Not for Construction.