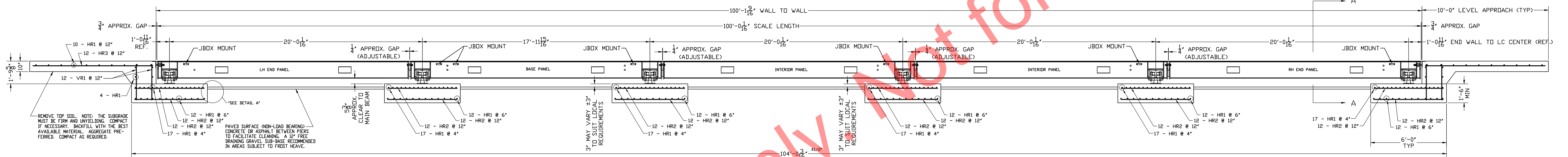


PLAN VIEW



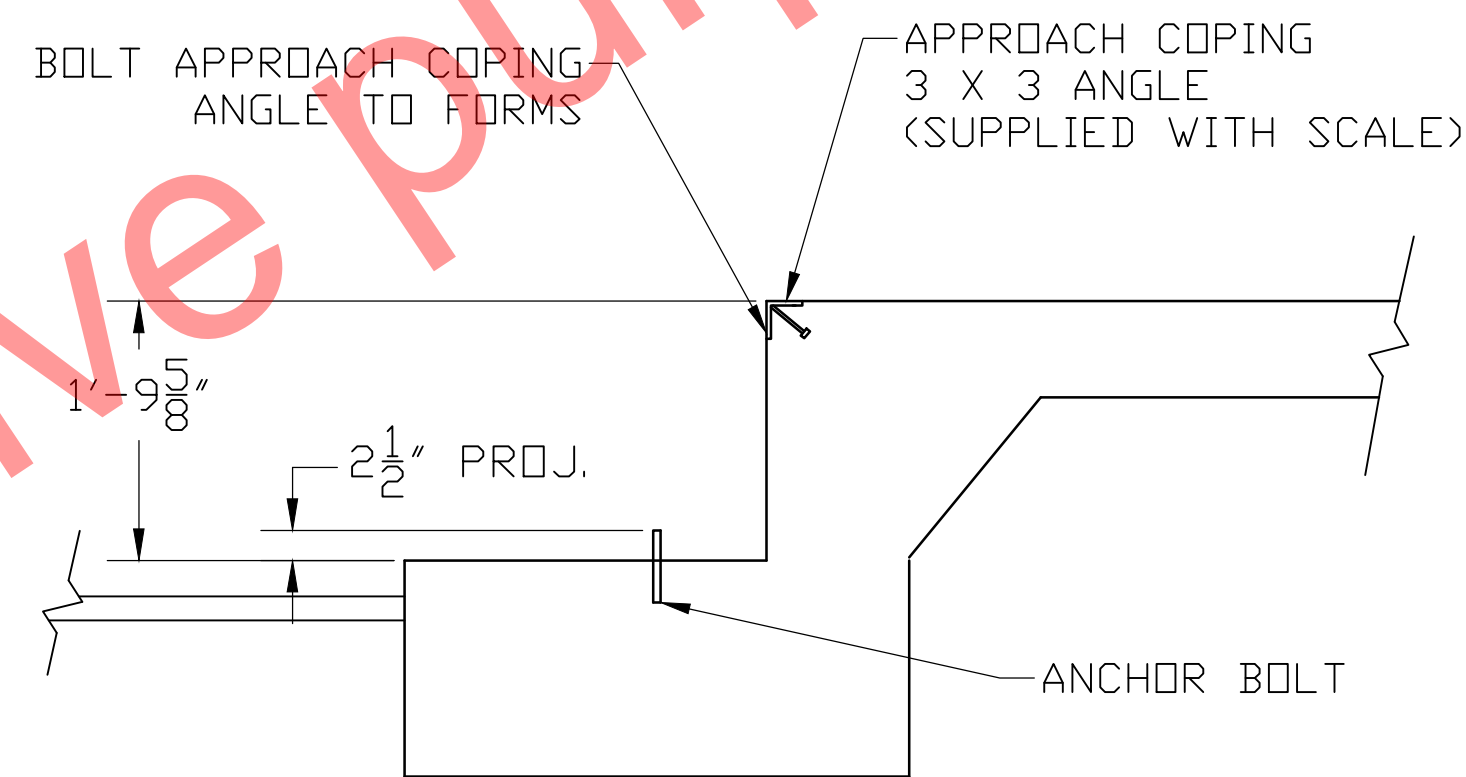
ELEVATION SECTION

FOUNDATION CONCRETE REQUIREMENTS 4000 P.S.I.	
AREA	QUANTITIES
PIERS AS SHOWN	24 CU. YD.
APPROACHES	10 CU. YD.
FLOOR AT 2" THICK	5 CU. YD.
<b>TOTAL</b>	<b>39 CU. YD.</b>

FOUNDATION REINFORCING BAR SCHEDULE ASTM A615 GRADE 60				
MARK NO.	REQ'D.	SIZE	LENGTH	WT.
HR1	202	#4	11'-6"	1552
HR2	144	#4	5'-6"	529
HR3	24	#4	9'-6"	152
VR1	48	#4	2'-9"	88
<b>TOTAL WT:</b>				<b>2321</b>

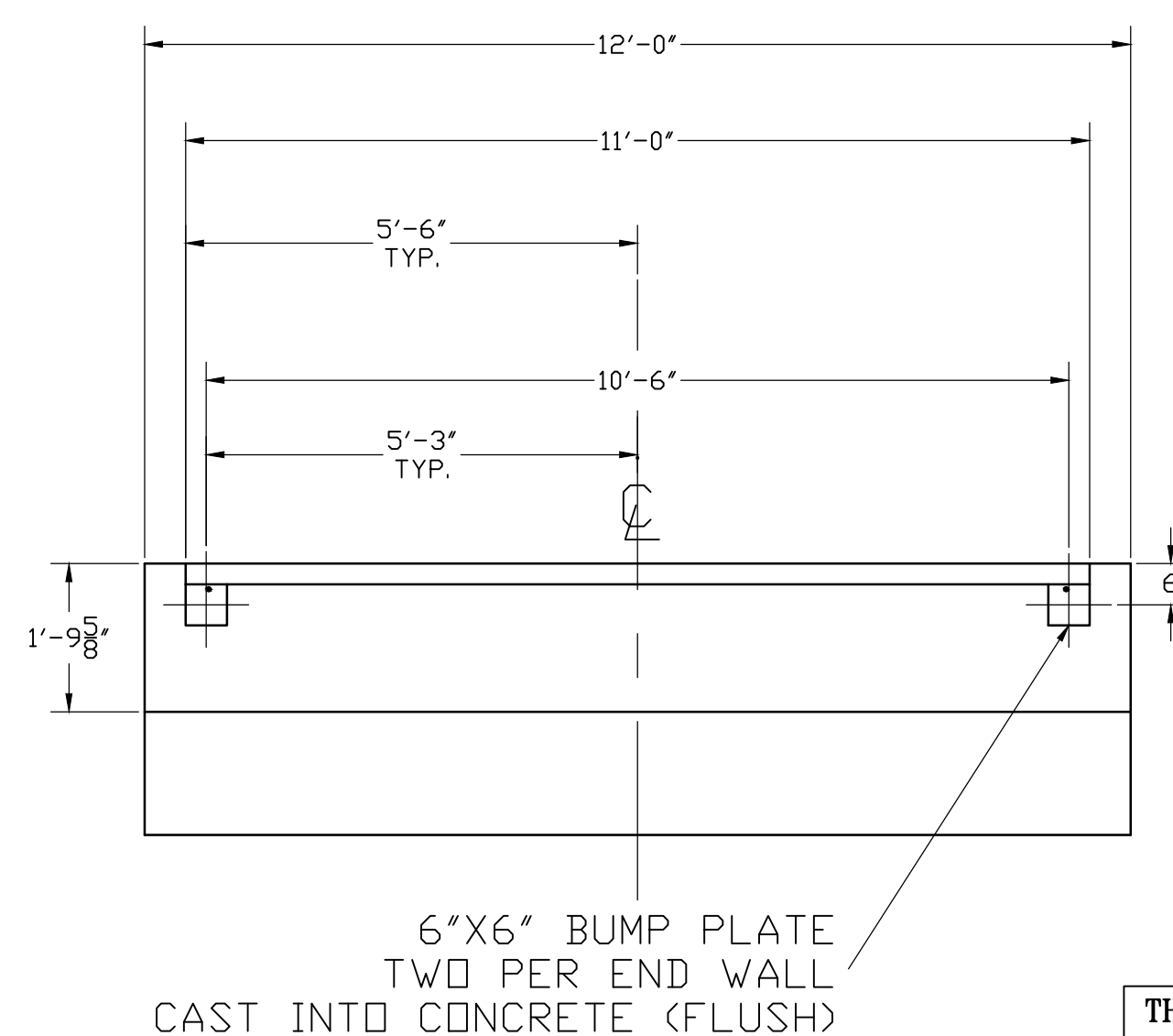
**REINFORCING STEEL NOTES:**

- REINFORCING STEEL SHALL BE FREE OF ALL MUD, DEBRIS, CEMENT GROUT, LOOSE RUST, GREASE, AND OIL.
- TACK WELDING OF BARS IS PROHIBITED.

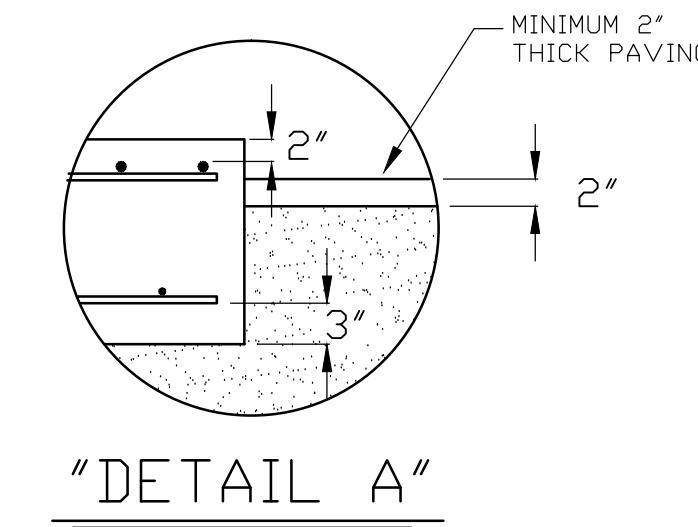


DRILL TYPE ANCHOR INFORMATION  
(DRILL TYPE ANCHORS PROVIDED WITH THE SCALE)  
FOR THE LC STANDS (24 REQUIRED)  
5/8 DIA X 6" STUD TYPE ANCHORS  
DRILL DIA 5/8", DRILL DEPTH 3 1/2"

ANCHOR DETAIL



SECTION A-A END WALL/BUMPS



"DETAIL A"

**NOTES:**

- FOUNDATION SHOWN IS DESIGNED FOR SOILS WITH A MINIMUM BEARING CAPACITY OF 3000 PSF AND ADEQUATE DRAINAGE. IF SOIL CONDITIONS DO NOT MEET THESE REQUIREMENTS, ADJUST FOUNDATION OR SOIL CONDITIONS AS REQUIRED.
- IN AREAS OF THE COUNTRY WHERE THERE IS SEVERE FREEZING, INCREASE THE DEPTH OF THE FOUNDATION SO THAT THE BOTTOM EXTENDS BELOW THE FROST LINE, OR PROVIDE A MINIMUM OF 12" FREE DRAINING GRANULAR MATERIAL TO PREVENT FROST HEAVE.
- N.I.S.T. H-44 REQUIREMENTS AND LOCAL WEIGHTS AND MEASURES REGULATIONS MAY REQUIRE INSTALLATION PARAMETERS SOMEWHAT DIFFERENT THAN ILLUSTRATED ON THIS PLAN. IN ORDER TO INSURE COMPLIANCE, CONSULT THE LOCAL WEIGHTS & MEASURES OFFICE PRIOR TO CONSTRUCTION.
- REFER TO SCALE MANUAL FOR INSTALLATION AND OPERATION INSTRUCTIONS.
- A MINIMUM OF 24" OF CLEARANCE IS REQUIRED ON JUNCTION BOX SIDE OF THE SCALE NEAR THE BOX MOUNTS.

**THIS DRAWING IS SUPPLIED AS CHECKED BELOW:**

- REFERENCE (ESTIMATES ONLY, NOT FOR CONSTRUCTION)
- CERTIFIED FOR CONSTRUCTION, THURMAN #
- CUSTOMER: \_\_\_\_\_ DATE: \_\_\_\_\_
- CUSTOMER P.O.# \_\_\_\_\_
- CUSTOMER APPROVAL, RETURN ONE COPY. (ORDER ON HOLD UNTIL SIGNED COPY IS RETURNED)
- APPROVED AS DRAWN, APPROVED BY: \_\_\_\_\_ DATE: \_\_\_\_\_
- APPROVED AS NOTED, APPROVED BY: \_\_\_\_\_ DATE: \_\_\_\_\_

LET	BY	DATE	REVISION
2	JCR	2/1/12	REVISED APPROACH NOTE; ADDED EXTRA HOLES FOR LOAD CELL CABLES
1	JCR	9/21/11	MOVED BASE MIDDLE TO CENTER OF SCALE; CHANGED NUMBER OF LC ANCHORS REQUIRED (WAS 20) MADE FROM 92444-FT

8560 DIAMONDBACK XD	
130K CLC 100' X 11'	
FOUNDATION (6 SECTION, DB LC)	
DATE	05/25/10
SCALE	N/A
DRAWN BY	LB
CHECKED BY	
APPROVED BY	
DRAWING NUMBER	146847-FT
REVISION	2