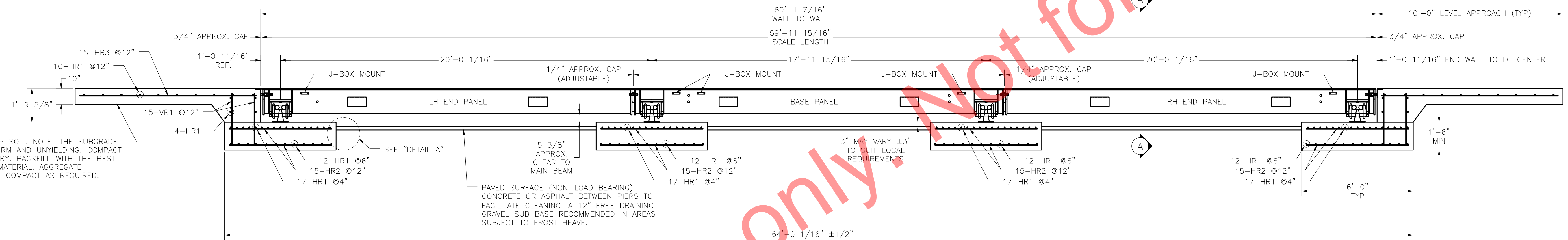


INSTALL (2) 3" X 8'-0" LONG GROUND RODS (TO PROJECT 3"), ONE FOR GROUNDING INTALOGIX POWER SUPPLY, ONE FOR GROUNDING SCALE WEIGHBRIDGE. POWER SUPPLY GROUND MUST BE SEPARATE FROM WEIGHBRIDGE GROUND. TWO GROUND RODS ARE SUPPLIED WITH SCALE.

1" MIN. CONDUIT (BY OTHERS) FOR CABLE FROM JUNCTION BOX TO SCALEHOUSE. CONDUIT TO EXTEND 2" ABOVE THE TOP OF PIER.

N.I.S.T. H-44 REQUIRES THAT ON THE APPROACH ENDS OF THIS VEHICLE SCALE, THERE SHALL BE A STRAIGHT APPROACH AT LEAST HALF THE LENGTH OF THE PLATFORM, BUT NOT REQUIRED TO BE MORE THAN 40 FEET. NOT LESS THAN 10 FEET OF ANY APPROACH ADJACENT TO THE PLATFORM SHALL BE LEVEL AND CONSTRUCTED OF CONCRETE OR SIMILAR DURABLE MATERIAL. ANY SLOPE IN THE REMAINING PORTION OF THE APPROACH SHALL ENSURE EASE OF VEHICLE ACCESS, EASE FOR TESTING PURPOSES, AND DRAINAGE AWAY FROM THE SCALE.

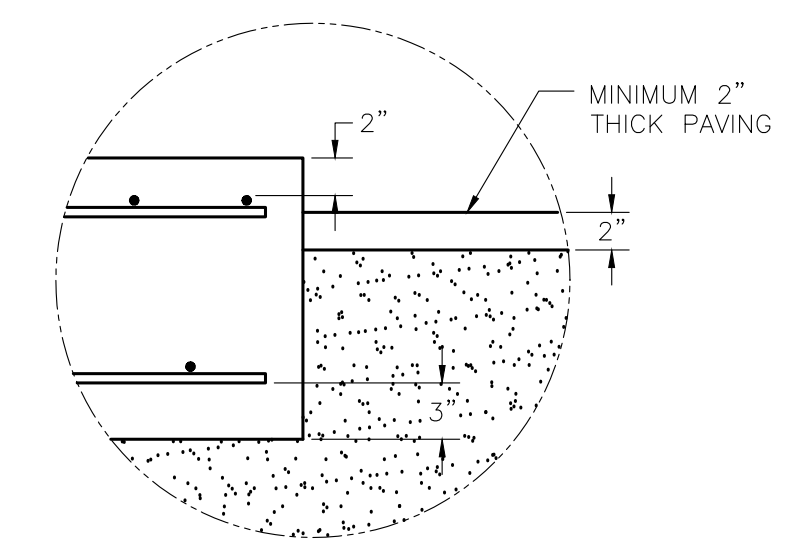
PLAN VIEW



REMOVE TOP SOIL. NOTE: THE SUBGRADE MUST BE FIRM AND UNYIELDING. COMPACT IF NECESSARY. BACKFILL WITH THE BEST AVAILABLE MATERIAL. AGGREGATE PREFERRED. COMPACT AS REQUIRED.

PAVED SURFACE (NON-LOAD BEARING) CONCRETE OR ASPHALT BETWEEN PIERS TO FACILITATE CLEANING. A 12" FREE DRAINING GRAVEL SUB BASE RECOMMENDED IN AREAS SUBJECT TO FROST HEAVE.

ELEVATION SECTION



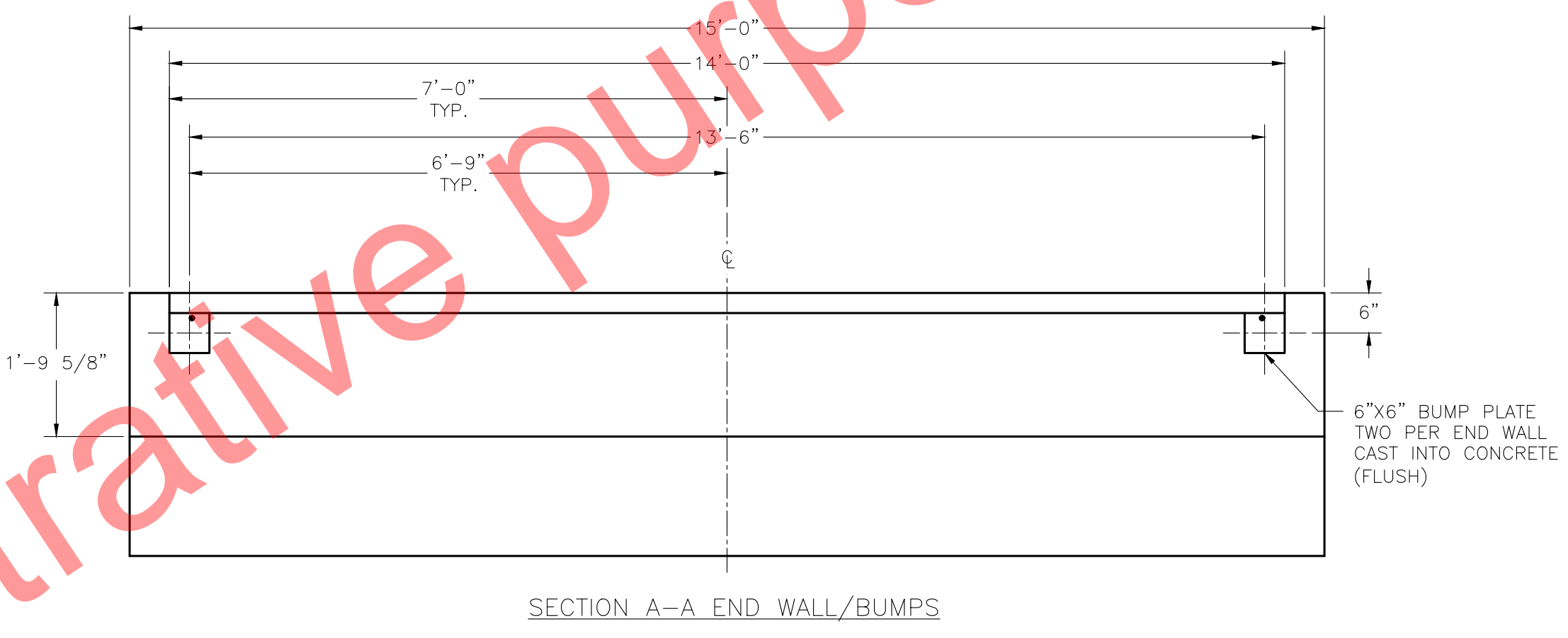
"DETAIL A"

- NOTES:
- FOUNDATION SHOWN IS DESIGNED FOR SOILS WITH A MINIMUM BEARING CAPACITY OF 3000 PSF AND ADEQUATE DRAINAGE. IF SOIL CONDITIONS DO NOT MEET THESE REQUIREMENTS, ADJUST FOUNDATION OR SOIL CONDITIONS AS REQUIRED.
 - IN AREAS OF THE COUNTRY WHERE THERE IS SEVERE FREEZING, INCREASE THE DEPTH OF THE FOUNDATION SO THAT THE BOTTOM EXTENDS BELOW THE FROST LINE, OR PROVIDE A MINIMUM OF 12" FREE DRAINING GRANULAR MATERIAL TO PREVENT FROST HEAVE.
 - N.I.S.T. H-44 REQUIREMENTS AND LOCAL WEIGHTS AND MEASURES REGULATIONS MAY REQUIRE INSTALLATION PARAMETERS SOMEWHAT DIFFERENT THAN ILLUSTRATED ON THIS PLAN. IN ORDER TO INSURE COMPLIANCE, CONSULT THE LOCAL WEIGHTS & MEASURES OFFICE PRIOR TO CONSTRUCTION.
 - REFER TO SCALE MANUAL FOR INSTALLATION AND OPERATION INSTRUCTIONS.
 - A MINIMUM OF 24" OF CLEARANCE IS REQUIRED ON JUNCTION BOX SIDE OF THE SCALE NEAR THE BOX MOUNTS.

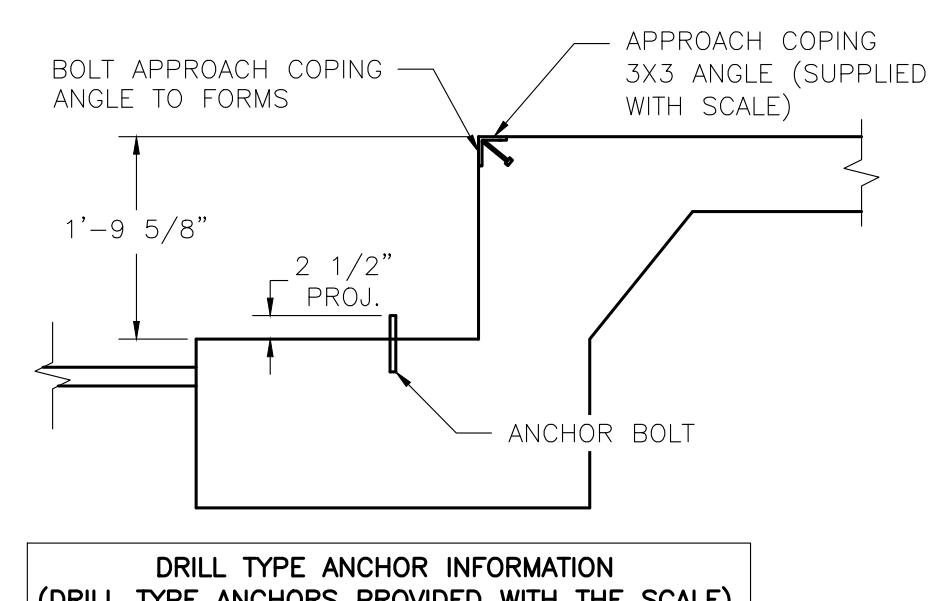
FOUNDATION CONCRETE 4000 PSI MINIMUM	
LOCATION	QTY (CU. YDS)
PIERS AS SHOWN	20
APPROACHES	12
FLOOR AT 2" THICK	3.5
TOTAL CONCRETE	35.5 CU. YDS.

FOUNDATION REINFORCING SCHEDULE ASTM 615 - GRADE 60				
MARK	QTY	SIZE	LENGTH	WEIGHT (LBS)
HR1	144	#4	14'-6"	1395
HR2	120	#4	5'-6"	441
HR3	30	#4	9'-6"	190
VR1	60	#4	2'-9"	110
TOTAL WEIGHT				2136

REINFORCING STEEL NOTES:
 1. REINFORCING STEEL SHALL BE FREE OF ALL MUD, DEBRIS, CEMENT GROUT, LOOSE RUST, GREASE, AND OIL.
 2. TACK WELDING OF BARS IS PROHIBITED.



SECTION A-A END WALL/BUMPS



**DRILL TYPE ANCHOR INFORMATION
(DRILL TYPE ANCHORS PROVIDED WITH THE SCALE)**
 FOR THE LC STANDS (16 REQUIRED)
 5/8 DIA X 6" STUD TYPE ANCHORS
 DRILL DIA 5/8", DRILL DEPTH 3 1/2"

ANCHOR DETAIL

THIS DRAWING IS SUPPLIED AS CHECKED BELOW:
 REFERENCE (ESTIMATES ONLY, NOT FOR CONSTRUCTION)
 CERTIFIED FOR CONSTRUCTION, THURMAN SERIAL#
 CUSTOMER: _____ DATE: _____
 CUSTOMER APPROVAL, RETURN ONE COPY.
 (ORDER ON HOLD UNTIL SIGNED COPY IS RETURNED)
 APPROVED AS DRAWN, APPROVED BY: _____ DATE: _____
 APPROVED AS NOTED, APPROVED BY: _____ DATE: _____

REVISIONS			
REV	BY	DATE	DESCRIPTION
2	JCR	12/4/2015	REVISED DIMENSIONS TO START FROM C IN PLAN VIEW
1	JCR	9/21/2011	MOVED BASE MODULE TO CENTER OF SCALE

THE INFORMATION CONTAINED HEREIN AND IN ANY ATTACHED DRAWINGS IS THE UNCLASSIFIED AND CONFIDENTIAL PROPERTY OF THURMAN SCALE. IT IS TO NOT BE REPRODUCED, COPIED, DISCLOSED, TRANSMITTED, OR OTHERWISE USED WITHOUT WRITTEN PERMISSION FROM THURMAN SCALE. THURMAN SCALE ASSUMES NO RESPONSIBILITY FOR ERRORS TO THIS DOCUMENT AFTER PROOF TRANSMISSION.	UNLESS OTHERWISE SPECIFIED, DIMENSIONS ARE AS FOLLOWS: FRACTIONS: 1/8" DECIMALS: 0.0005 3-PLACE DECIMAL: 0.0005 2-PLACE DECIMAL: 0.005 HOLE DIAMETERS: 1/32"	8560 D'BACK XD 130K CLC 60' X 14' FOUNDATION (4 SECTION, DB LC)	
SCALE: NTS	DRAWN: LDC	CHECKED: _____	
SHEET: 1 OF 1	DATE: 05/15/08	APPROVED: _____	
DRAWING NUMBER: 92438-FT			