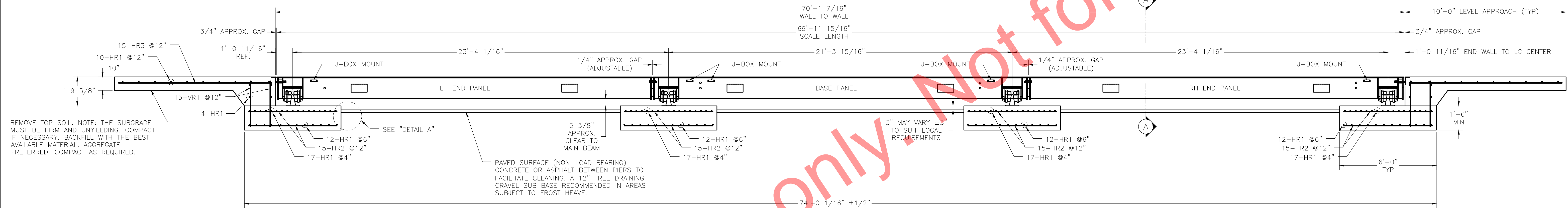
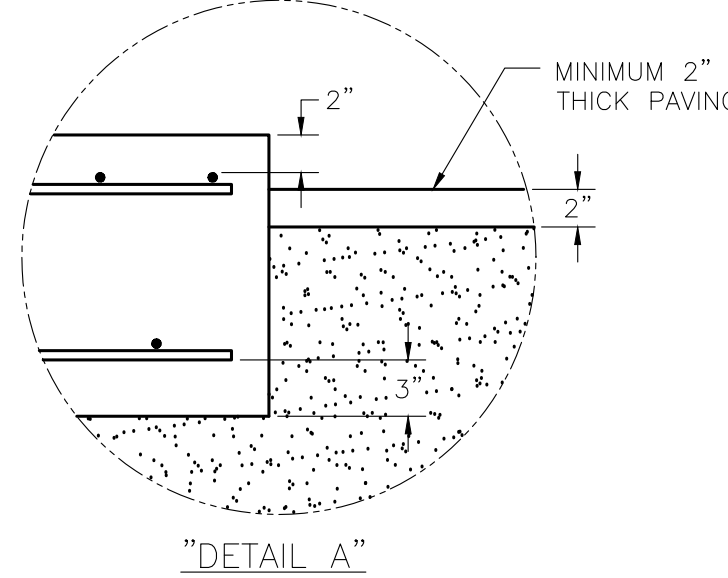


PLAN VIEW

N.I.S.T. H-44 REQUIRES THAT ON THE APPROACH ENDS OF THIS VEHICLE SCALE, THERE SHALL BE A STRAIGHT APPROACH AT LEAST HALF THE LENGTH OF THE PLATFORM, BUT NOT REQUIRED TO BE MORE THAN 40 FEET. NOT LESS THAN 10 FEET OF ANY APPROACH ADJACENT TO THE PLATFORM SHALL BE LEVEL AND CONSTRUCTED OF CONCRETE OR SIMILAR DURABLE MATERIAL. ANY SLOPE IN THE REMAINING PORTION OF THE APPROACH SHALL ENSURE EASE OF VEHICLE ACCESS, EASE FOR TESTING PURPOSES, AND DRAINAGE AWAY FROM THE SCALE.



ELEVATION SECTION

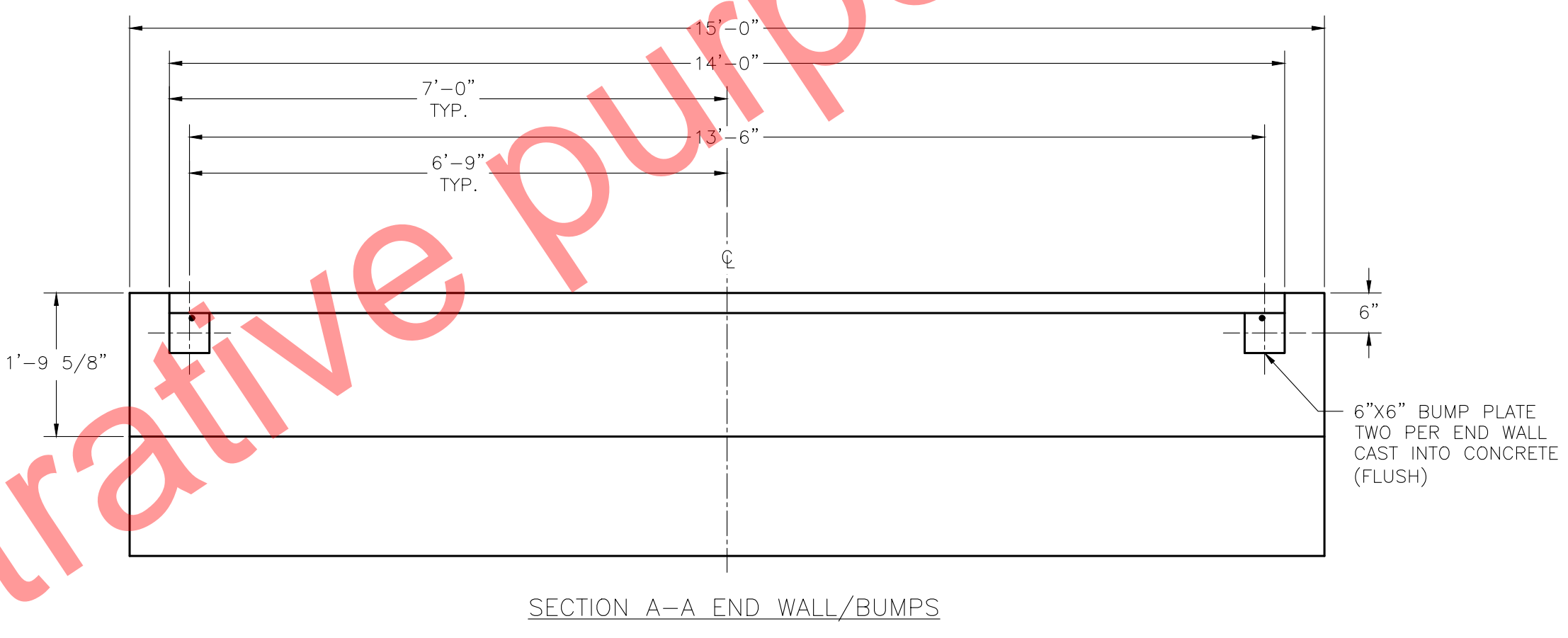


- NOTES:
- FOUNDATION SHOWN IS DESIGNED FOR SOILS WITH A MINIMUM BEARING CAPACITY OF 3000 PSF AND ADEQUATE DRAINAGE. IF SOIL CONDITIONS DO NOT MEET THESE REQUIREMENTS, ADJUST FOUNDATION OR SOIL CONDITIONS AS REQUIRED.
 - IN AREAS OF THE COUNTRY WHERE THERE IS SEVERE FREEZING, INCREASE THE DEPTH OF THE FOUNDATION SO THAT THE BOTTOM EXTENDS BELOW THE FROST LINE, OR PROVIDE A MINIMUM OF 12" FREE DRAINING GRANULAR MATERIAL TO PREVENT FROST HEAVE.
 - N.I.S.T. H-44 REQUIREMENTS AND LOCAL WEIGHTS AND MEASURES REGULATIONS MAY REQUIRE INSTALLATION PARAMETERS SOMEWHAT DIFFERENT THAN ILLUSTRATED ON THIS PLAN. IN ORDER TO INSURE COMPLIANCE, CONSULT THE LOCAL WEIGHTS & MEASURES OFFICE PRIOR TO CONSTRUCTION.
 - REFER TO SCALE MANUAL FOR INSTALLATION AND OPERATION INSTRUCTIONS.
 - A MINIMUM OF 24" OF CLEARANCE IS REQUIRED ON JUNCTION BOX SIDE OF THE SCALE NEAR THE BOX MOUNTS.

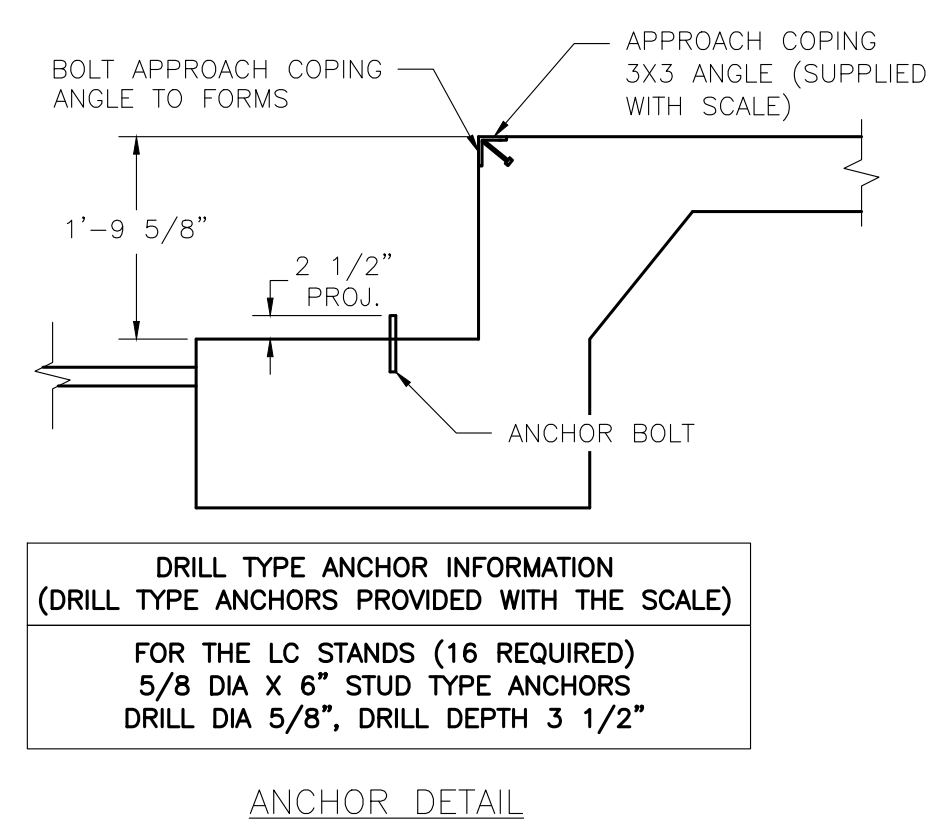
FOUNDATION CONCRETE	
4000 PSI MINIMUM	
LOCATION	QTY (CU. YDS)
PIERS AS SHOWN	20
APPROACHES	12
FLOOR AT 2" THICK	4.5
TOTAL CONCRETE	36.5 CU. YDS.

FOUNDATION REINFORCING SCHEDULE				
ASTM 615 - GRADE 60				
MARK	QTY	SIZE	LENGTH	WEIGHT (LBS)
HR1	144	#4	14'-6"	1395
HR2	120	#4	5'-6"	441
HR3	30	#4	9'-6"	190
VR1	60	#4	2'-9"	110
TOTAL WEIGHT				2136

REINFORCING STEEL NOTES:
 1. REINFORCING STEEL SHALL BE FREE OF ALL MUD, DEBRIS, CEMENT GROUT, LOOSE RUST, GREASE, AND OIL.
 2. TACK WELDING OF BARS IS PROHIBITED.



SECTION A-A END WALL/BUMPS



ANCHOR DETAIL

THIS DRAWING IS SUPPLIED AS CHECKED BELOW:
 REFERENCE (ESTIMATES ONLY, NOT FOR CONSTRUCTION)
 CERTIFIED FOR CONSTRUCTION, THURMAN SERIAL#
 CUSTOMER: _____ DATE: _____
 CUSTOMER APPROVAL, RETURN ONE COPY.
 (ORDER ON HOLD UNTIL SIGNED COPY IS RETURNED)
 APPROVED AS DRAWING, APPROVED BY: _____ DATE: _____
 APPROVED AS NOTED, APPROVED BY: _____ DATE: _____

REVISIONS			
REV	BY	DATE	DESCRIPTION
4	JCR	12/4/2015	REVISED DIMENSIONS TO START FROM \bar{C} IN PLAN VIEW
3	JCR	2/1/2012	REVISED APPROACH NOTE: ADDED EXTRA HOLES FOR LOAD CELL CABLES
2	JCR	9/21/2011	MOVED BASE MODULE TO CENTER OF SCALE
1	BAL	7/29/2010	CORRECTED WIDTH

THE INFORMATION CONTAINED HEREIN AND IN ANY OTHER DRAWINGS ARE AS FOLLOWS: UNLESS OTHERWISE SPECIFIED, DIMENSIONS ARE AS FOLLOWS: FRACTIONS 1/8" & 1/16" DECIMALS .0005 3-PLACE DECIMALS .0005 2-PLACE DECIMALS .0050 HOLE DIAMETERS .0150 THURMAN SCALE ASSUMES NO RESPONSIBILITY FOR ERRORS TO THIS DOCUMENT AFTER PROOFING, TRANSMISSION.	8560 D'BACK XD 130K CLC 70' X 14' FOUNDATION (4 SECTION, DB LC)	
SCALE: NTS DRAWING NO: _____ SHEET: 1 OF 1 DRAWING NUMBER: 92442-FT	DATE: 06/23/08 APPROVED: _____ REV: _____	MODEL: 8560 XD