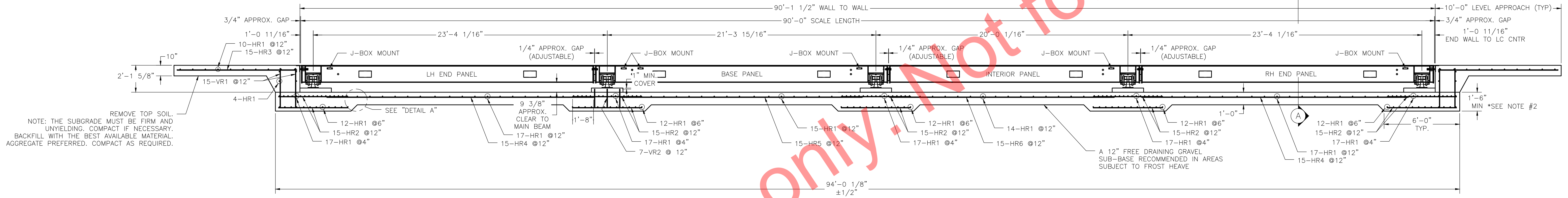


N.I.S.T. H-44 REQUIRES THAT ON THE APPROACH ENDS OF THIS VEHICLE SCALE, THERE SHALL BE A STRAIGHT APPROACH AT LEAST HALF THE LENGTH OF THE PLATFORM, BUT NOT REQUIRED TO BE MORE THAN 40 FEET. NOT LESS THAN 10 FEET OF ANY APPROACH ADJACENT TO THE PLATFORM SHALL BE LEVEL AND CONSTRUCTED OF CONCRETE OR SIMILAR DURABLE MATERIAL. ANY SLOPE IN THE REMAINING PORTION OF THE APPROACH SHALL ENSURE EASE OF VEHICLE ACCESS, EASE FOR TESTING PURPOSES, AND DRAINAGE AWAY FROM THE SCALE.

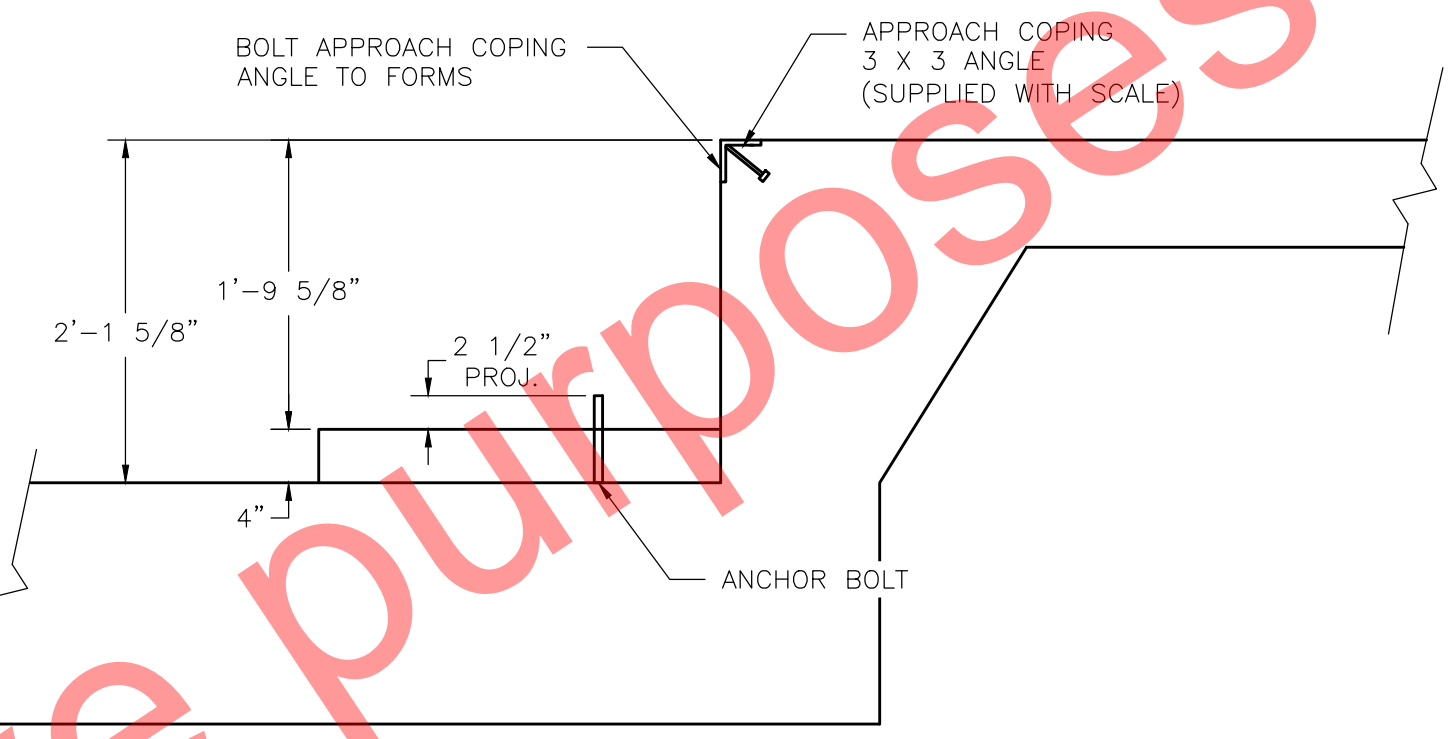


REMOVE TOP SOIL. NOTE: THE SUBGRADE MUST BE FIRM AND UNYIELDING. COMPACT IF NECESSARY. BACKFILL WITH THE BEST AVAILABLE MATERIAL. AGGREGATE PREFERRED. COMPACT AS REQUIRED.

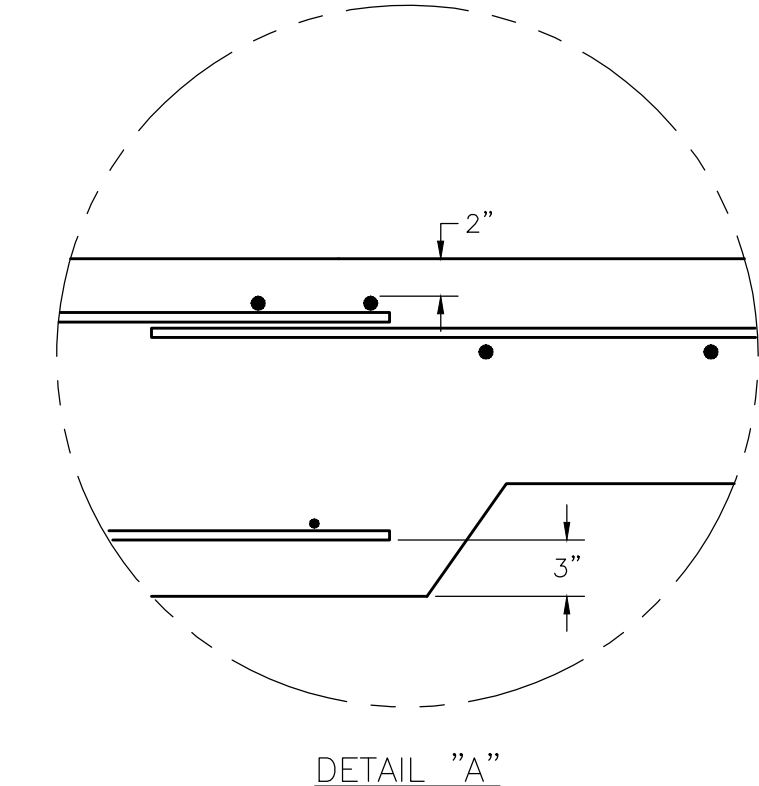
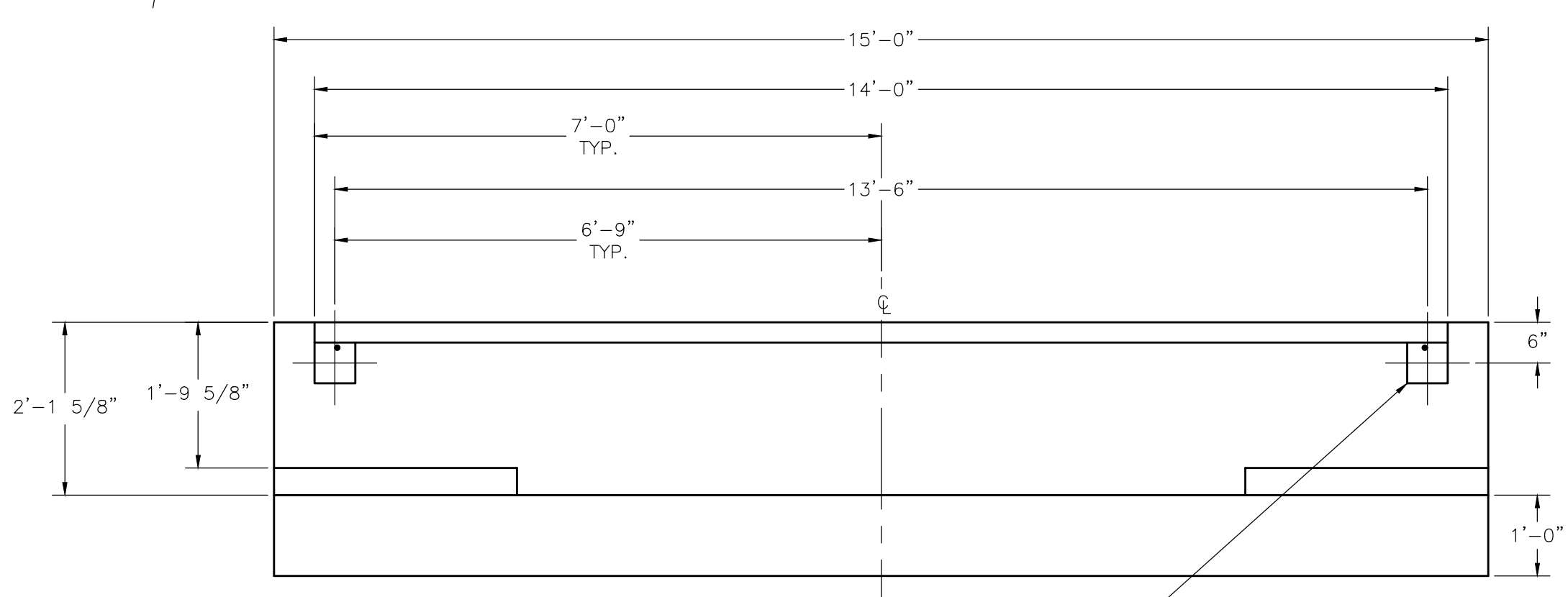
FOUNDATION CONCRETE	
4000 PSI MINIMUM	
LOCATION	QTY (CU. YDS)
SCALE SLAB	61.5
APPROACHES	12
4" RISER PIERS	1
<b>TOTAL CONCRETE</b>	<b>74.5 CU. YDS.</b>

FOUNDATION REINFORCING SCHEDULE					
ASTM 615 - GRADE 60					
MARK	QTY	SIZE	LENGTH	WEIGHT (LBS)	REMARKS
HR1	236	#4	14'-6"	2,286	LATERAL IN MULTIPLE LOCATIONS
HR2	150	#4	5'-6"	552	LONGITUDINAL TOP & BTM FACE UNDER SECTIONS (15/EA)
HR3	30	#4	9'-6"	191	LONGITUDINAL IN APPROACH (15/EA)
HR4	30	#4	21'-2"	425	LONGITUDINAL IN SLAB BETWEEN SECTIONS (15/EA)
HR5	15	#4	19'-2"	192	LONGITUDINAL IN SLAB BETWEEN SECTIONS 2 & 3
HR6	15	#4	17'-10"	179	LONGITUDINAL IN SLAB BETWEEN SECTIONS 3 & 4
VR1	60	#4	3'-3"	131	VERTICAL IN END WALL
VR2	70	#4	1'-6"	71	VERTICAL IN PIERS (7/EA)
<b>TOTAL WEIGHT</b>				<b>4,027</b>	

REINFORCING STEEL NOTES:  
 1. REINFORCING STEEL SHALL BE FREE OF ALL MUD, DEBRIS, CEMENT GROUT, LOOSE RUST, GREASE, AND OIL.  
 2. TACK WELDING OF BARS IS PROHIBITED.



DRILL TYPE ANCHOR INFORMATION (DRILL TYPE ANCHORS PROVIDED WITH THE SCALE)  
 FOR THE LC STANDS (20 REQUIRED)  
 5/8 DIA X 6" STUD TYPE ANCHORS  
 DRILL DIA 5/8", DRILL DEPTH 3 1/2"



- NOTES:
- FOUNDATION SHOWN IS DESIGNED FOR SOILS WITH A MINIMUM BEARING CAPACITY OF 2000 PSF AND ADEQUATE DRAINAGE. IF SOIL CONDITIONS DO NOT MEET THESE REQUIREMENTS, ADJUST FOUNDATION OR SOIL CONDITIONS AS REQUIRED.
  - IN AREAS OF THE COUNTRY WHERE THERE IS SEVERE FREEZING, INCREASE THE DEPTH OF THE FOUNDATION SO THAT THE BOTTOM EXTENDS BELOW THE FROST LINE, OR PROVIDE A MINIMUM OF 12" FREE DRAINING GRANULAR MATERIAL TO PREVENT FROST HEAVE.
  - N.I.S.T. H-44 REQUIREMENTS AND LOCAL WEIGHTS AND MEASURES REGULATIONS MAY REQUIRE INSTALLATION PARAMETERS SOMEWHAT DIFFERENT THAN ILLUSTRATED ON THIS PLAN. IN ORDER TO INSURE COMPLIANCE, CONSULT THE LOCAL WEIGHTS & MEASURES OFFICE PRIOR TO CONSTRUCTION.
  - REFER TO SCALE MANUAL FOR INSTALLATION AND OPERATION INSTRUCTIONS.
  - A MINIMUM OF 24" OF CLEARANCE IS REQUIRED ON JUNCTION BOX SIDE OF THE SCALE NEAR THE BOX MOUNTS.

THIS DRAWING IS SUPPLIED AS CHECKED BELOW:  
 REFERENCE (ESTIMATES ONLY, NOT FOR CONSTRUCTION)  
 CERTIFIED FOR CONSTRUCTION, THURMAN SERIAL#  
 CUSTOMER: \_\_\_\_\_ DATE: \_\_\_\_\_  
 CUSTOMER APPROVAL, RETURN ONE COPY.  
 (ORDER ON HOLD UNTIL SIGNED COPY IS RETURNED)  
 APPROVED AS DRAWN, APPROVED BY: \_\_\_\_\_ DATE: \_\_\_\_\_  
 APPROVED AS NOTED, APPROVED BY: \_\_\_\_\_ DATE: \_\_\_\_\_

UNLESS OTHERWISE SPECIFIED, DIMENSIONS ARE AS FOLLOWS:  
 FRACTIONS 1/8" & 1/16"  
 DECIMALS .0005  
 2-PLACE DECIMAL .0100  
 3-PLACE DECIMAL .0005  
 HOLE DIAMETERS .0150  
 HOLE DIAMETERS .0150

8560 DIAMONDBACK XD  
 90" X 14' (4M/5S)  
 FULL SLAB FOUNDATION  
 4" RISER PIERS

THURMAN SCALE  
 SCALE: NTS DRAWN: LDC CHECKED: \_\_\_\_\_  
 SHEET: 1 OF 1 DATE: 10/3/18 APPROVED: \_\_\_\_\_  
 DRAWING NUMBER: 167456-SL-RP4 REV: 0