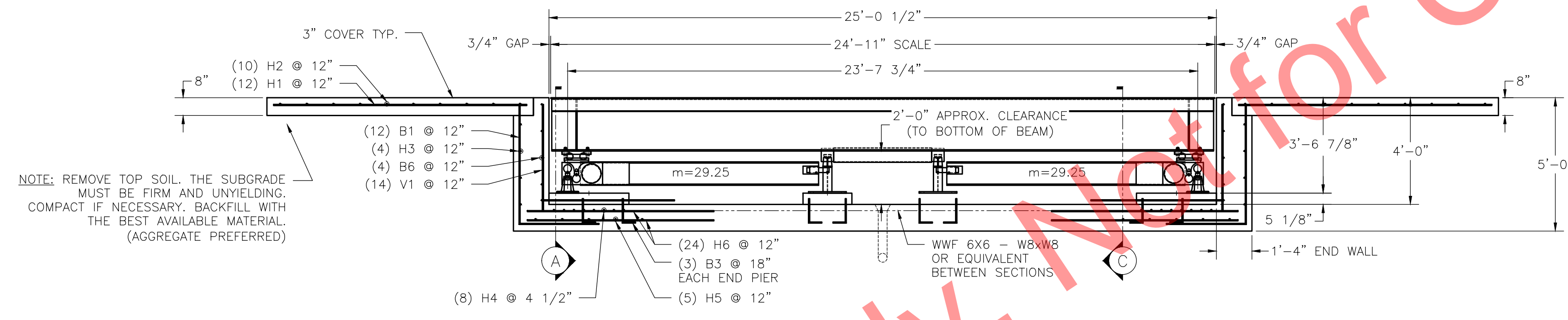
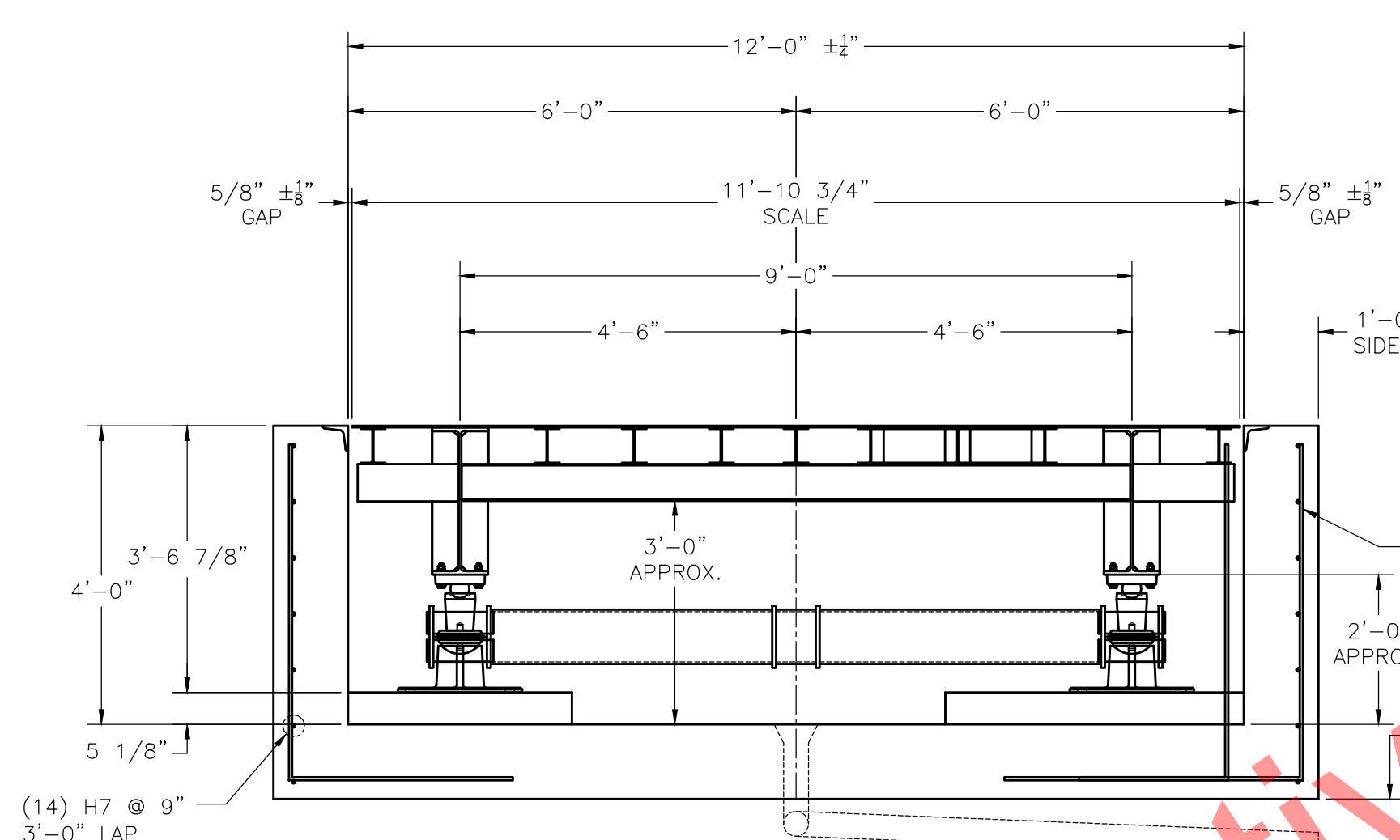


N.I.S.T. H-44 REQUIRES THAT ON THE APPROACH ENDS OF THIS VEHICLE SCALE, THERE SHALL BE A STRAIGHT APPROACH AT LEAST HALF THE LENGTH OF THE PLATFORM BUT NOT REQUIRED TO BE MORE THAN 40 FEET. NOT LESS THAN 10 FEET OF ANY APPROACH ADJACENT TO THE PLATFORM SHALL BE LEVEL AND CONSTRUCTED OF CONCRETE OR SIMILAR DURABLE MATERIAL. ANY SLOPE IN THE REMAINING PORTION OF THE APPROACH SHALL INSURE EASE OF VEHICLE ACCESS, EASE FOR TESTING PURPOSES, AND DRAINAGE AWAY FROM THE SCALE.

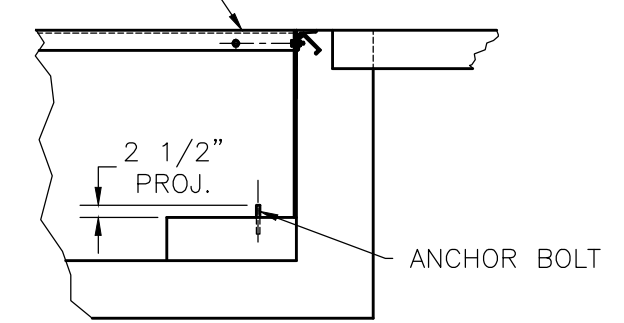
NOTE: PROVIDE MEANS FOR ADEQUATE DRAINAGE OF THE PIT. CONNECT DRAIN TO GRAVITY DRAIN, STORM SEWER OR SLUMP PUMP TO INSURE THAT STANDING WATER CANNOT ACCUMULATE IN PIT.



NOTE: REMOVE TOP SOIL. THE SUBGRADE MUST BE FIRM AND UNYIELDING. COMPACT IF NECESSARY. BACKFILL WITH THE BEST AVAILABLE MATERIAL. (AGGREGATE PREFERRED)



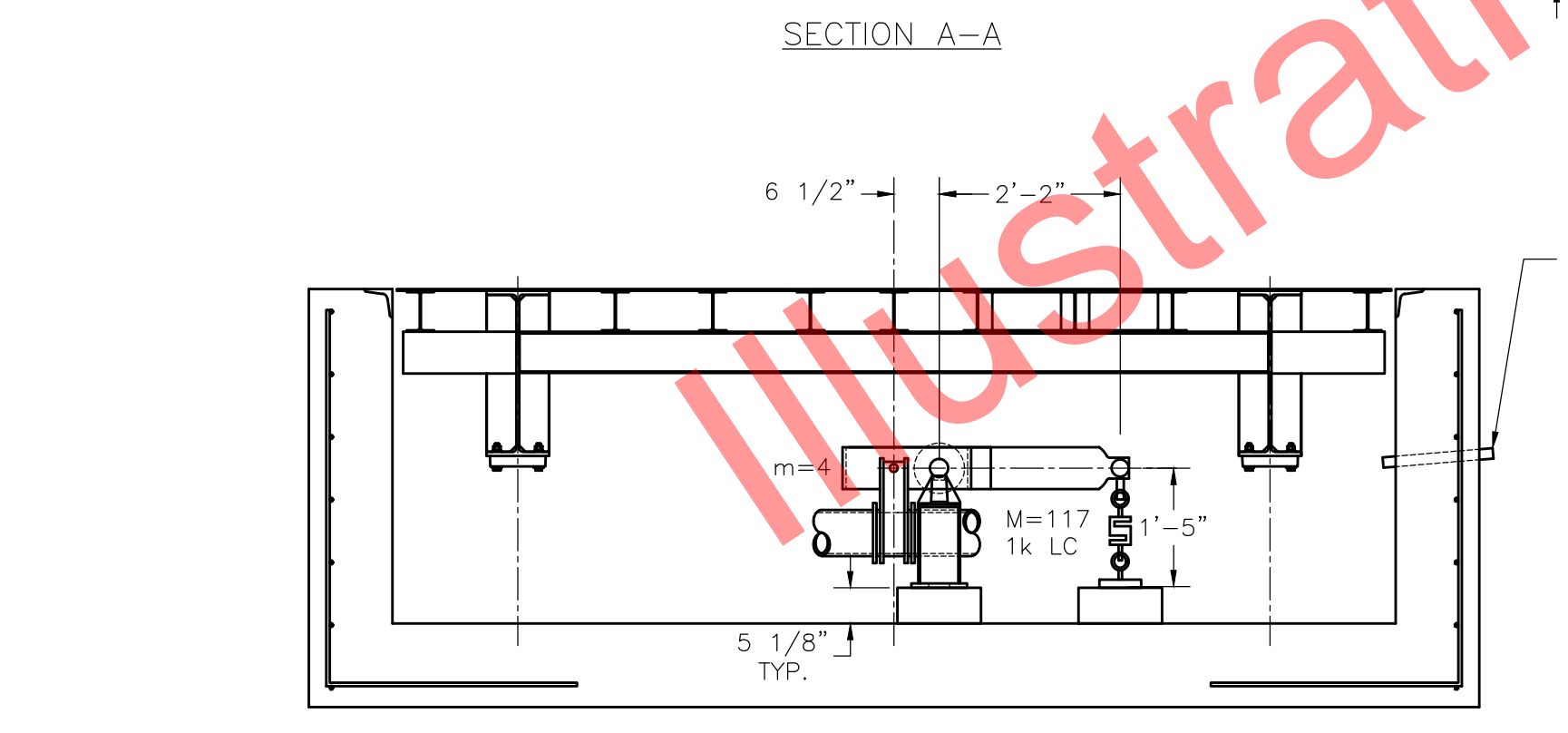
BOLT PIT CORING TO FORMS: REMOVE BOLTS WHILE CONCRETE IS GREEN. WELD JOINTS OF PIT CORING TO REDUCE MINOR CRACKING OF WALLS.



SECTION B-B

DRILLED TYPE ANCHOR INFORMATION

5/8 X 6" STUD TYPE ANCHORS
 DRILL DIA. 5/8"
 DRILL DEPTH 3 1/2"
 (DRILL TYPE ANCHORS ARE PROVIDED WITH THE SCALE)



SECTION C-C

FOUNDATION CONCRETE
 4000 PSI MINIMUM

LOCATION	QTY (CU. YDS)
PIERS	1
FLOOR	14.5
WALLS	13.0
APPROACHES	6.0
TOTAL CONCRETE	34.5

FOUNDATION REINFORCING SCHEDULE
 ASTM 615 - GRADE 60

MARK	QTY	SIZE	LENGTH	A	B	C	WEIGHT (LBS)	REMARKS
H1	24	#4	9'-6"				153	APPROACH - LONG.
H2	20	#4	11'-6"				154	APPROACH - LAT.
H3	8	#4	13'-6"				73	END WALL, O.F. - LAT.
H4	16	#6	13'-6"				325	PIT FLOOR, TOP, SECTION - LAT.
H5	10	#4	13'-6"				91	PIT FLOOR, BOTTOM, SECTION - LAT.
H6	48	#4	7'-0"				225	PIT FLOOR, SECTION - LONG.
H7	28	#4	14'-6"				272	SIDE WALLS - LONG.
V1	28	#4	4'-0"				75	END WALL, I.F. - VERTICAL
B1	24	#4	7'-6"	4'-6"	3'-0"		121	END WALL, O.F. - VERTICAL
B2	68	#4	7'-6"	4'-6"	3'-0"		341	SIDE WALL - VERTICAL
B3	18	#4	2'-0"	1'-6"	0'-6"		25	PIERS - VERTICAL
B4	0	#4	12'-6"	2'-6"	3'-0"	2'-0"	0	INT. PIER / SIDE WALL
B5	4	#4	10'-0"	3'-0"	3'-0"	2'-0"	27	END PIER / SIDE WALL / END WALL
B6	8	#4	22'-0"	12'-8"	4'-8"		118	END WALL, I.F.
TOTAL WEIGHT							2000	
PLUS APPROX. 175 SQFT. OF WWF 6X6 - W8X8								

- NOTES:
- FOUNDATION DESIGN IS BASED ON A MINIMUM SOIL BEARING CAPACITY OF 1500 LB/SQ. FT. FOR SOIL CONDITIONS WHICH DO NOT MEET THIS SPECIFICATION, CONSULT WITH THE THURMAN SCALE COMPANY.
 - PIT FLOOR MUST HAVE AN EFFECTIVE DRAIN SYSTEM SO THAT THE PIT FLOOR REMAINS REASONABLY DRY AND CLEAN.
 - THE TOPS OF THE PIT WALLS MUST BE ABOVE THE EXISTING GRADE LEVEL SO THAT WATER WILL DRAIN AWAY FROM THE SCALE.
 - IN AREAS OF THE COUNTRY WHERE THERE IS SEVERE FREEZING, INCREASE THE DEPTH OF THE FOUNDATION SO THAT THE BOTTOM EXTENDS BELOW THE FROST LINE, OR PROVIDE A MINIMUM OF 12" FREE DRAINING GRANULAR MATERIAL TO PREVENT FROST HEAVE.
 - REINFORCING STEEL IS TO CONFORM TO ASTM A615 GRADE 60 SPECIFICATIONS.
 - CONCRETE OF 4000 PSI MIN. COMPRESSIVE STRENGTH WITH AIR ENTRAINMENT 5-7% IS REQUIRED FOR PIT. CONSOLIDATE CONCRETE INTO POSITION BY VIBRATING.
 - PIERS MUST BE LEVEL AND IN THE SAME PLANE WITHIN ±1/8 INCH.
 - EXCAVATION, FORMS, REINFORCING STEEL, AND CONCRETE FURNISHED BY OTHERS.
 - DRILL TYPE ANCHOR BOLTS ARE RECOMMENDED. SEE SECTION B-B.
 - FOUNDATION REQUIREMENTS VARY FROM STATE TO STATE. CHECK WITH LOCAL WEIGHTS AND MEASURES DIVISION BEFORE CONSTRUCTION.

THIS DRAWING IS SUPPLIED AS CHECKED BELOW:

REFERENCE (ESTIMATES ONLY, NOT FOR CONSTRUCTION)

CERTIFIED FOR CONSTRUCTION, THURMAN SERIAL#

CUSTOMER: _____ DATE: _____

CUSTOMER APPROVAL, RETURN ONE COPY.

(ORDER ON HOLD UNTIL SIGNED COPY IS RETURNED)

APPROVED AS DRAWN, APPROVED BY: _____ DATE: _____

APPROVED AS NOTED, APPROVED BY: _____ DATE: _____

UNLESS OTHERWISE SPECIFIED, DIMENSIONS IN INCHES, AND TOLERANCES ARE AS FOLLOWS:
 FRACTIONS 1/8"
 ANGLES DECIMAL .015"
 2-PLACE DECIMAL .015"
 HOLE DIAMETERS +1/32"

8120E 90K CLC
 25'x12' FOUNDATION DRAWING
 4' DEEP PIT (2 SECTIONS)
 M=117

THURMAN SCALE

SCALE: VARIES
 SHEET: 1 OF 1
 DATE: 09/29/20
 DRAWING NUMBER: 92649-DP4