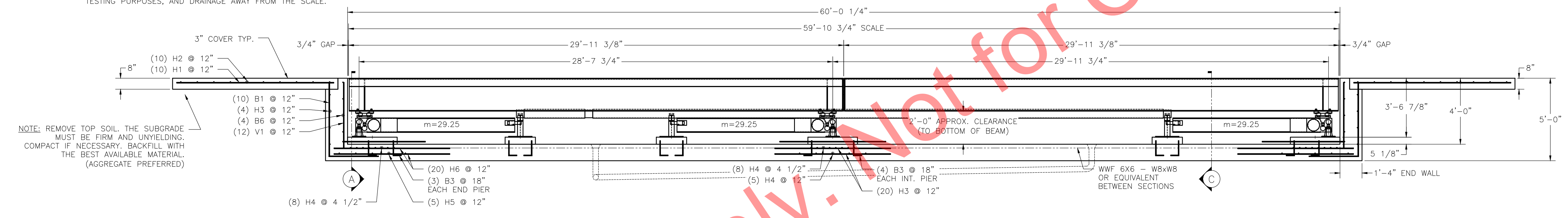
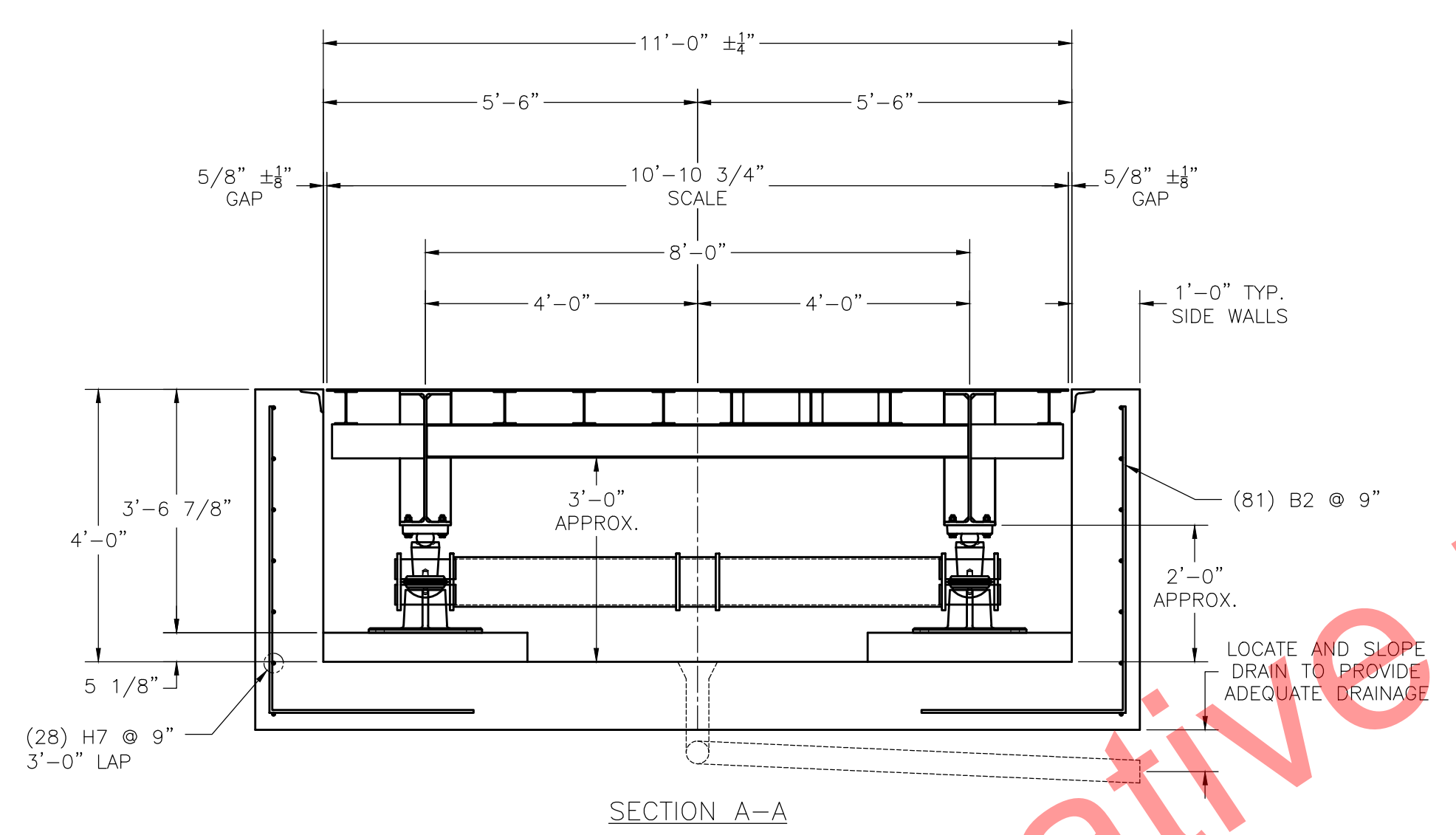


N.I.S.T. H-44 REQUIRES THAT ON THE APPROACH ENDS OF THIS VEHICLE SCALE, THERE SHALL BE A STRAIGHT APPROACH AT LEAST HALF THE LENGTH OF THE PLATFORM BUT NOT REQUIRED TO BE MORE THAN 40 FEET. NOT LESS THAN 10 FEET OF ANY APPROACH ADJACENT TO THE PLATFORM SHALL BE LEVEL AND CONSTRUCTED OF CONCRETE OR SIMILAR DURABLE MATERIAL. ANY SLOPE IN THE REMAINING PORTION OF THE APPROACH SHALL INSURE EASE OF VEHICLE ACCESS, EASE FOR TESTING PURPOSES, AND DRAINAGE AWAY FROM THE SCALE.

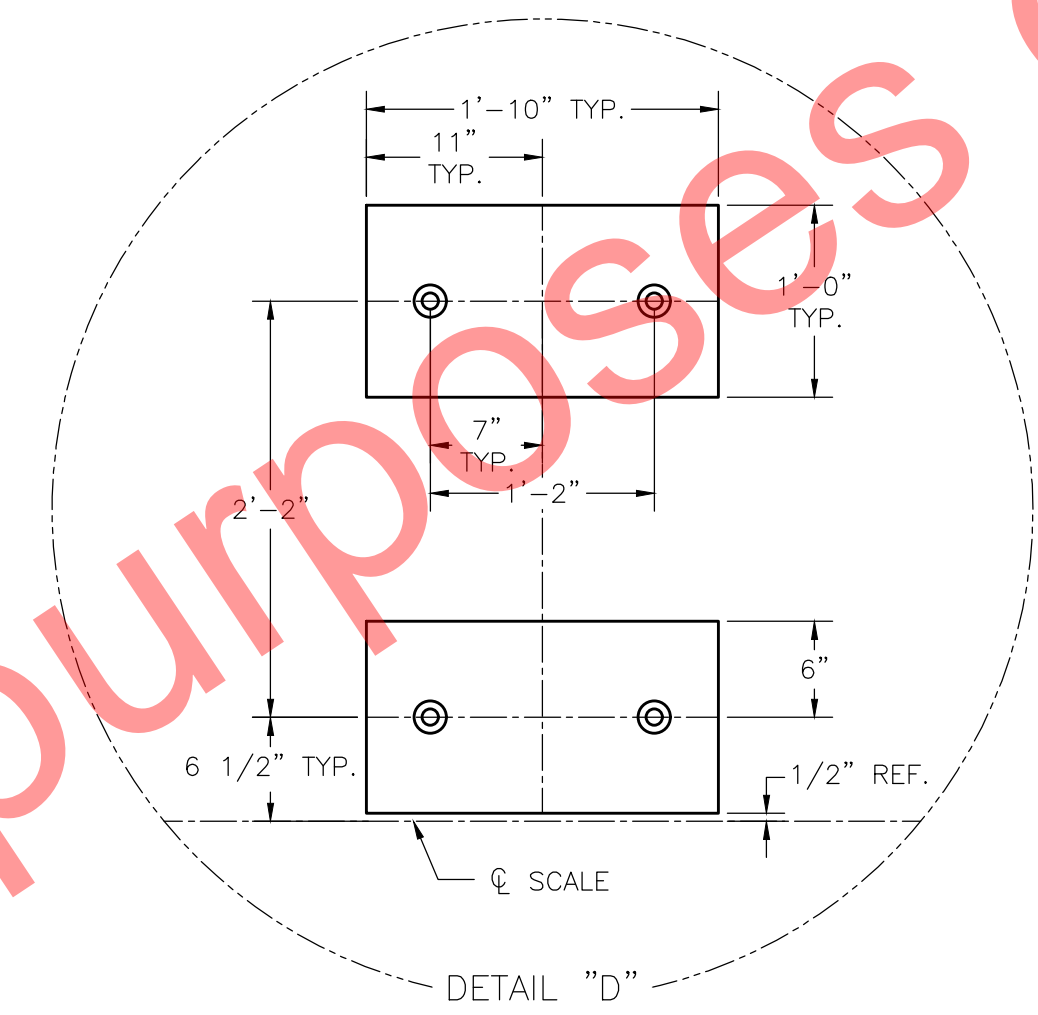
NOTE: PROVIDE MEANS FOR ADEQUATE DRAINAGE OF THE PIT. CONNECT DRAIN TO GRAVITY DRAIN, STORM SEWER OR SUMP PUMP TO INSURE THAT STANDING WATER CANNOT ACCUMULATE IN PIT.



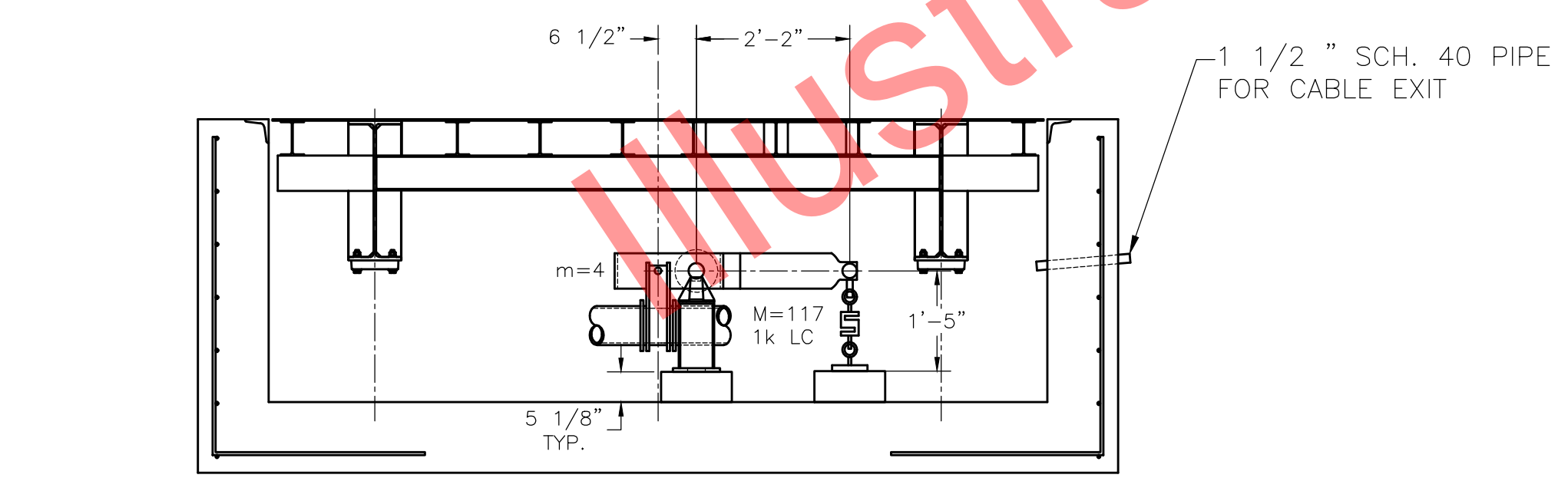
NOTE: REMOVE TOP SOIL. THE SUBGRADE MUST BE FIRM AND UNYIELDING. COMPACT IF NECESSARY. BACKFILL WITH THE BEST AVAILABLE MATERIAL (AGGREGATE PREFERRED)



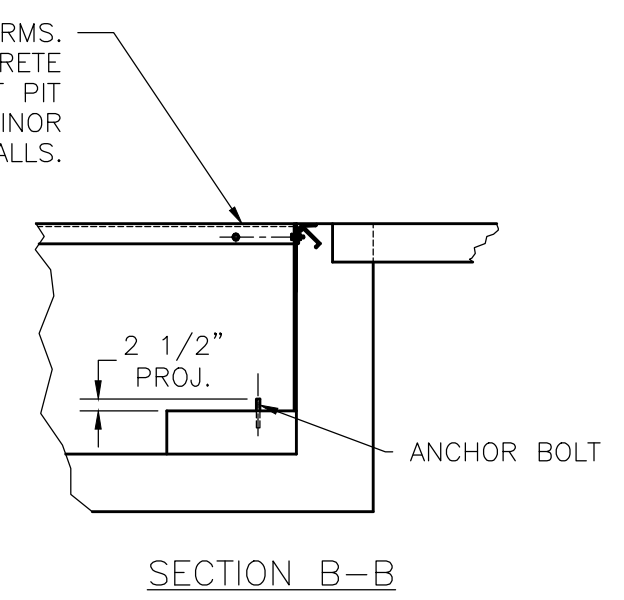
SECTION A-A



DETAIL "D"



SECTION C-C



SECTION B-B

DRILLED TYPE ANCHOR INFORMATION
 5/8 x 6" STUD TYPE ANCHORS
 DRILL DIA. 5/8"
 DRILL DEPTH 3 1/2"
 (DRILL TYPE ANCHORS ARE PROVIDED WITH THE SCALE)

| FOUNDATION CONCRETE | |
|-----------------------|---------------|
| 4000 PSI MINIMUM | |
| LOCATION | QTY (CU. YDS) |
| PIERS | 1 |
| FLOOR | 28 |
| WALLS | 22.5 |
| APPROACHES | 5 |
| TOTAL CONCRETE | 56.5 |

- NOTES:
- FOUNDATION DESIGN IS BASED ON A MINIMUM SOIL BEARING CAPACITY OF 1500 LB/SQ. FT. FOR SOIL CONDITIONS WHICH DO NOT MEET THIS SPECIFICATION, CONSULT WITH THE THURMAN SCALE COMPANY.
 - PIT FLOOR MUST HAVE AN EFFECTIVE DRAIN SYSTEM SO THAT THE PIT FLOOR REMAINS REASONABLY DRY AND CLEAN.
 - THE TOPS OF THE PIT WALLS MUST BE ABOVE THE EXISTING GRADE LEVEL SO THAT WATER WILL DRAIN AWAY FROM THE SCALE.
 - IN AREAS OF THE COUNTRY WHERE THERE IS SEVERE FREEZING, INCREASE THE DEPTH OF THE FOUNDATION SO THAT THE BOTTOM EXTENDS BELOW THE FROST LINE, OR PROVIDE A MINIMUM OF 12" FREE DRAINING GRANULAR MATERIAL TO PREVENT FROST HEAVE.
 - REINFORCING STEEL IS TO CONFORM TO ASTM A615 GRADE 60 SPECIFICATIONS.
 - CONCRETE OF 4000 PSI MIN. COMPRESSIVE STRENGTH WITH AIR ENTRAINMENT 5-7% IS REQUIRED FOR PIT. CONSOLIDATE CONCRETE INTO POSITION BY VIBRATING.
 - PIERS MUST BE LEVEL AND IN THE SAME PLANE WITHIN ±1/8 INCH.
 - EXCAVATION, FORMS, REINFORCING STEEL, AND CONCRETE FURNISHED BY OTHERS.
 - DRILL TYPE ANCHOR BOLTS ARE RECOMMENDED. SEE SECTION B-B.
 - FOUNDATION REQUIREMENTS VARY FROM STATE TO STATE. CHECK WITH LOCAL WEIGHTS AND MEASURES DIVISION BEFORE CONSTRUCTION.

| FOUNDATION REINFORCING SCHEDULE | | | | | | | | | |
|---|-----|----------|--------|----------|-------|----------|--------------|-----------------------------------|--|
| ASTM 615 - GRADE 60 | | | | | | | | | |
| REBAR B1, B2, B3 | | REBAR B4 | | REBAR B5 | | REBAR B6 | | | |
| MARK | QTY | SIZE | LENGTH | A | B | C | WEIGHT (LBS) | REMARKS | |
| H1 | 22 | #4 | 9'-6" | | | | 140 | APPROACH - LONG. | |
| H2 | 20 | #4 | 10'-6" | | | | 141 | APPROACH - LAT. | |
| H3 | 8 | #4 | 12'-6" | | | | 67 | END WALL, O.F. - LAT. | |
| H4 | 24 | #6 | 12'-6" | | | | 451 | PIT FLOOR, TOP, SECTION - LAT. | |
| H5 | 15 | #4 | 12'-6" | | | | 126 | PIT FLOOR, BOTTOM, SECTION - LAT. | |
| H6 | 66 | #4 | 7'-0" | | | | 309 | PIT FLOOR, SECTION - LONG. | |
| H7 | 56 | #4 | 17'-6" | | | | 655 | SIDE WALLS - LONG. | |
| V1 | 26 | #4 | 4'-0" | | | | 70 | END WALL, I.F. - VERTICAL | |
| B1 | 22 | #4 | 7'-6" | 4'-6" | 3'-0" | | 111 | END WALL, O.F. - VERTICAL | |
| B2 | 162 | #4 | 7'-6" | 4'-6" | 3'-0" | | 812 | SIDE WALL - VERTICAL | |
| B3 | 28 | #4 | 2'-0" | 1'-6" | 0'-6" | | 38 | PIER - VERTICAL | |
| B4 | 2 | #4 | 12'-6" | 2'-6" | 3'-0" | 2'-0" | 17 | INT. PIER / SIDE WALL | |
| B5 | 4 | #4 | 10'-0" | 3'-0" | 3'-0" | 2'-0" | 27 | END PIER / SIDE WALL / END WALL | |
| B6 | 8 | #4 | 21'-0" | 11'-8" | 4'-8" | | 113 | END WALL, I.F. | |
| TOTAL WEIGHT | | | | | | | 3077 | | |
| PLUS APPROX. 450 SQFT. OF WWF 6X6 - W8XW8 | | | | | | | | | |

THIS DRAWING IS SUPPLIED AS CHECKED BELOW:
 REFERENCE (ESTIMATES ONLY, NOT FOR CONSTRUCTION)
 CERTIFIED FOR CONSTRUCTION, THURMAN SERIAL#
 CUSTOMER: _____ DATE: _____
 CUSTOMER P.O.# _____
 CUSTOMER APPROVAL, RETURN ONE COPY.
 (ORDER ON HOLD UNTIL SIGNED COPY IS RETURNED)
 APPROVED AS DRAWN, APPROVED BY: _____ DATE: _____
 APPROVED AS NOTED, APPROVED BY: _____ DATE: _____

8120E 90K CLC
 60'x11' FOUNDATION DRAWING
 4' DEEP PIT (3 SECTIONS)
 M=117

THURMAN SCALE
 SCALE: VARIOUS
 SHEET: 1 OF 1
 DATE: 9/11/2020
 DRAWING: _____
 CHECKED: _____
 APPROVED: _____
 DRAWING NUMBER: 92645-DP4