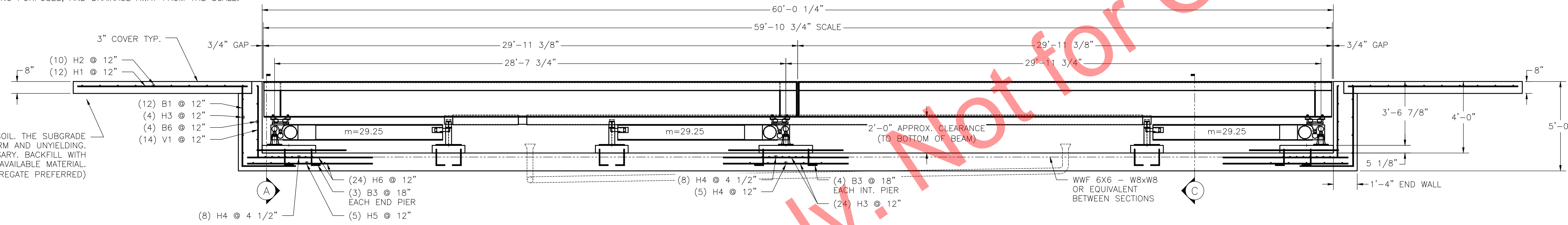
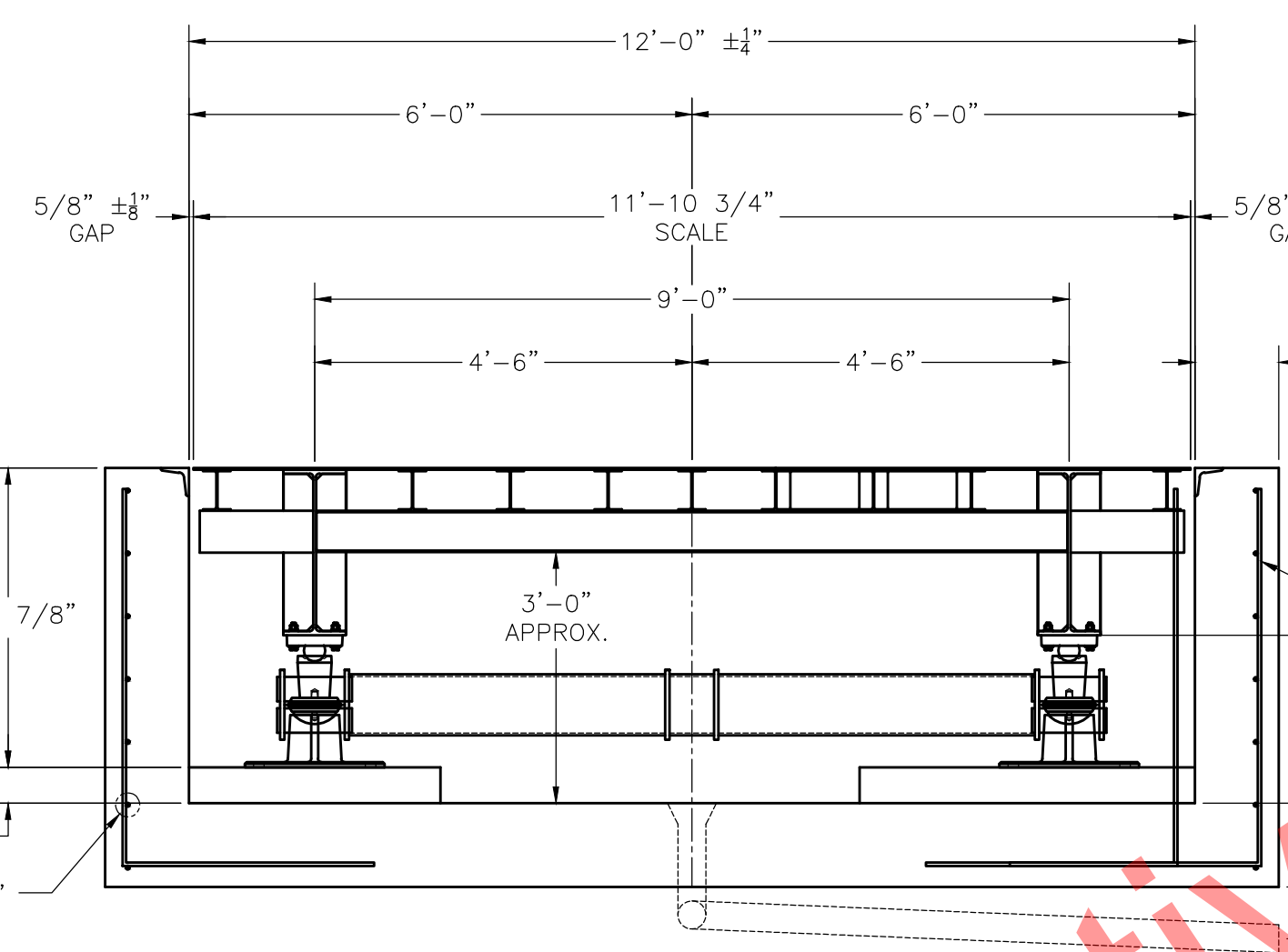


N.I.S.T. H-44 REQUIRES THAT ON THE APPROACH ENDS OF THIS VEHICLE SCALE, THERE SHALL BE A STRAIGHT APPROACH AT LEAST HALF THE LENGTH OF THE PLATFORM BUT NOT REQUIRED TO BE MORE THAN 40 FEET. NOT LESS THAN 10 FEET OF ANY APPROACH ADJACENT TO THE PLATFORM SHALL BE LEVEL AND CONSTRUCTED OF CONCRETE OR SIMILAR DURABLE MATERIAL. ANY SLOPE IN THE REMAINING PORTION OF THE APPROACH SHALL INSURE EASE OF VEHICLE ACCESS, EASE FOR TESTING PURPOSES, AND DRAINAGE AWAY FROM THE SCALE.

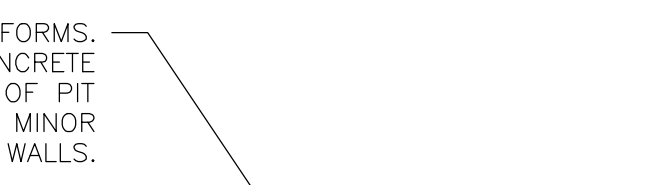
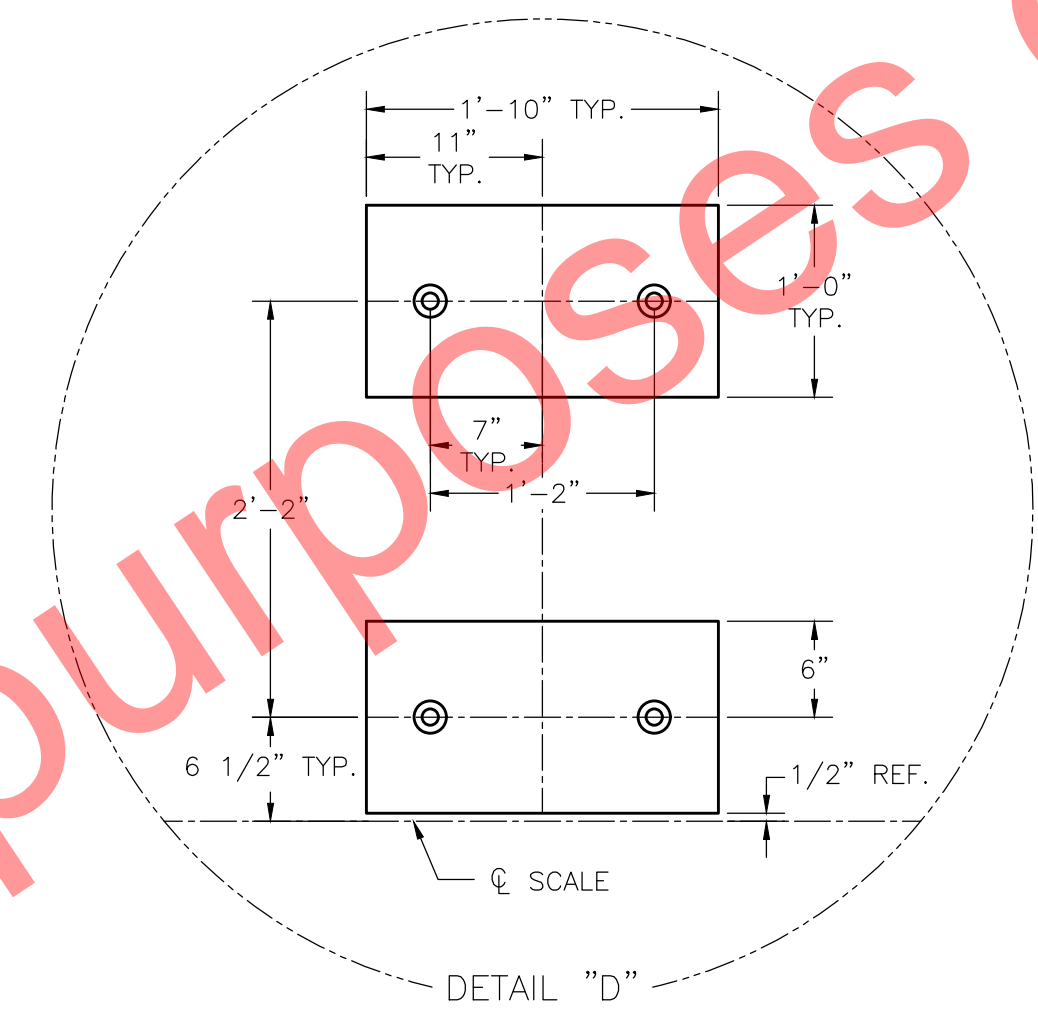
NOTE: PROVIDE MEANS FOR ADEQUATE DRAINAGE OF THE PIT. CONNECT DRAIN TO GRAVITY DRAIN, STORM SEWER OR SUMP PUMP TO INSURE THAT STANDING WATER CANNOT ACCUMULATE IN PIT.



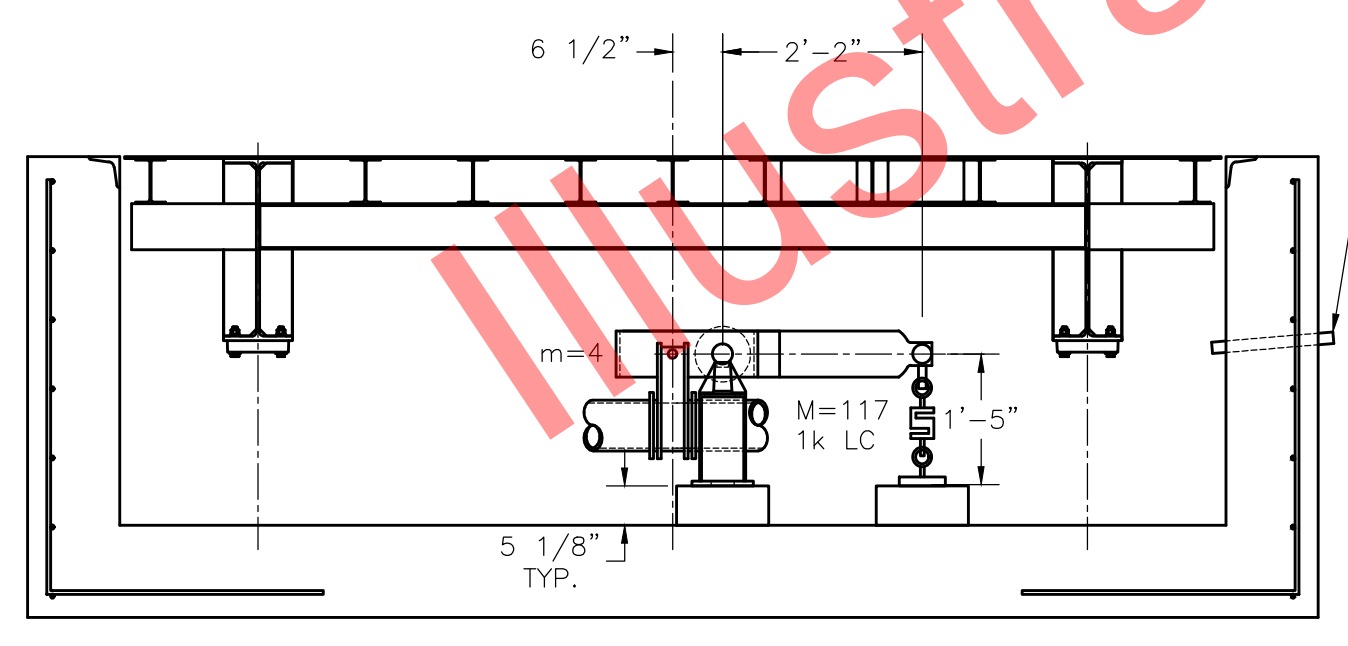
NOTE: REMOVE TOP SOIL. THE SUBGRADE MUST BE FIRM AND UNYIELDING. COMPACT IF NECESSARY. BACKFILL WITH THE BEST AVAILABLE MATERIAL. (AGGREGATE PREFERRED)



SECTION A-A



SECTION B-B



SECTION C-C

FOUNDATION CONCRETE	
4000 PSI MINIMUM	
LOCATION	QTY (CU. YDS)
PIERS	1
FLOOR	33.0
WALLS	23.5
APPROACHES	6.0
<b>TOTAL CONCRETE</b>	<b>63.5</b>

- NOTES:
- FOUNDATION DESIGN IS BASED ON A MINIMUM SOIL BEARING CAPACITY OF 1500 LB/SQ. FT. FOR SOIL CONDITIONS WHICH DO NOT MEET THIS SPECIFICATION, CONSULT WITH THE THURMAN SCALE COMPANY.
  - PIT FLOOR MUST HAVE AN EFFECTIVE DRAIN SYSTEM SO THAT THE PIT FLOOR REMAINS REASONABLY DRY AND CLEAN.
  - THE TOPS OF THE PIT WALLS MUST BE ABOVE THE EXISTING GRADE LEVEL SO THAT WATER WILL DRAIN AWAY FROM THE SCALE.
  - IN AREAS OF THE COUNTRY WHERE THERE IS SEVERE FREEZING, INCREASE THE DEPTH OF THE FOUNDATION SO THAT THE BOTTOM EXTENDS BELOW THE FROST LINE, OR PROVIDE A MINIMUM OF 12" FREE DRAINING GRANULAR MATERIAL TO PREVENT FROST HEAVE.
  - REINFORCING STEEL IS TO CONFORM TO ASTM A615 GRADE 60 SPECIFICATIONS.
  - CONCRETE OF 4000 PSI MIN. COMPRESSIVE STRENGTH WITH AIR ENTRAINMENT 5-7% IS REQUIRED FOR PIT. CONSOLIDATE CONCRETE INTO POSITION BY VIBRATING.
  - PIERS MUST BE LEVEL AND IN THE SAME PLANE WITHIN ±1/8 INCH.
  - EXCAVATION, FORMS, REINFORCING STEEL, AND CONCRETE FURNISHED BY OTHERS.
  - DRILL TYPE ANCHOR BOLTS ARE RECOMMENDED. SEE SECTION B-B.
  - FOUNDATION REQUIREMENTS VARY FROM STATE TO STATE. CHECK WITH LOCAL WEIGHTS AND MEASURES DIVISION BEFORE CONSTRUCTION.

FOUNDATION REINFORCING SCHEDULE									
ASTM 615 - GRADE 60									
REBAR B1, B2, B3		REBAR B4		REBAR B5		REBAR B6			
MARK	QTY	SIZE	LENGTH	A	B	C	WEIGHT (LBS)	REMARKS	
H1	24	#4	9'-6"				153	APPROACH - LONG.	
H2	20	#4	11'-6"				154	APPROACH - LAT.	
H3	8	#4	12'-6"				73	END WALL, O.F. - LAT.	
H4	24	#6	12'-6"				487	PIT FLOOR, TOP, SECTION - LAT.	
H5	15	#4	12'-6"				136	PIT FLOOR, BOTTOM, SECTION - LAT.	
H6	72	#4	7'-0"				337	PIT FLOOR, SECTION - LONG.	
H7	56	#4	17'-6"				655	SIDE WALLS - LONG.	
V1	28	#4	4'-0"				75	END WALL, I.F. - VERTICAL	
B1	24	#4	7'-6"	4'-6"	3'-0"		121	END WALL, O.F. - VERTICAL	
B2	162	#4	7'-6"	4'-6"	3'-0"		812	SIDE WALL - VERTICAL	
B3	28	#4	2'-0"	1'-6"	0'-6"		38	PIERS - VERTICAL	
B4	2	#4	12'-6"	2'-6"	3'-0"	2'-0"	17	INT. PIER / SIDE WALL	
B5	4	#4	10'-0"	3'-0"	3'-0"	2'-0"	27	END PIER / SIDE WALL / END WALL	
B6	8	#4	22'-0"	12'-8"	4'-8"		118	END WALL, I.F.	
<b>TOTAL WEIGHT</b>							<b>3203</b>		
PLUS APPROX. 500 SQFT. OF WWF 6X6 - W8XW8									

THIS DRAWING IS SUPPLIED AS CHECKED BELOW:

CUSTOMER: \_\_\_\_\_ DATE: \_\_\_\_\_

APPROVED AS DRAWN, APPROVED BY: \_\_\_\_\_ DATE: \_\_\_\_\_

APPROVED AS NOTED, APPROVED BY: \_\_\_\_\_ DATE: \_\_\_\_\_

8120E 90K CLC  
60"x12" FOUNDATION DRAWING  
4' DEEP PIT (3 SECTIONS)  
M=117

THURMAN SCALE  
SCALE: VARIOUS  
SHEET: 1 OF 1  
DATE: 9/11/2020  
DRAWING CHECKED: \_\_\_\_\_  
APPROVED: \_\_\_\_\_  
DRAWING NUMBER: 92652-DP4