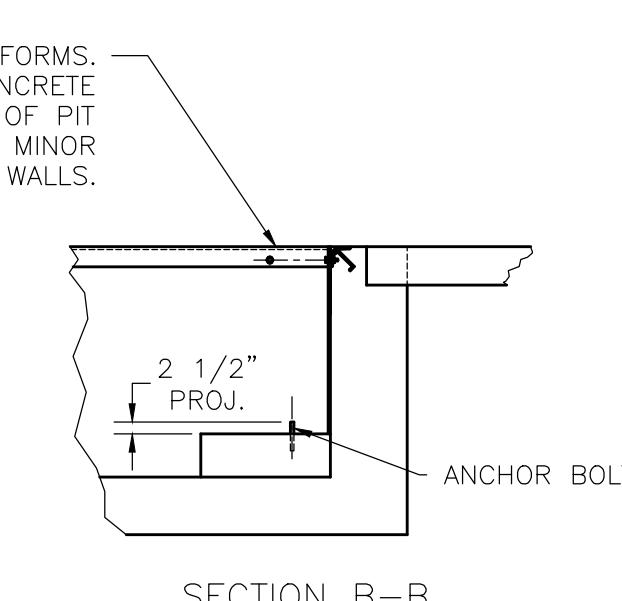
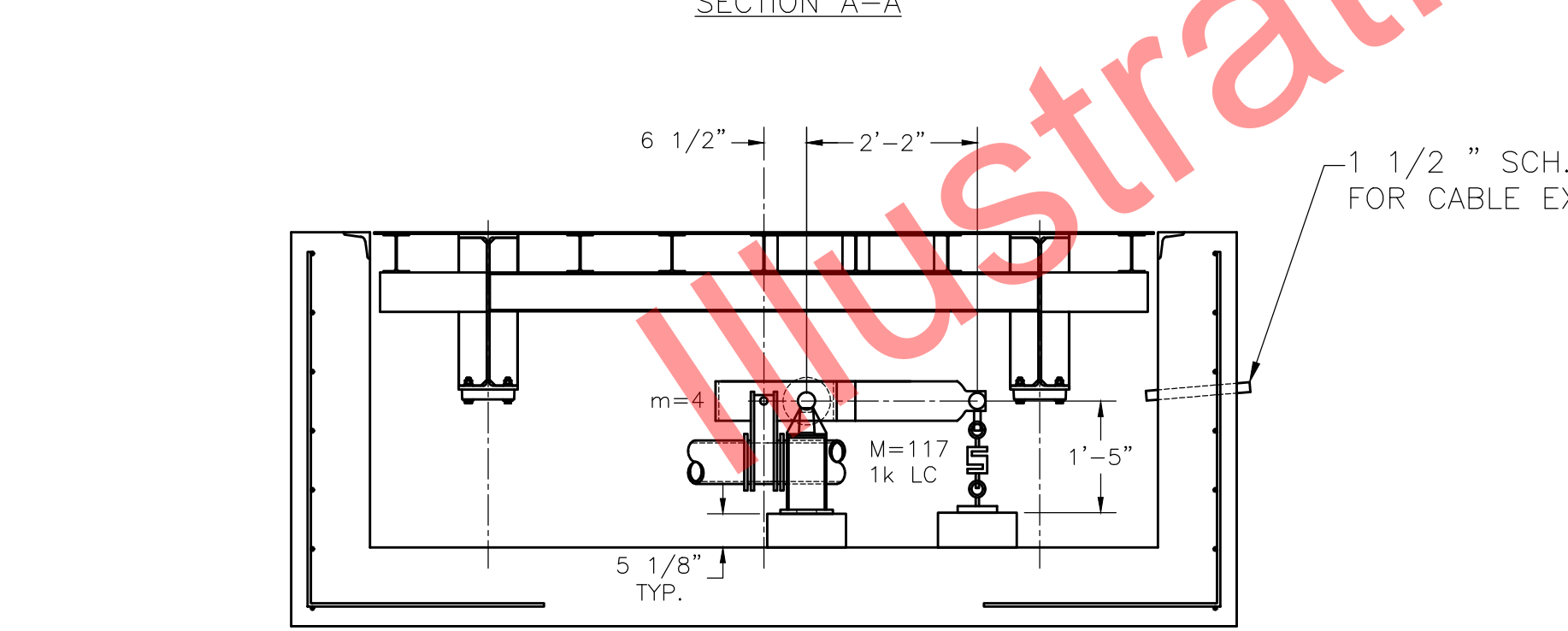
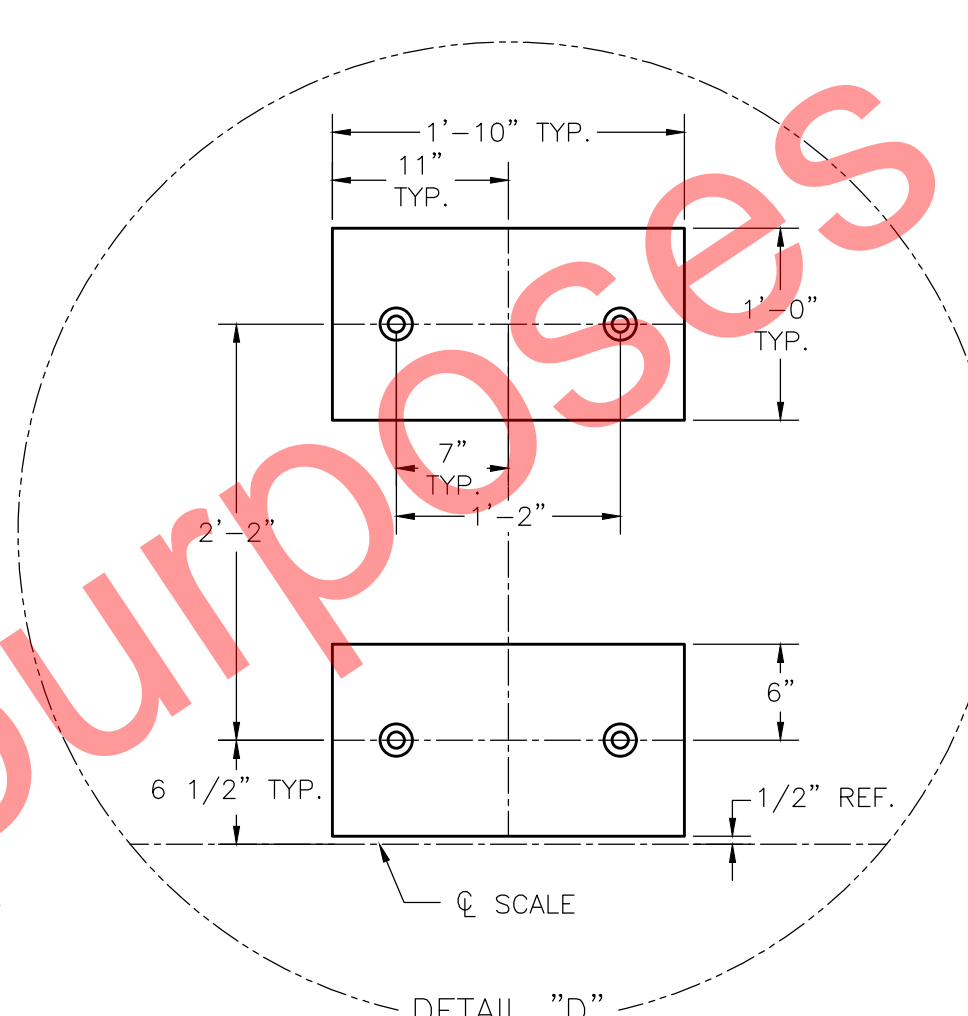
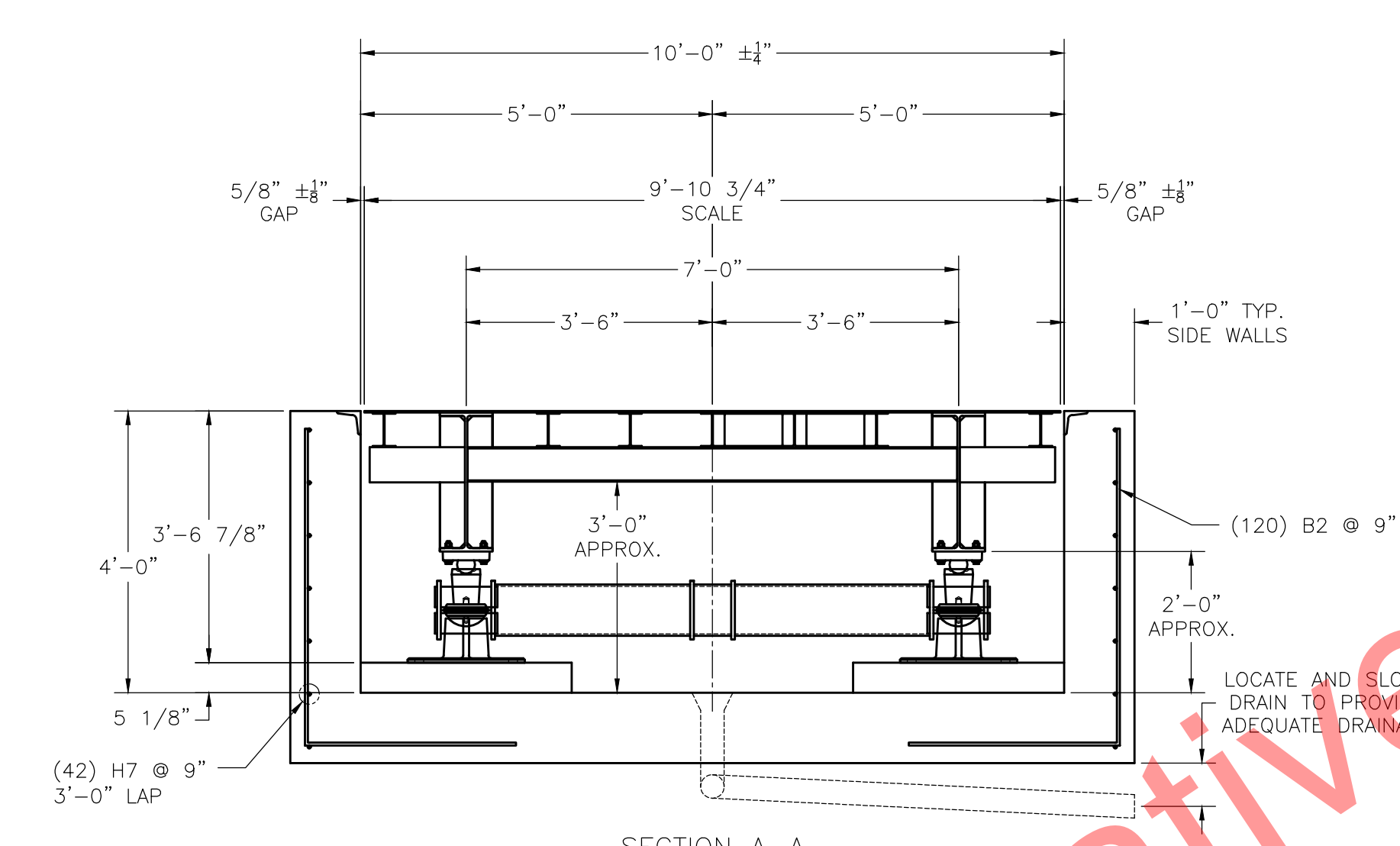
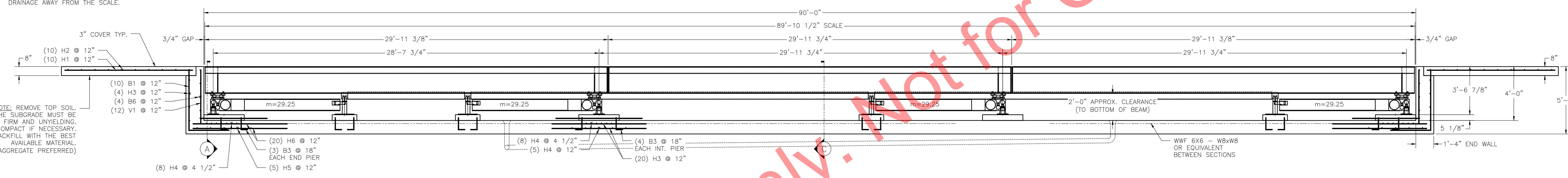


N.I.S.T. H-44 REQUIRES THAT ON THE APPROACH ENDS OF THIS VEHICLE SCALE, THERE SHALL BE A STRAIGHT APPROACH AT LEAST HALF THE LENGTH OF THE PLATFORM BUT NOT REQUIRED TO BE MORE THAN 40 FEET. NOT LESS THAN 10 FEET OF ANY APPROACH ADJACENT TO THE PLATFORM SHALL BE LEVEL AND CONSTRUCTED OF CONCRETE OR SIMILAR DURABLE MATERIAL. ANY SLOPE IN THE REMAINING PORTION OF THE APPROACH SHALL INSURE EASE OF VEHICLE ACCESS, EASE FOR TESTING PURPOSES, AND DRAINAGE AWAY FROM THE SCALE.



DRILLED TYPE ANCHOR INFORMATION

5/8" x 6" STUD TYPE ANCHORS
 DRILL DIA. 5/8"
 DRILL DEPTH 3 1/2"
 (DRILL TYPE ANCHORS ARE PROVIDED WITH THE SCALE)

FOUNDATION CONCRETE	
4000 PSI MINIMUM	
LOCATION	QTY (CU. YDS)
PIERS	1.5
FLOOR	41.5
WALLS	31.5
APPROACHES	5.0
TOTAL CONCRETE	79.5

FOUNDATION REINFORCING SCHEDULE									
ASTM 615 - GRADE 60									
REBAR B1, B2, B3		REBAR B4		REBAR B5		REBAR B6			
MARK	QTY	SIZE	LENGTH	A	B	C	WEIGHT (LBS)	REMARKS	
H1	20	#4	9'-6"				127	APPROACH - LONG.	
H2	20	#4	9'-6"				127	APPROACH - LAT.	
H3	8	#4	11'-6"				62	END WALL, O.F. - LAT.	
H4	32	#6	11'-6"				553	PIT FLOOR, TOP, SECTION - LAT.	
H5	20	#4	11'-6"				154	PIT FLOOR, BOTTOM, SECTION - LAT.	
H6	80	#4	7'-0"				375	PIT FLOOR, SECTION - LONG.	
H7	84	#4	17'-6"				982	SIDE WALLS - LONG.	
V1	24	#4	4'-0"				65	END WALL, I.F. - VERTICAL	
B1	20	#4	7'-6"	4'-6"	3'-0"		101	END WALL, O.F. - VERTICAL	
B2	240	#4	7'-6"	4'-6"	3'-0"		1203	SIDE WALL - VERTICAL	
B3	38	#4	2'-0"	1'-6"	0'-6"		51	PIERS - VERTICAL	
B4	4	#4	12'-6"	2'-6"	3'-0"	2'-0"	34	INT. PIER / SIDE WALL	
B5	4	#4	10'-0"	3'-0"	3'-0"	2'-0"	27	END PIER / SIDE WALL / END WALL	
B6	8	#4	20'-0"	10'-8"	4'-8"		107	END WALL, I.F.	
TOTAL WEIGHT							3968		
PLUS APPROX. 650 SQFT. OF WWF 6X6 - W8XW8									

- NOTES:
- FOUNDATION DESIGN IS BASED ON A MINIMUM SOIL BEARING CAPACITY OF 1500 LB/SQ. FT. FOR SOIL CONDITIONS WHICH DO NOT MEET THIS SPECIFICATION, CONSULT WITH THE THURMAN SCALE COMPANY.
 - PIT FLOOR MUST HAVE AN EFFECTIVE DRAIN SYSTEM SO THAT THE PIT FLOOR REMAINS REASONABLY DRY AND CLEAN.
 - THE TOPS OF THE PIT WALLS MUST BE ABOVE THE EXISTING GRADE LEVEL SO THAT WATER WILL DRAIN AWAY FROM THE SCALE.
 - IN AREAS OF THE COUNTRY WHERE THERE IS SEVERE FREEZING, INCREASE THE DEPTH OF THE FOUNDATION SO THAT THE BOTTOM EXTENDS BELOW THE FROST LINE, OR PROVIDE A MINIMUM OF 12" FREE DRAINING GRANULAR MATERIAL TO PREVENT FROST HEAVE.
 - REINFORCING STEEL IS TO CONFORM TO ASTM A615 GRADE 60 SPECIFICATIONS.
 - CONCRETE OF 4000 PSI MIN. COMPRESSIVE STRENGTH WITH AIR ENTRAINMENT 5-7% IS REQUIRED FOR PIT. CONSOLIDATE CONCRETE INTO POSITION BY VIBRATING.
 - PIERS MUST BE LEVEL AND IN THE SAME PLANE WITHIN ±1/8 INCH.
 - EXCAVATION, FORMS, REINFORCING STEEL, AND CONCRETE FURNISHED BY OTHERS.
 - DRILL TYPE ANCHOR BOLTS ARE RECOMMENDED. SEE SECTION B-B.
 - FOUNDATION REQUIREMENTS VARY FROM STATE TO STATE. CHECK WITH LOCAL WEIGHTS AND MEASURES DIVISION BEFORE CONSTRUCTION.

THIS DRAWING IS SUPPLIED AS CHECKED BELOW:

CUSTOMER: _____ DATE: _____

APPROVED AS DRAWN, APPROVED BY: _____ DATE: _____

APPROVED AS NOTED, APPROVED BY: _____ DATE: _____

8120E 90K CLC
 90'x10' FOUNDATION DRAWING
 4' DEEP PIT (4 SECTIONS)
 M=117

THURMAN SCALE

SCALE: VARIES
 SHEET: 1 OF 1
 DATE: 7/24/20
 DRAWING NUMBER: 92641-DP4