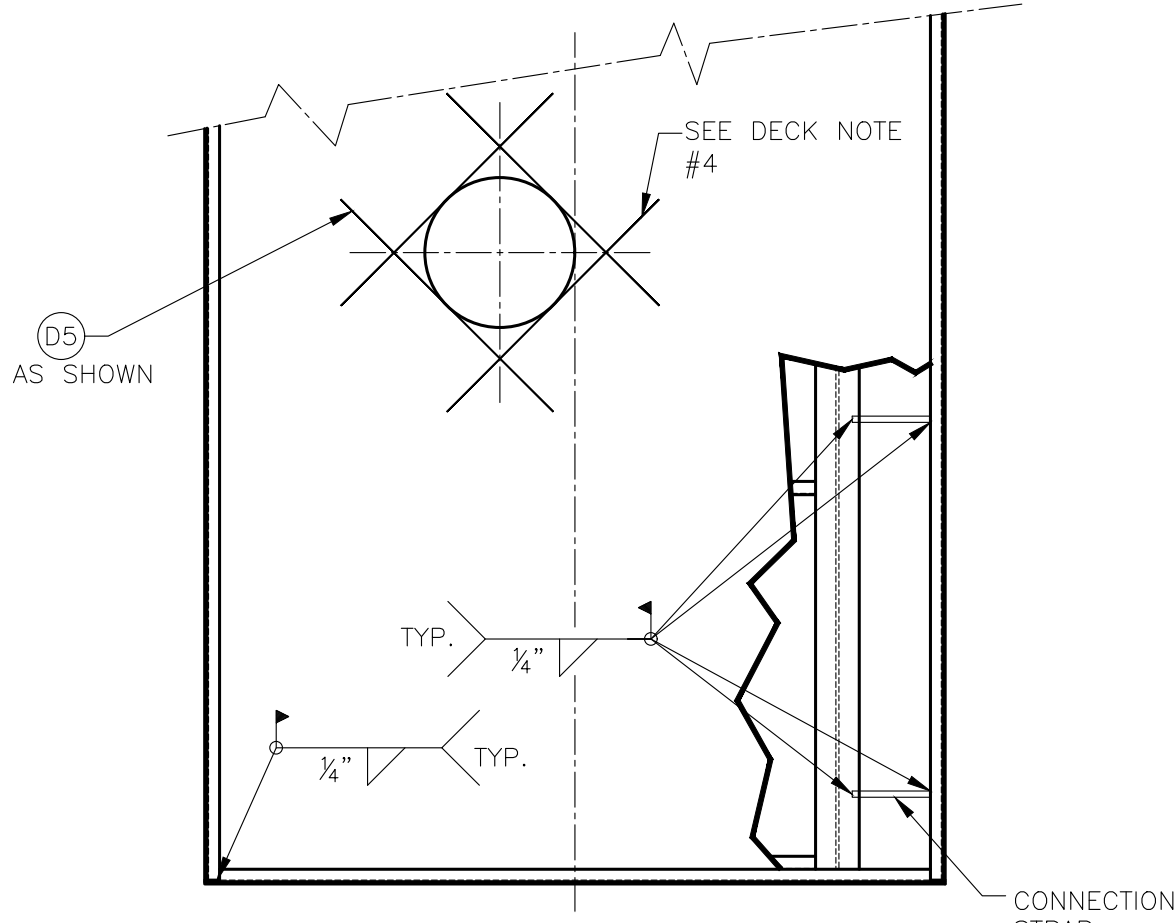


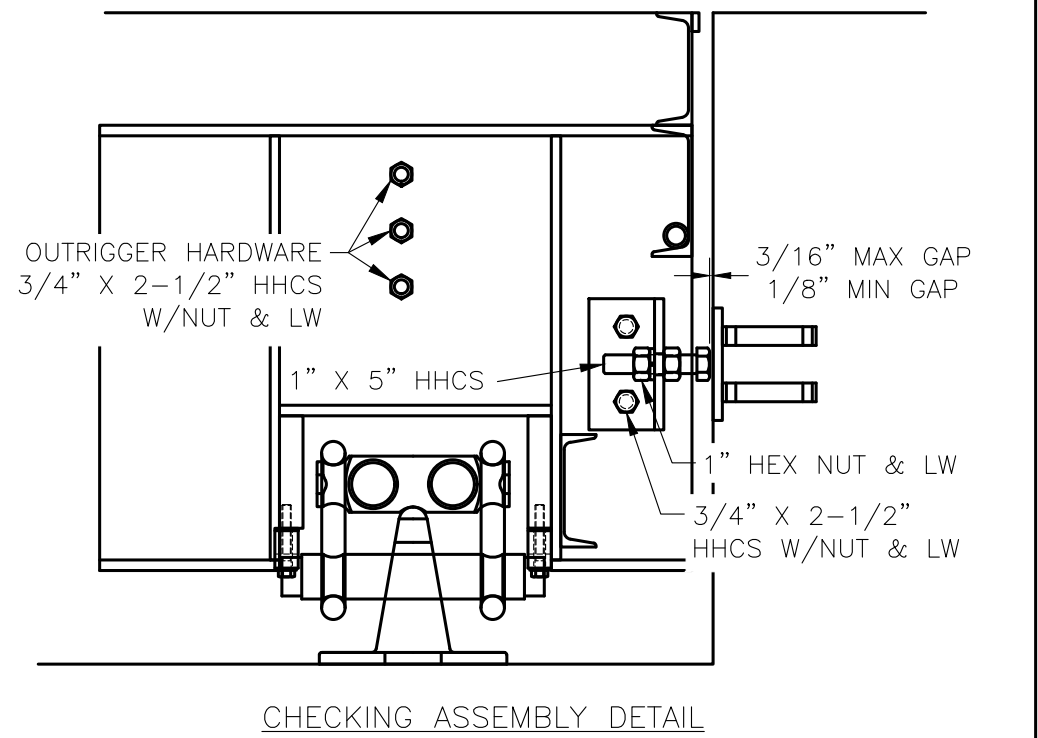
- NOTES:**
- FOUNDATION DESIGN IS BASED ON A MINIMUM SOIL BEARING CAPACITY OF 1500 LB/SQ. FT. FOR SOIL CONDITIONS WHICH DO NOT MEET THIS SPECIFICATION. CONSULT WITH THE THURMAN SCALE COMPANY.
 - PIT FLOOR MUST HAVE AN EFFECTIVE DRAIN SYSTEM SO THAT THE PIT FLOOR REMAINS REASONABLY DRY AND CLEAN.
 - THE TOPS OF THE PIT WALLS MUST BE ABOVE THE EXISTING GRADE LEVEL SO THAT WATER WILL DRAIN AWAY FROM THE SCALE.
 - IN AREAS OF THE COUNTRY WHERE THERE IS SEVERE FREEZING, INCREASE THE DEPTH OF THE FOUNDATION SO THAT THE BOTTOM EXTENDS BELOW THE FROST LINE, OR PROVIDE A MINIMUM OF 12" FREE DRAINING GRANULAR MATERIAL TO PREVENT FROST HEAVE.
 - REINFORCING STEEL IS TO CONFORM TO ASTM A615 GRADE 60 SPECIFICATIONS.
 - CONCRETE OF 4000 PSI MIN. COMPRESSIVE STRENGTH WITH AIR ENTRAINMENT 5-7% IS REQUIRED FOR PIT. CONSOLIDATE CONCRETE INTO POSITION BY VIBRATING.
 - PIERS MUST BE LEVEL AND IN THE SAME PLANE WITHIN $\pm 1/8$ INCH.
 - EXCAVATION, FORMS, REINFORCING STEEL, AND CONCRETE FURNISHED BY OTHERS.
 - DRILL TYPE ANCHOR BOLTS ARE RECOMMENDED. SEE SECTION B-B.
 - FOUNDATION REQUIREMENTS VARY FROM STATE TO STATE. CHECK WITH LOCAL WEIGHTS AND MEASURES DIVISION BEFORE CONSTRUCTION.

- DECK NOTES:**
- REINFORCING STEEL IS TO CONFORM TO ASTM A-615 GRADE 60.
 - CONCRETE OF 4000 PSI MINIMUM COMPRESSIVE STRENGTH IS REQUIRED, WITH AIR ENTRAINMENT OF 5-7 PERCENT IF SUBJECTED TO FREEZE/THAW CYCLES. CONSOLIDATE THE CONCRETE INTO PLACE BY USING A VIBRATOR.
 - CORRUGATED SHEET REQUIREMENTS: A 10' WIDE SCALE REQUIRES (5) SHEETS MIN. TO COVER THE DECK WIDTH. SHEET LENGTHS MAY VARY, BUT ENDS MUST REST OVER (OR LAP OVER) A CROSS BEAM. TACK WELD IN PLACE AS NEEDED. RECOMMENDED SHEET SIZE: 28 GA. X 30 INCH WIDE (MIN.), 3/4 INCH MAX. CORRUGATE HEIGHT (MAXIMUM PROFILE) SUPPORT SHEETING DURING POURING AND CURING AS REQUIRED.
 - MANHOLE REQUIREMENTS: MANHOLE RING & COVER (NEENAH #R06044A OR EQUIVALENT) IS REQUIRED TO GAIN ACCESS TO THE PIT, UNLESS OTHER MEANS OF ENTRY ARE PROVIDED. BEND BARS AROUND MANHOLE, DO NOT CUT.
 - REBAR, CONCRETE, CORRUGATED SHEETS AND MANHOLES ARE SUPPLIED BY OTHERS UNLESS SPECIFIED ON THE SALES ORDER.

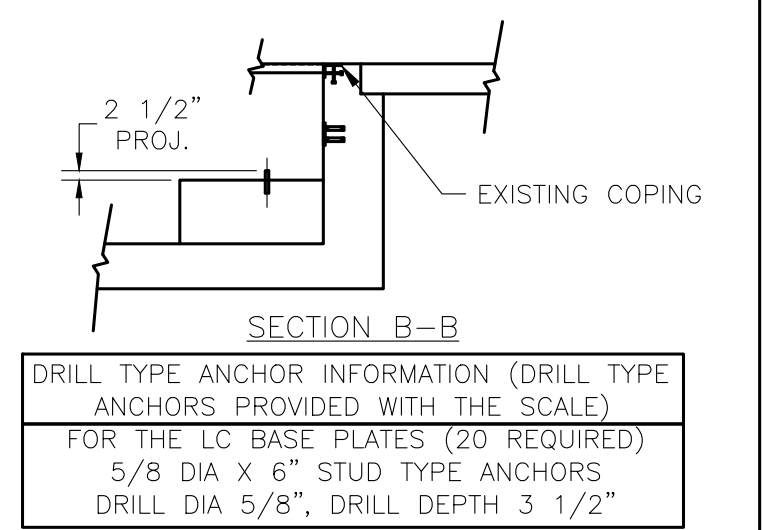


| CONCRETE REQUIREMENTS | | |
|-----------------------|--------------|------------|
| LOCATION | QTY. | (CU. YDS.) |
| FLOOR (*) | 53.5 | |
| APPROACHES/WALLS | 32.5 | |
| PIERS | 5.0 | |
| DECK | 22.5 | |
| TOTAL | 113.5 | |

(*) CONCRETE QUANTITY FOR FLOOR IS CALCULATED FOR A 12" FLOOR DEPTH



| DECK REBAR PLACEMENT SCHEDULE | | | | |
|-------------------------------|----------|------|------------------|--------------------------------|
| BAR SYM | BAR SIZE | QTY. | BAR LENGTH (LBS) | REMARKS |
| D1 | #4 | 602 | 5'-0" | 2,011 LATERAL TOP |
| D2 | #4 | 401 | 11'-6" | 3,081 LATERAL BTM |
| D3 | #4 | 50 | 20'-0" | 668 LONG. TOP; (SPlice 5 BARS) |
| D4 | #4 | 70 | 20'-0" | 936 LONG. BTM; (SPlice 5 BARS) |
| D5 | #4 | 12 | 4'-0" | 33 4 PER MH |
| D6 | #4 | 24 | 15'-0" | 241 LONG. SPLICE |
| TOTAL REBAR = | | | | 6,970 LBS |



| REBAR PLACEMENT SCHEDULE | | | | | | | |
|--|----------|---------|------------|---------|-------|---------|---|
| BARS B1, B3 | | BARS B2 | | BARS B4 | | BARS B5 | |
| BAR SYM | BAR SIZE | QTY. | BAR LENGTH | A | B | C | REMARKS |
| S1 | #4 | 20 | 11'-6" | | | | 154 LATERAL APPROACH |
| S2 | #4 | 24 | 9'-6" | | | | 153 LONG. APPROACH |
| S3 | #4 | 33 | 13'-6" | | | | 298 D.F. END WALL; LAT. BTM. FLR. |
| S4 | #4 | 70 | 20'-0" | | | | 936 LONG. SIDE WALL (SPlice 1-SB & 5-S4 BARS) |
| S5 | #6 | 45 | 13'-6" | | | | 406 LAT. TOP FLR. EA. SECTION |
| S6 | #4 | 130 | 7'-0" | | | | 608 LONG. FLOOR EA. SECTION |
| S7 | #4 | 28 | 4'-0" | | | | 75 VERT. END WALL |
| S8 | #4 | 14 | 17'-0" | | | | 159 LONG. SIDE WALL (SPlice WITH S4 BARS) |
| B1 | #4 | 292 | 7'-6" | 4'-6" | 3'-0" | | 1,463 VERT. WALLS |
| B2 | #4 | 8 | 20'-0" | 12'-8" | 3'-8" | | 107 IN END WALL |
| B3 | #4 | 36 | 2'-0" | 1'-6" | 0'-6" | | 49 (3) EA. END; (4) EA. INT. PIER |
| B4 | #4 | 6 | 14'-6" | 2'-6" | 4'-0" | 2'-0" | 59 CENTER PIER/WALL |
| B5 | #4 | 4 | 11'-0" | 3'-0" | 4'-0" | 2'-0" | 30 END PIER/WALL |
| TOTAL DECK REBAR | | | | | | | 4,497 |
| PLUS APPROX. 900 SQFT. OF WVF 6x6 - W8xW8 | | | | | | | |

THIS DRAWING IS SUPPLIED AS CHECKED BELOW:

REFERENCE (ESTIMATES ONLY, NOT FOR CONSTRUCTION)

CERTIFIED FOR CONSTRUCTION, THURMAN SERIAL#

CUSTOMER: CUSTOMER P.O.# DATE:

CUSTOMER APPROVAL, RETURN ONE COPY. (ORDER ON HOLD UNTIL SIGNED COPY IS RETURNED)

APPROVED AS DRAWN, APPROVED BY: DATE:

APPROVED AS NOTED, APPROVED BY: DATE:

| REVISIONS | | | |
|-----------|----|-----------|---------------------------|
| REV | BY | DATE | DESCRIPTION |
| 1 | RD | 8/10/2016 | REVISED LENGTH DIMENSIONS |

8510DB 90K CLC 100' x 12' 5 SECTION DESB FOUNDATION DRAWING - 4' DEEP PIT

THURMAN SCALE

SCALE: VARIES DRAWN: LDC CHECKED: SCALE: 1/2" = 1' DATE: 5/7/13 APPROVED: SCALE: 1/8" = 1' DRAWING NUMBER: 92713-DP4

MODEL: 8510