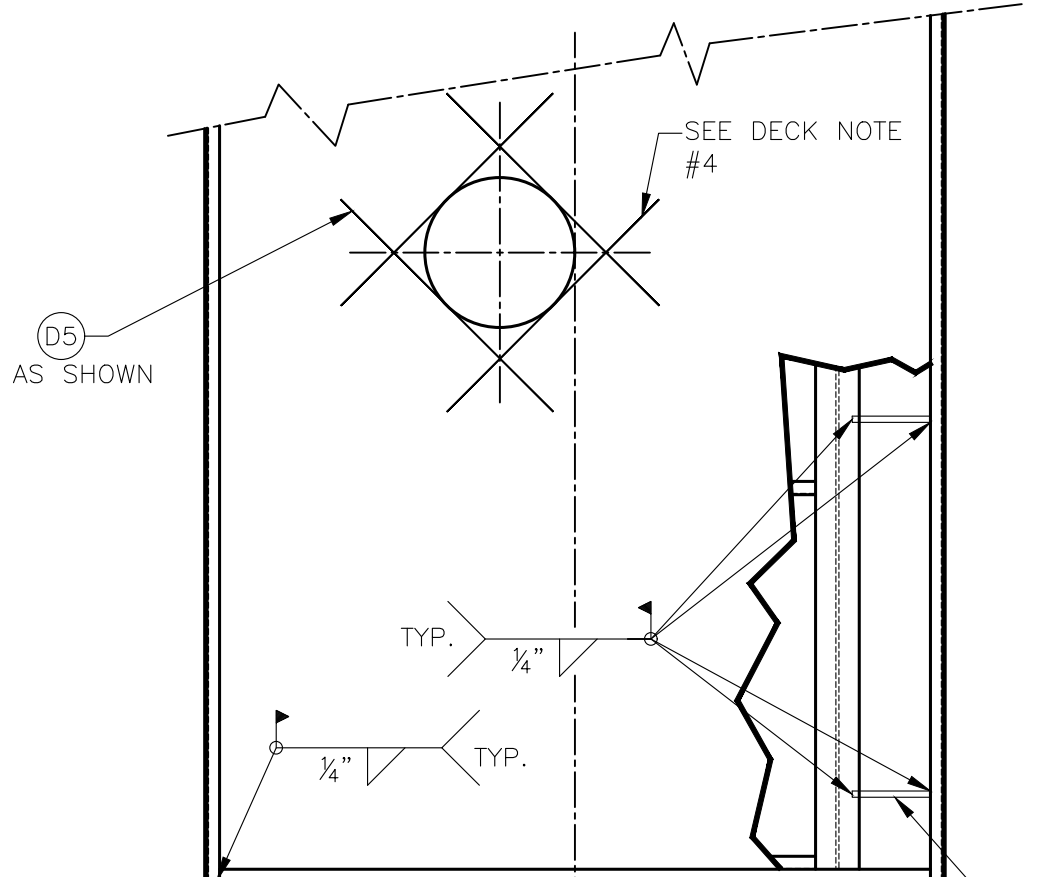
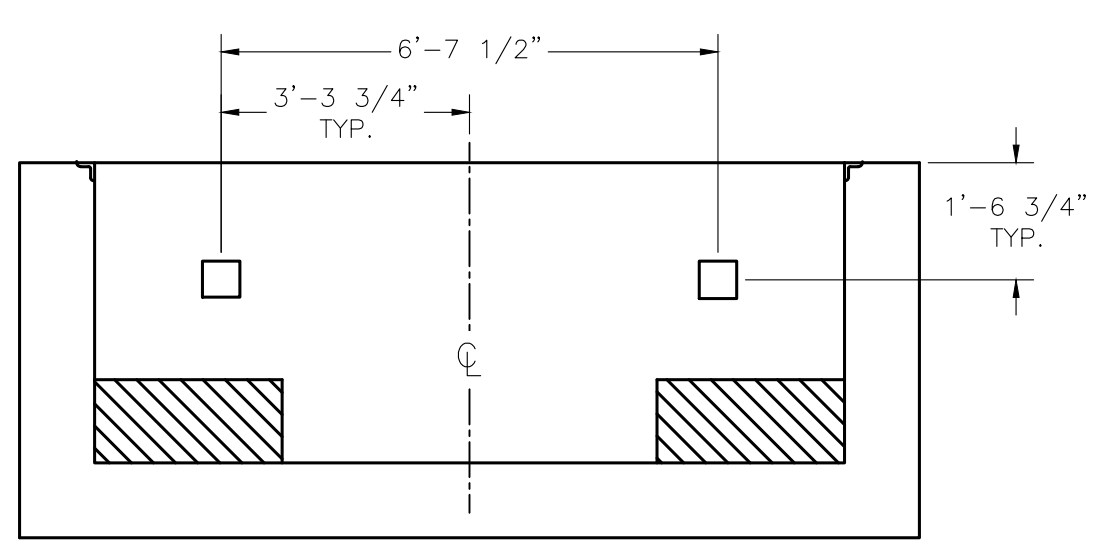
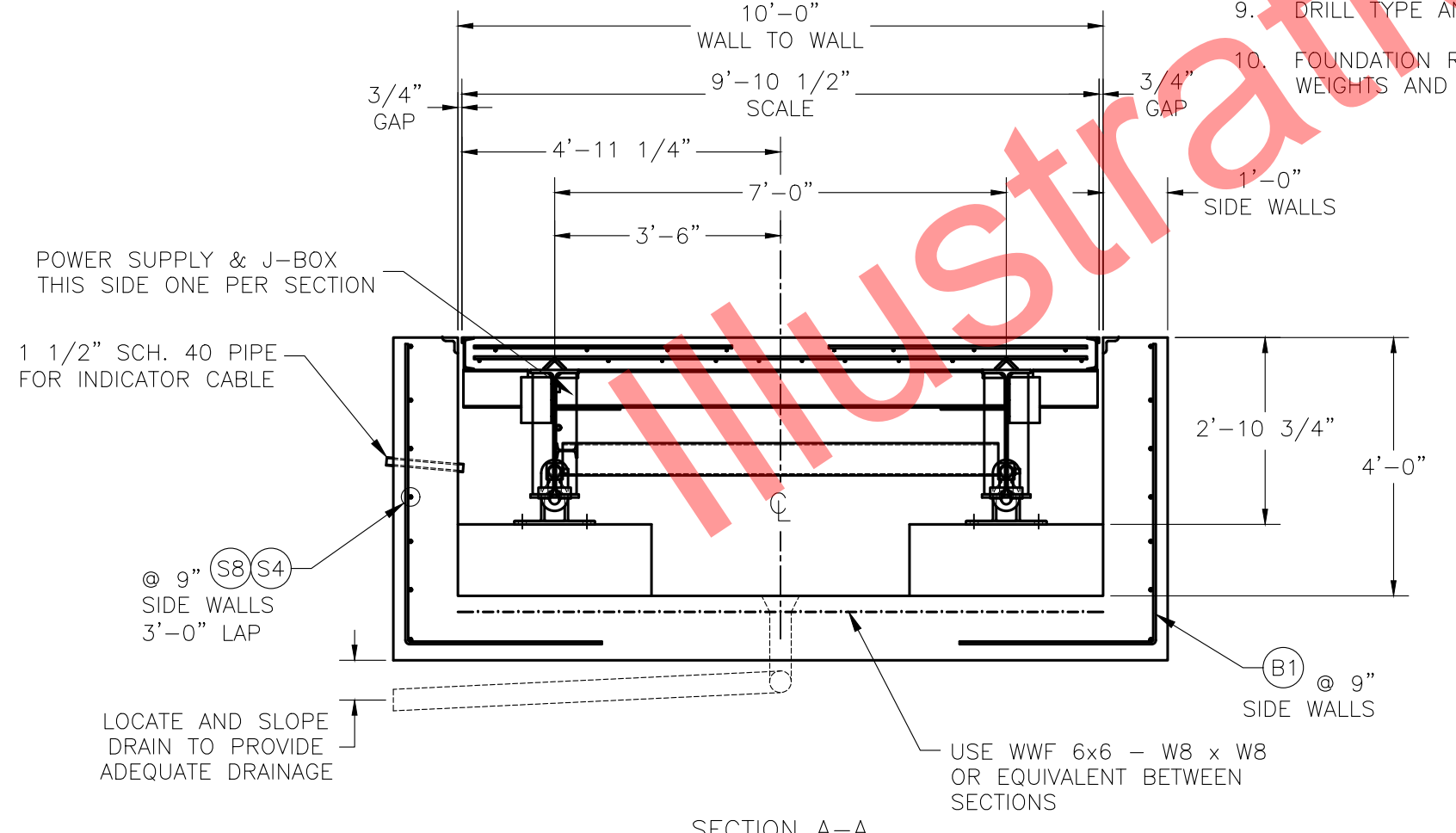
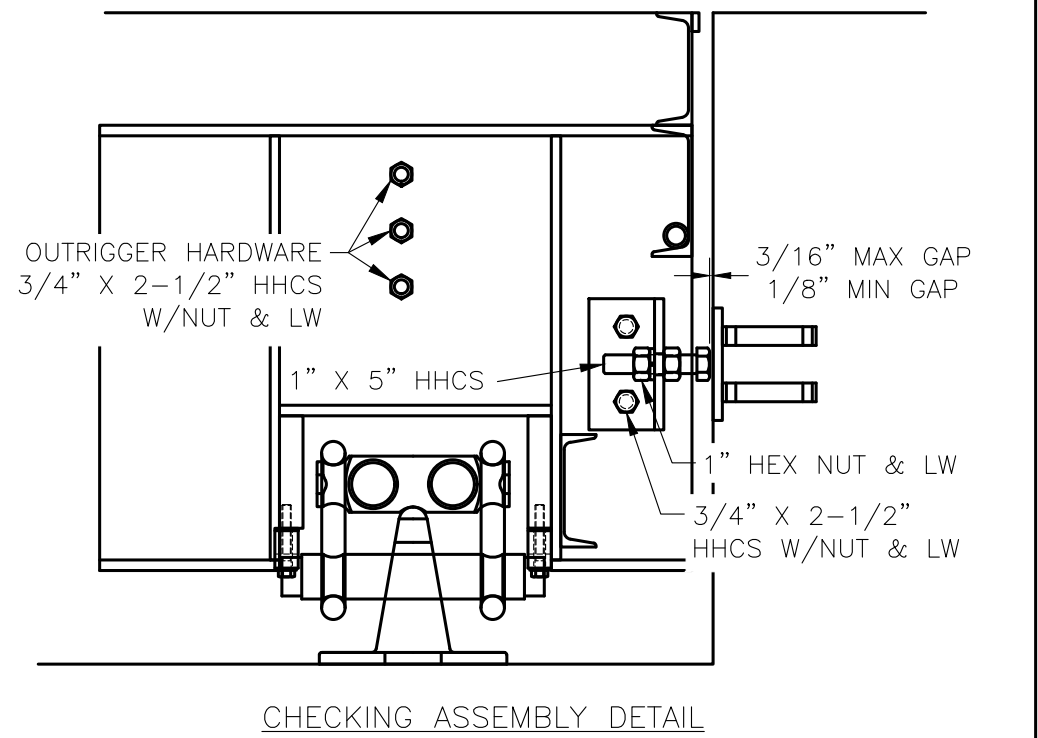


- NOTES:**
- FOUNDATION DESIGN IS BASED ON A MINIMUM SOIL BEARING CAPACITY OF 1500 LB/SQ. FT. FOR SOIL CONDITIONS WHICH DO NOT MEET THIS SPECIFICATION, CONSULT WITH THE THURMAN SCALE COMPANY.
 - PIT FLOOR MUST HAVE AN EFFECTIVE DRAIN SYSTEM SO THAT THE PIT FLOOR REMAINS REASONABLY DRY AND CLEAN.
 - THE TOPS OF THE PIT WALLS MUST BE ABOVE THE EXISTING GRADE LEVEL SO THAT WATER WILL DRAIN AWAY FROM THE SCALE.
 - IN AREAS OF THE COUNTRY WHERE THERE IS SEVERE FREEZING, INCREASE THE DEPTH OF THE FOUNDATION SO THAT THE BOTTOM EXTENDS BELOW THE FROST LINE, OR PROVIDE A MINIMUM OF 12" FREE DRAINING GRANULAR MATERIAL TO PREVENT FROST HEAVE.
 - REINFORCING STEEL IS TO CONFORM TO ASTM A615 GRADE 60 SPECIFICATIONS.
 - CONCRETE OF 4000 PSI MIN. COMPRESSIVE STRENGTH WITH AIR ENTRAINMENT 5-7% IS REQUIRED FOR PIT. CONSOLIDATE CONCRETE INTO POSITION BY VIBRATING.
 - PIERS MUST BE LEVEL AND IN THE SAME PLANE WITHIN ±1/8" INCH.
 - EXCAVATION, FORMS, REINFORCING STEEL, AND CONCRETE FURNISHED BY OTHERS.
 - DRILL TYPE ANCHOR BOLTS ARE RECOMMENDED. SEE SECTION B-B.
 - FOUNDATION REQUIREMENTS VARY FROM STATE TO STATE. CHECK WITH LOCAL WEIGHTS AND MEASURES DIVISION BEFORE CONSTRUCTION.
 - REINFORCING STEEL IS TO CONFORM TO ASTM A-615 GRADE 60.
 - CONCRETE OF 4000 PSI MINIMUM COMPRESSIVE STRENGTH IS REQUIRED, WITH AIR ENTRAINMENT OF 5-7 PERCENT IF SUBJECTED TO FREEZE/THAW CYCLES. CONSOLIDATE THE CONCRETE INTO PLACE BY USING A VIBRATOR.
 - CORRUGATED SHEET REQUIREMENTS: A 10' WIDE SCALE REQUIRES (5) SHEETS MIN. TO COVER THE DECK WIDTH. SHEET LENGTHS MAY VARY, BUT ENDS MUST REST OVER (OR LAP OVER) A CROSS BEAM. TACK WELD IN PLACE AS NEEDED. RECOMMENDED SHEET SIZE: 28 GA. X 30 INCH WIDE (MIN.), 3/4 INCH MAX. CORRUGATE HEIGHT (MAXIMUM PROFILE) SUPPORT SHEETING DURING POURING AND CURING AS REQUIRED.
 - MANHOLE REQUIREMENTS: MANHOLE RING & COVER (NEENAH #R06044A OR EQUIVALENT) IS REQUIRED TO GAIN ACCESS TO THE PIT, UNLESS OTHER MEANS OF ENTRY ARE PROVIDED. BEND BARS AROUND MANHOLE, DO NOT CUT.
 - REBAR, CONCRETE, CORRUGATED SHEETS AND MANHOLES ARE SUPPLIED BY OTHERS UNLESS SPECIFIED ON THE SALES ORDER.

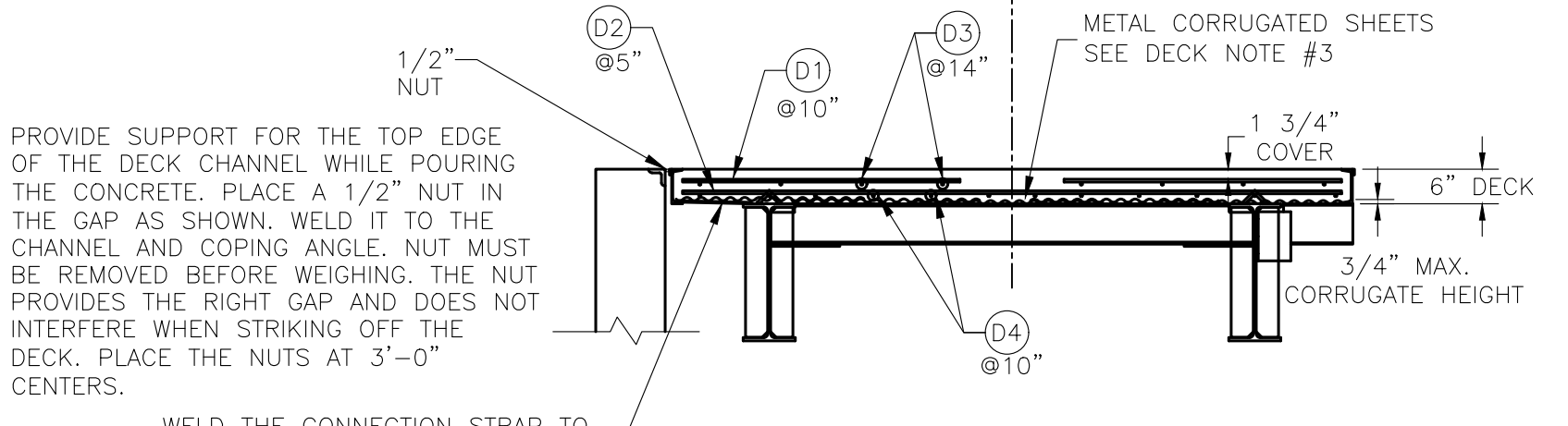


CONCRETE REQUIREMENTS		
LOCATION	QTY.	(CU. YDS.)
FLOOR (*)	15.0	
APPROACHES/WALLS	15.5	
PIERS	1.5	
DECK	6.0	
TOTAL	38.0	

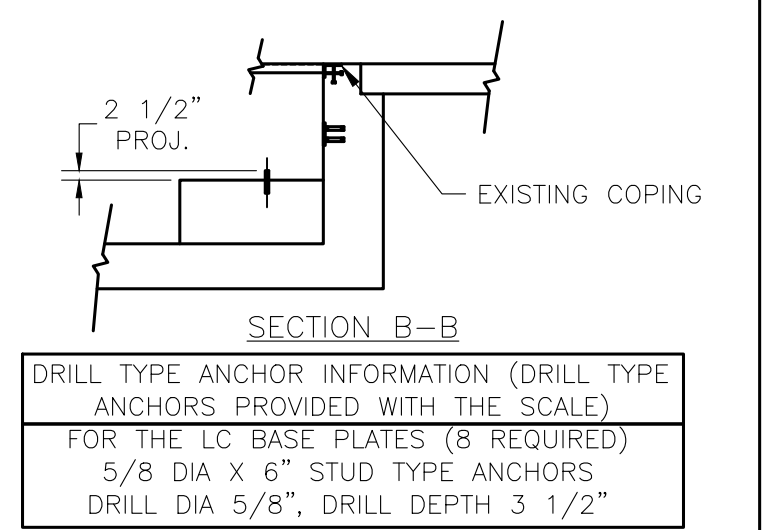
(*) CONCRETE QUANTITY FOR FLOOR IS CALCULATED FOR A 12" FLOOR DEPTH



REBAR PLACEMENT SCHEDULE									
BARS B1, B3		BARS B2		BARS B4		BARS B5			
BAR SYM	BAR SIZE	QTY.	BAR LENGTH	A	B	C	WEIGHT (LBS)	REMARKS	
S1	#4	20	9'-6"				127	LATERAL APPROACH	
S2	#4	20	9'-6"				127	LONG. APPROACH	
S3	#4	18	11'-6"				139	D.F. END WALL; LAT. BTM. FLR.	
S4	#4	14	20'-0"				188	LONG. SIDE WALL (SPlice S4 & S8)	
S5	#6	18	11'-6"				139	LAT. TOP FLR. EA. SECTION	
S6	#4	44	7'-0"				206	LONG. FLOOR EA. SECTION	
S7	#4	24	4'-0"				65	VERT. END WALL	
S8	#4	14	15'-0"				141	LONG. SIDE WALL (SPlice WITH S4 BARS)	
B1	#4	102	7'-6"	4'-6"	3'-0"		512	VERT. WALLS	
B2	#4	8	20'-0"	10'-8"	4'-8"		107	IN END WALL	
B3	#4	12	2'-0"	1'-6"	0'-6"		17	(3) EA. END PIER	
B5	#4	4	10'-0"	3'-0"	3'-0"	2'-0"	27	END PIER/WALL	
							TOTAL DECK REBAR	1,795	
PLUS APPROX. 200 SQFT. OF WWF 6x6 - W8xW8									



DECK REBAR PLACEMENT SCHEDULE				
BAR SYM	BAR SIZE	QTY.	BAR LENGTH	REMARKS
D1	#4	74	4'-0"	LATERAL TOP
D2	#4	73	9'-6"	LATERAL BTM
D3	#4	8	20'-0"	LONG. TOP
D4	#4	12	20'-0"	LONG. BTM
D5	#4	4	4'-0"	4 PER MH
D6	#4	20	13'-0"	LONG. SPLICE
TOTAL REBAR			= 1,115	LBS



THIS DRAWING IS SUPPLIED AS CHECKED BELOW:

REFERENCE (ESTIMATES ONLY, NOT FOR CONSTRUCTION)

CERTIFIED FOR CONSTRUCTION, THURMAN SERIAL#

CUSTOMER P.O.# _____ DATE: _____

CUSTOMER APPROVAL, RETURN ONE COPY. (ORDER ON HOLD UNTIL SIGNED COPY IS RETURNED)

APPROVED AS DRAWN, APPROVED BY: _____ DATE: _____

APPROVED AS NOTED, APPROVED BY: _____ DATE: _____

REVISIONS

REV	BY	DATE	DESCRIPTION
1	RD	8/10/2016	REVISED LENGTH DIMENSIONS

8510DB 90K CLC 30' x 10'

2 SECTION DESB

FOUNDATION DRAWING - 4' DEEP PIT

THURMAN SCALE

SCALE: VARIES DRAWN: LDC CHECKED: _____

SHEET: 1 OF 1 DATE: 5/6/13 APPROVED: _____

DRAWING NUMBER: 92547-DP4 REV: 1

MODEL: 8510