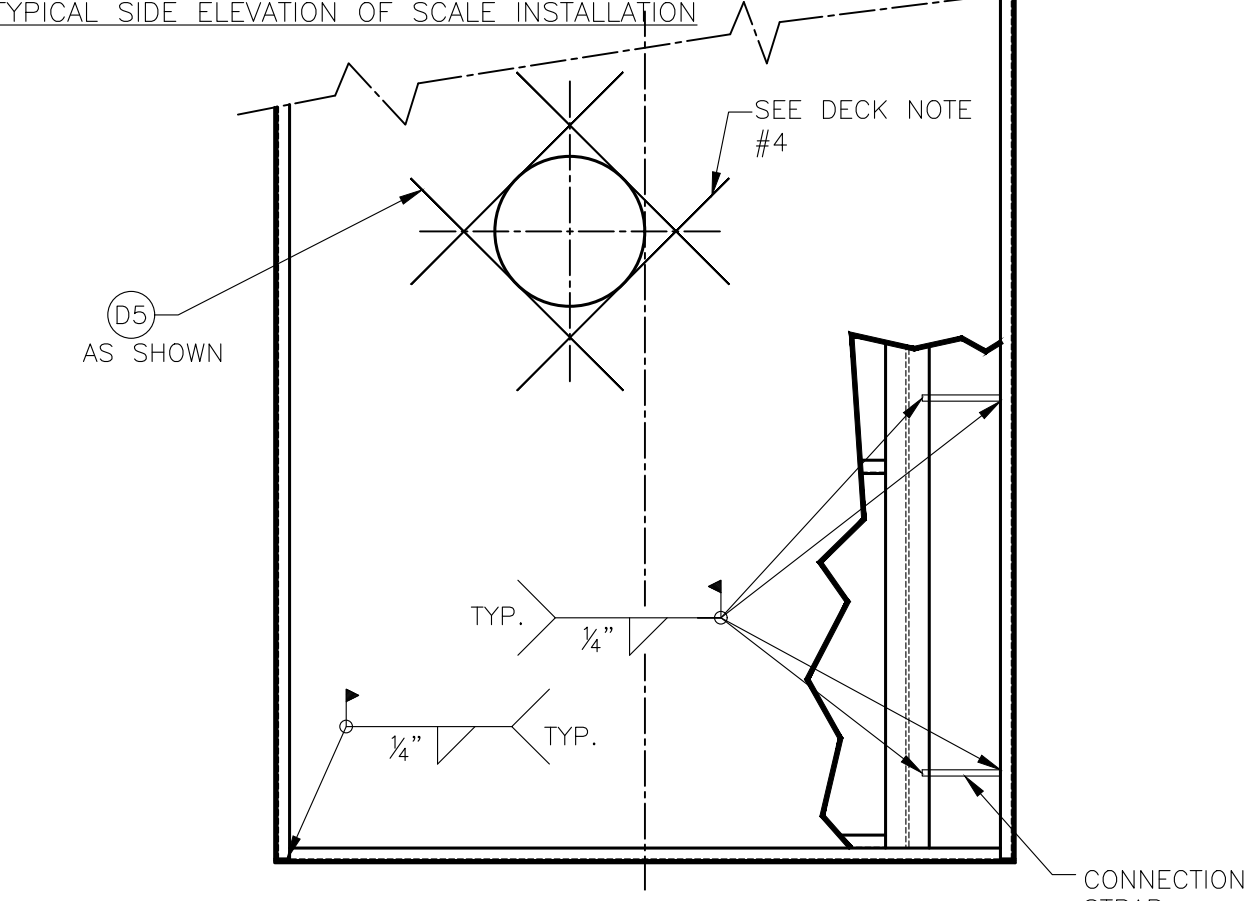


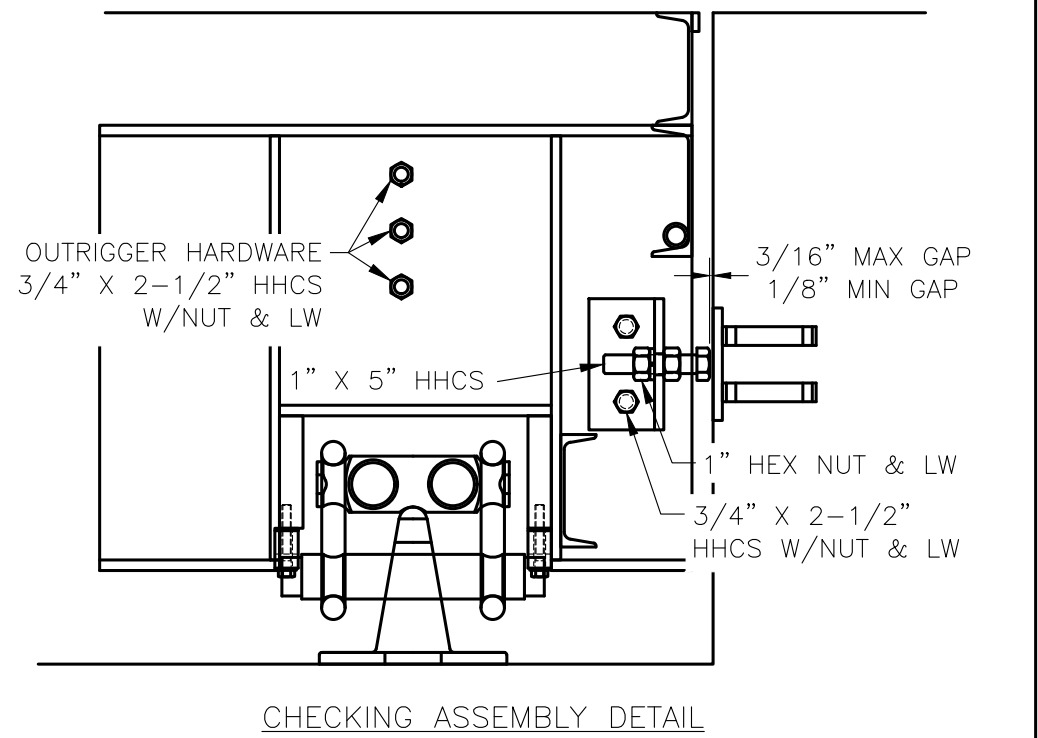
- NOTES:**
- FOUNDATION DESIGN IS BASED ON A MINIMUM SOIL BEARING CAPACITY OF 1500 LB/SQ. FT. FOR SOIL CONDITIONS WHICH DO NOT MEET THIS SPECIFICATION, CONSULT WITH THE THURMAN SCALE COMPANY.
 - PIT FLOOR MUST HAVE AN EFFECTIVE DRAIN SYSTEM SO THAT THE PIT FLOOR REMAINS REASONABLY DRY AND CLEAN.
 - THE TOPS OF THE PIT WALLS MUST BE ABOVE THE EXISTING GRADE LEVEL SO THAT WATER WILL DRAIN AWAY FROM THE SCALE.
 - IN AREAS OF THE COUNTRY WHERE THERE IS SEVERE FREEZING, INCREASE THE DEPTH OF THE FOUNDATION SO THAT THE BOTTOM EXTENDS BELOW THE FROST LINE, OR PROVIDE A MINIMUM OF 12" FREE DRAINING GRANULAR MATERIAL TO PREVENT FROST HEAVE.
 - REINFORCING STEEL IS TO CONFORM TO ASTM A615 GRADE 60 SPECIFICATIONS.
 - CONCRETE OF 4000 PSI MIN. COMPRESSIVE STRENGTH WITH AIR ENTRAINMENT 5-7% IS REQUIRED FOR PIT. CONSOLIDATE CONCRETE INTO POSITION BY VIBRATING.
 - PIERS MUST BE LEVEL AND IN THE SAME PLANE WITHIN ±1/8 INCH.
 - EXCAVATION, FORMS, REINFORCING STEEL, AND CONCRETE FURNISHED BY OTHERS.
 - DRILL TYPE ANCHOR BOLTS ARE RECOMMENDED. SEE SECTION B-B.
 - FOUNDATION REQUIREMENTS VARY FROM STATE TO STATE. CHECK WITH LOCAL WEIGHTS AND MEASURES DIVISION BEFORE CONSTRUCTION.

- DECK NOTES:**
- REINFORCING STEEL IS TO CONFORM TO ASTM A-615 GRADE 60.
 - CONCRETE OF 4000 PSI MINIMUM COMPRESSIVE STRENGTH IS REQUIRED, WITH AIR ENTRAINMENT OF 5-7 PERCENT IF SUBJECTED TO FREEZE/THAW CYCLES. CONSOLIDATE THE CONCRETE INTO PLACE BY USING A VIBRATOR.
 - CORRUGATED SHEET REQUIREMENTS: A 10' WIDE SCALE REQUIRES (5) SHEETS MIN. TO COVER THE DECK WIDTH. SHEET LENGTHS MAY VARY, BUT ENDS MUST REST OVER (OR LAP OVER) A CROSS BEAM. TACK WELD IN PLACE AS NEEDED. RECOMMENDED SHEET SIZE: 28 GA. X 30 INCH WIDE (MIN.), 3/4 INCH MAX. CORRUGATE HEIGHT (MAXIMUM PROFILE) SUPPORT SHEETING DURING POURING AND CURING AS REQUIRED.
 - MANHOLE REQUIREMENTS: MANHOLE RING & COVER (NEENAH #R06044A OR EQUIVALENT) IS REQUIRED TO GAIN ACCESS TO THE PIT, UNLESS OTHER MEANS OF ENTRY ARE PROVIDED. BEND BARS AROUND MANHOLE, DO NOT CUT.
 - REBAR, CONCRETE, CORRUGATED SHEETS AND MANHOLES ARE SUPPLIED BY OTHERS UNLESS SPECIFIED ON THE SALES ORDER.



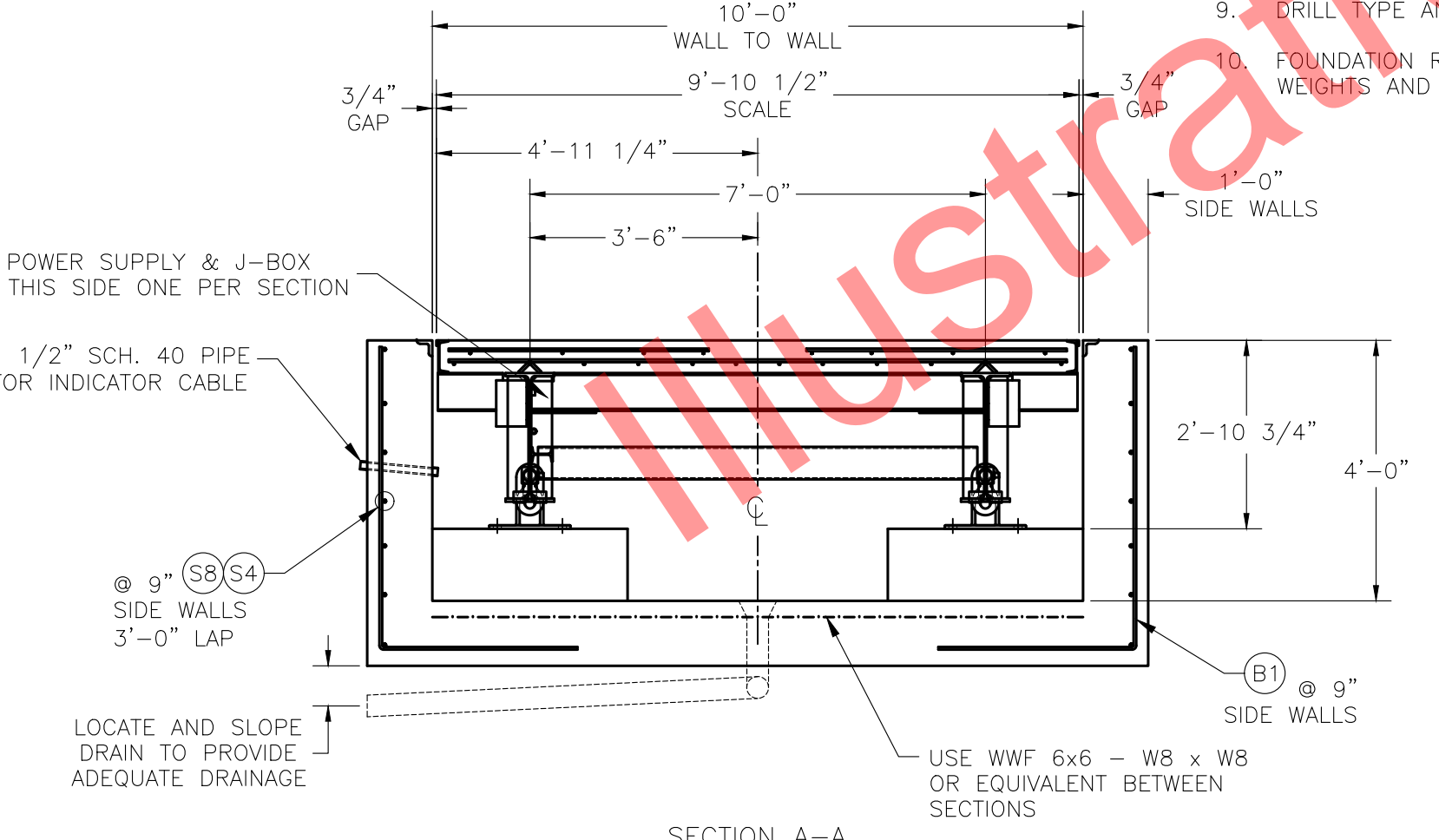
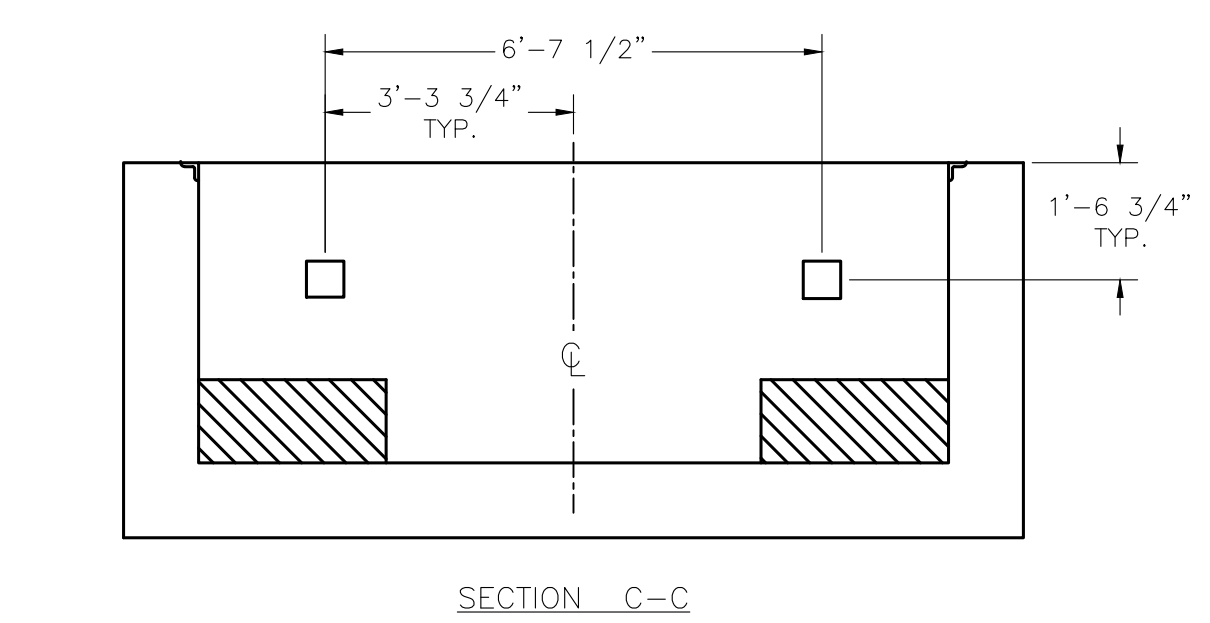
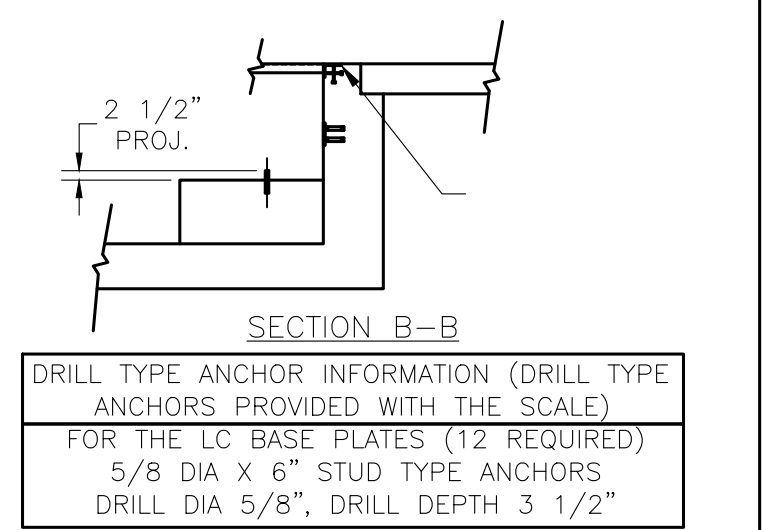
CONCRETE REQUIREMENTS

LOCATION	QTY. (CU. YDS.)
FLOOR (*)	23.5
APPROACHES/WALLS	20.0
PIERS	2.5
DECK	9.5
TOTAL	55.5



DECK REBAR PLACEMENT SCHEDULE

BAR SYM	BAR SIZE	QTY.	BAR LENGTH	WEIGHT (LBS)	REMARKS
D1	#4	122	4'-0"	326	LATERAL TOP
D2	#4	121	9'-6"	768	LATERAL BTM
D3	#4	16	20'-0"	214	LONG. TOP; (SPLICE 2 BARS)
D4	#4	24	20'-0"	321	LONG. BTM; (SPLICE 2 BARS)
D5	#4	8	4'-0"	22	4 PER MH
D6	#4	20	16'-0"	214	LONG. SPLICE
TOTAL REBAR = 1,865 LBS					



REBAR PLACEMENT SCHEDULE

BAR SYM	BAR SIZE	QTY.	BAR LENGTH	A	B	C	WEIGHT (LBS)	REMARKS
S1	#4	20	9'-6"				127	LATERAL APPROACH
S2	#4	20	9'-6"				127	LONG. APPROACH
S3	#4	23	11'-6"				177	D.F. END WALL; LAT. BTM. FLR.
S4	#4	28	20'-0"				375	LONG. SIDE WALL (SPLICE 1-S8 & 2-S4 BARS)
S5	#6	27	11'-6"				208	LAT. TOP FLR. EA. SECTION
S6	#4	66	7'-0"				309	LONG. FLOOR EA. SECTION
S7	#4	24	4'-0"				65	VERT. END WALL
S8	#4	14	18'-0"				169	LONG. SIDE WALL (SPLICE WITH S4 BARS)
B1	#4	154	7'-6"	4'-6"	3'-0"		772	VERT. WALLS
B2	#4	8	20'-0"	10'-8"	4'-8"		107	IN END WALL
B3	#4	20	2'-0"	1'-6"	0'-6"		27	(3) EA. END; (4) EA. INT. PIER
B4	#4	2	12'-6"	2'-6"	3'-0"	2'-0"	17	CENTER PIER/WALL
B5	#4	4	10'-0"	3'-0"	3'-0"	2'-0"	27	END PIER/WALL
TOTAL DECK REBAR 2,507								
PLUS APPROX. 350 SQFT. OF WWF 6x6 - W8xW8								

THIS DRAWING IS SUPPLIED AS CHECKED BELOW:

REFERENCE (ESTIMATES ONLY, NOT FOR CONSTRUCTION)

CERTIFIED FOR CONSTRUCTION, THURMAN SERIAL#

CUSTOMER P.O.# DATE:

CUSTOMER APPROVAL, RETURN ONE COPY. (ORDER ON HOLD UNTIL SIGNED COPY IS RETURNED)

APPROVED AS DRAWN, APPROVED BY: DATE:

APPROVED AS NOTED, APPROVED BY: DATE:

REVISIONS

REV	BY	DATE	DESCRIPTION
1	RD	8/10/2016	REVISED LENGTH DIMENSIONS

8510DB 90K CLC 50' x 10'

3 SECTION DESB

FOUNDATION DRAWING - 4' DEEP PIT

THURMAN SCALE

SCALE: VARS DRAWN: LDC CHECKED: []

SHEET: 1 OF 1 DATE: 5/6/13 APPROVED: []

DRAWING NUMBER: 92548-DP4 REV: []

MODEL: 8510