

TS-3200 CONSOLE INSTRUMENT

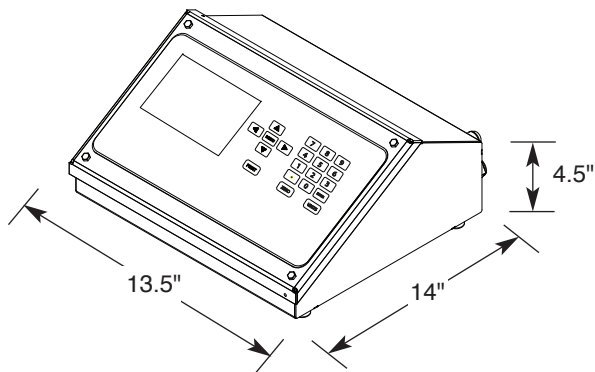


Thurman Scale's TS-3200 Console Instrument features a state-of-the-art scale monitoring and operator alert system that maximizes scale accuracy and uptime.

FEATURES

- Inbound/outbound, gross, net, tare or highway system weighing
- Built-in report writer
- Internal load cell diagnostics
- Easy-to-follow scale testing and calibration menus
- High-speed processor that can interface with control systems and data management systems
- Easy-to-read, 5.5" backlit display
- Available with high-speed digital or analog communications

DIMENSIONS



SPECIFICATIONS

Model number	TS-3200
Display	4.72" x 3.54" LCD, LED backlit graphics
Displayed characters	0.20"
Display resolution	10,000 divisions commercial; 20,000 divisions for non-commercial
Capacity	Programmable to 999,999
Displayed units	16 programmable options
Division size	0.0001 to 50
Enclosure	NEMA 12, stainless steel
Power requirements	100 to 130 VAC or 200 to 260 VAC; 50/60 Hz; 1 amp max. at 115 VAC
Accuracy	Class III/IIIL
Product files	500
Field names	10 field names, all traceable in transaction record
Customer ID	400 stored customer files each with four lines of data, up to 31 characters per line
Stored tares	200
Transaction records	7900+
Operation modes	Gross-Tare-Net, Inbound/Outbound, Highway System, Client/Server
Reports	Two transaction reports are customer programmable to generate any or all portions of a transaction record in a prioritized order for printing
Keyboard	Oversized keypad, nine function keys 0-9 and decimal point
Clock	Real time clock, day of the week, 12-hour am/pm, month/day/year date, auto daylight savings
Number of cells	Maximum of 10-350 ohm or 16-1,000 ohm cells
Serial Inputs/Outputs for all models	COM 2, COM 3 & COM 4 = RS232C; Dedicated 20mA optically isolated remote display interface passive
Redundant backup	Standard flash memory card for restoring calibration, configuration and transaction information
Peripheral devices	Ticket printer; tape printer; form printer; remote display; traffic lights
Accessories	TCP/IP interface, serial expansion card
Approvals	NTEP CC# 11-051, ETL, MC# AM-5825

At A Glance™

Models and specifications subject to change without notice.
Printed in the USA. © Thurman Scale

www.thurmanscale.com

Call toll-free for the Thurman representative nearest you:

(800) 688-9741