

# REMOTE DISPLAY

## 218 RF SERIES



Thurman Scale's high-intensity LED remote display is designed for high-readability in all lighting conditions with viewing distances up to 300 feet.

### DESIGNED TO WITHSTAND THE ELEMENTS

Thurman's 218 RF Series remote displays are made to perform in the harsh, real-world environments that trucking applications demand. Wet, dirty, dusty, hot, cold — outdoor conditions do not matter to the 218 RF, it just keeps on displaying. With a unique learning ability, the 218 RF is compatible with every known scale instrument that has continuous output capability.

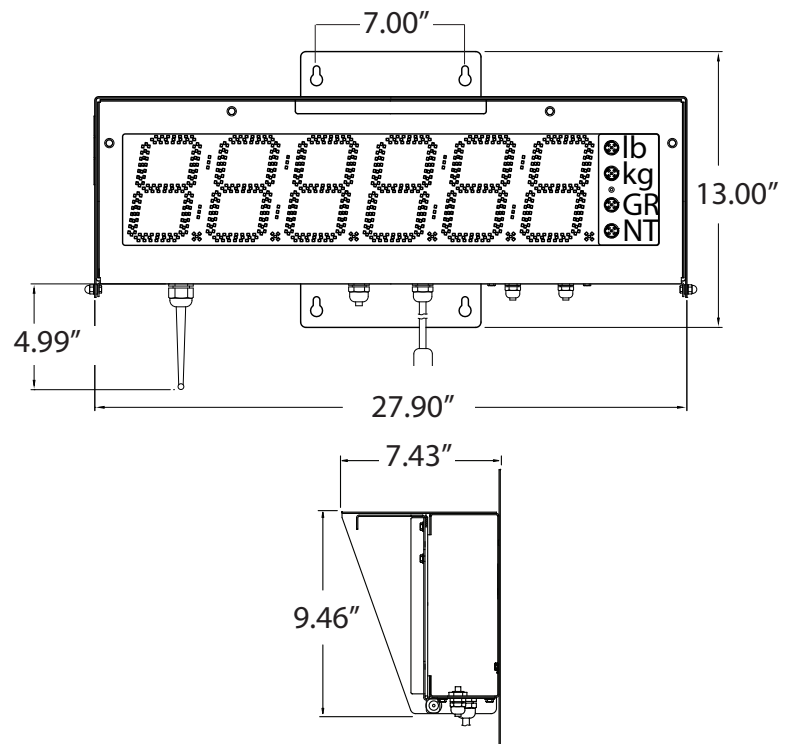
### 218 RF FEATURES

- Bright red, high-intensity LED with 5.0" characters
- NEMA 3 rated enclosure for outdoor use
- Auto intensity sensor that automatically adjusts display brightness for existing lighting conditions
- Gross and Net legends (GR-NT)
- Lb and kg legends
- Wireless RS232
- Programmable learning interface
- Time and date capability (standard)
- Optional temperature module

### SPECIFICATIONS

|                                 |   |
|---------------------------------|---|
| Display type . . . . .          | High-intensity, light emitting diode (LED)                      |
| Digit color/size . . . . .      | Bright red, 5.0"  |
| LED life expectancy . . . . .   | More than 11 years  |
| Time/Date functions . . . . .   | Standard  |
| Power . . . . .                 | 117 VAC +/- 15% 50/60 Hz, 100 mA                                |
| Storage Temperature . . . . .   | 0° F to 150° F  |
| Interface to RF modem . . . . . | RS232   |
| Enclosure material . . . . .    | Painted steel, black, powder coat                               |
| Enclosure rating . . . . .      | NEMA 3  |
| Viewing distance . . . . .      | Up to 300 feet  |
| RF Range . . . . .              | Indoors - up to 300 feet;<br>Outdoors - up to 1000 feet         |
| Mounting options . . . . .      | Pole or wall mount (see accessories below)                      |
| Humidity . . . . .              | 0% to 95% non-condensing  |
| Shipping weight . . . . .       | 35 lbs  |
| Accessories . . . . .           | Optional temperature module;<br>Pole and pole mounting hardware |

### DIMENSIONS



### At A Glance™

Models and specifications subject to change without notice.  
 Printed in the USA. © Thurman Scale  
[www.thurmanscale.com](http://www.thurmanscale.com)

Call toll-free for the Thurman representative nearest you:  
**(800) 688-9741**